

Tumble Dryer

345 Liters (16 Kilograms) Capacity
With Full/Flex Control
Refer to Page 3 for Model Numbers

Parts

Table of Contents

Title	Page
Parts Ordering Information	2
Serial Plate Location	2
Model Identification	3
Front Panel Assembly	4
Filter Panel Assembly	6
Flex/Full Control Components	8
Cabinet - Heat Pump Models	10
Cabinet - Gas, Steam and Electric Models (Drawing 1 of 2)	12
Cabinet - Gas, Steam and Electric Models (Drawing 2 of 2)	14
Drum Assembly	16
Door Assembly	18
Door Assembly - Double Layer Door	20
Electric Heat Components	22
Gas Heat Components - Models Through Serial No. 16T014291QB	24
Gas Heat Components - Models Starting Serial No. 16T014292QB (Drawing 1 of 2)	26
Gas Heat Components - Models Starting Serial No. 16T014292QB (Drawing 2 of 2)	28
Steam Heat Components	30
Heat Pump (Drawing 1 of 2)	32
Heat Pump (Drawing 2 of 2)	34
Frequency Inverter Panel	36
Heat Pump Rinsing System	38
Exhaust	40
Drive System	42
Fan Housing Assembly	44
Electric Box Components - Heat Pump Models	46
Electric Box Components - Electric Models	48
Electric Box Components - Gas and Steam Models	50
Under Pressure Clutch	52
Heat Pump Booster	54
Humidity Sensor	56
WiFi Connection	58
Ventilator - Heat Pump Models	60
Parts Index	63

© Copyright 2023, Alliance Laundry Systems LLC

All rights reserved. No part of the contents of this book may be reproduced or transmitted in any form or by any means without the expressed written consent of the publisher.

Parts Ordering Information

If literature or replacement parts are required, contact the source from whom the machine was purchased or contact Alliance Laundry Systems at (920) 748-3950 for the name and address of the nearest authorized parts distributor.

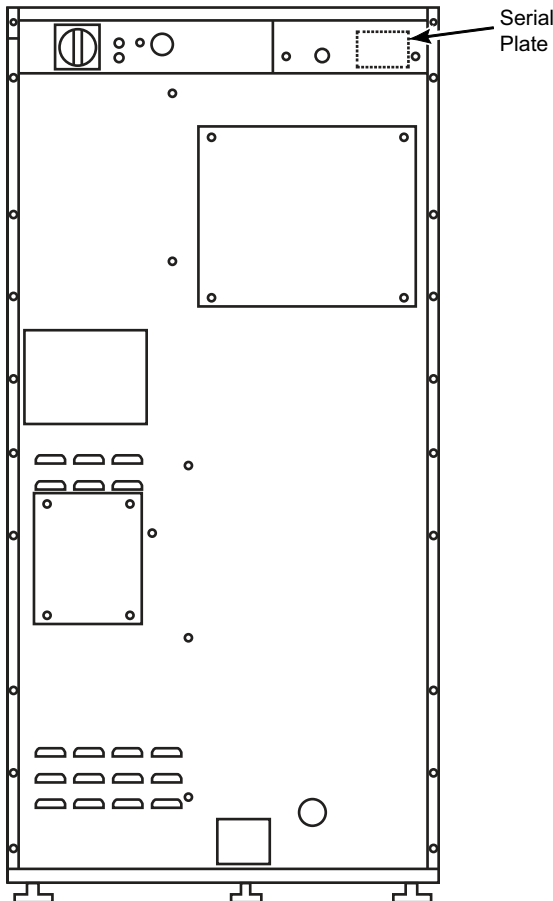
For technical assistance, call the number listed below:

(920) 748-3121 Ripon, Wisconsin

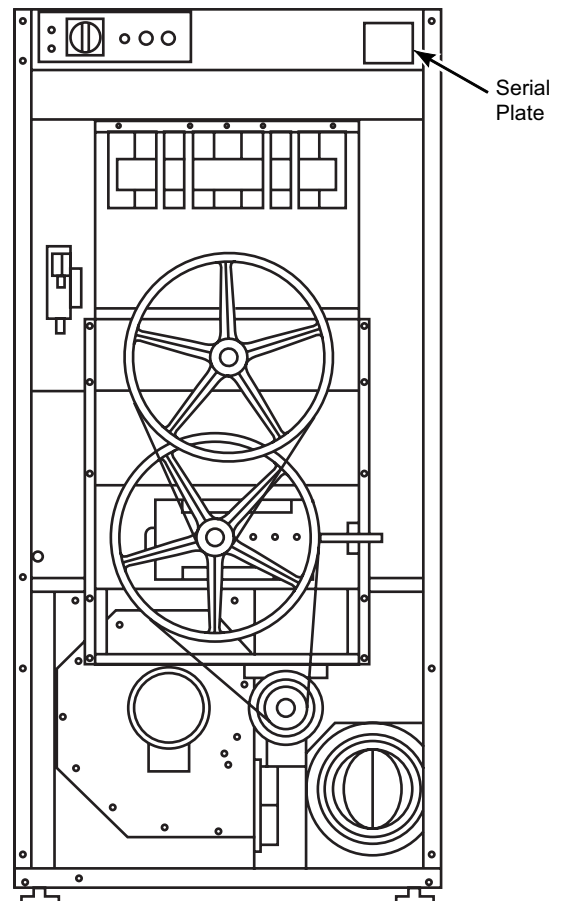
Serial Plate Location

When calling or writing about your product, be sure to mention model and serial numbers. Model and serial numbers are located on serial plate(s).

HEAT PUMP



GAS, STEAM AND ELECTRIC



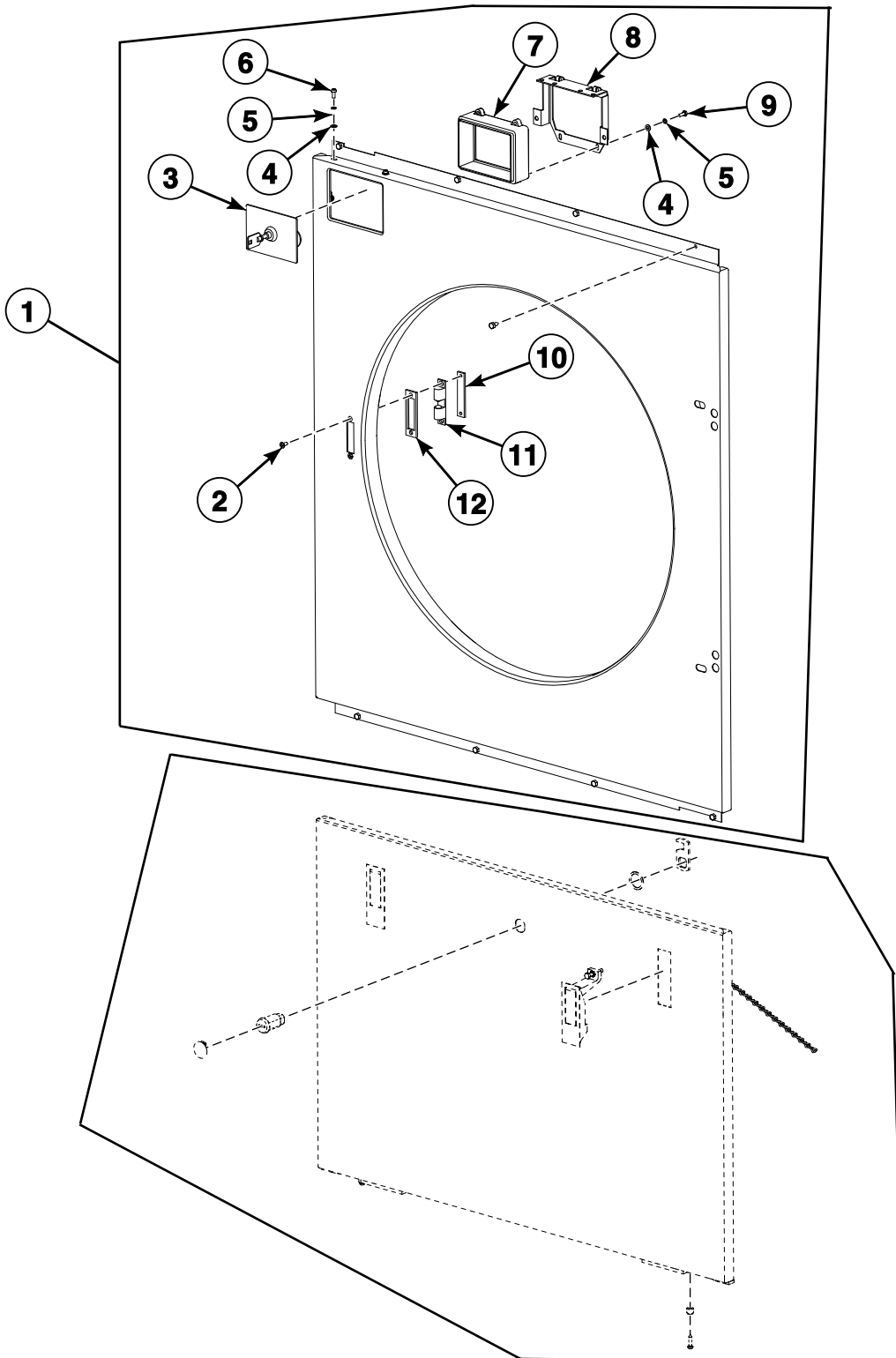
TMB3403P_D2445

Model Identification

Information in this manual is applicable to these tumbler models:

I345_FULL	IU345ZF	NC345ZF	PE345LF	SE345SF	UH345EF
IDR345	IX345EF	NE345EF	PE345MF	SE345TF	UH345FF
IHP345_FLEX	IX345FF	NE345FF	PE345NF	SE345WF	UH345HF
LS350_FULL	IX345HF	NE345LF	PE345SF	SH345EF	UH345LF
LS350HP_PROFESSIONAL	IX345LF	NE345MF	PE345TF	SH345FF	UH345MF
SDR345	IX345MF	NE345NF	PE345WF	SH345HF	UH345NF
SHP345_FLEX	IX345NF	NE345SF	PH345EF	SH345LF	UH345SF
SWT16	IX345SF	NE345TF	PH345FF	SH345MF	UH345TF
SWT16HP	IX345TF	NE345WF	PH345HF	SH345NF	UH345WF
T16_FULL	IX345WF	NH345EF	PH345LF	SH345SF	UH345ZF
T16HP_FULL	IX345ZF	NH345FF	PH345MF	SH345TF	UU345EF
T16VP_FULL	LC345EF	NH345HF	PH345NF	SH345ZF	UU345FF
UDR345	LC345HF	NH345LF	PH345SF	SH345WF	UU345HF
UHP345_FLEX	LC345LF	NH345MF	PH345TF	SU345EF	UU345MF
IC345EF	LC345MF	NH345NF	PH345WF	SU345FF	UU345SF
IC345FF	LC345NF	NH345SF	PH345ZF	SU345HF	UU345WF
IC345HF	LC345SF	NH345TF	PU345EF	SU345MF	UU345ZF
IC345LF	LC345TF	NH345WF	PU345FF	SU345SF	UX345EF
IC345MF	LC345WF	NH345ZF	PU345HF	SU345WF	UX345FF
IC345NF	LH345EF	NU345EF	PU345MF	SU345ZF	UX345HF
IC345SF	LH345HF	NU345FF	PU345SF	SX345EF	UX345LF
IC345TF	LH345LF	NU345HF	PU345WF	SX345FF	UX345MF
IC345WF	LH345MF	NU345MF	PU345ZF	SX345HF	UX345NF
IC345ZF	LH345NF	NU345SF	PX345EF	SX345LF	UX345SF
IE345EF	LH345SF	NU345WF	PX345FF	SX345MF	UX345TF
IE345FF	LH345TF	NU345ZF	PX345HF	SX345NF	UX345WF
IE345HF	LH345WF	NX345EF	PX345LF	SX345SF	UX345ZF
IE345LF	LU345EF	NX345FF	PX345MF	SX345TF	
IE345MF	LU345HF	NX345HF	PX345NF	SX345WF	
IE345NF	LU345MF	NX345LF	PX345SF	SX345ZF	
IE345SF	LU345SF	NX345MF	PX345TF	UC345EF	
IE345TF	LU345WF	NX345NF	PX345WF	UC345FF	
IE345WF	LX345EF	NX345SF	PX345ZF	UC345HF	
IH345EF	LX345HF	NX345TF	SC345EF	UC345LF	
IH345FF	LX345LF	NX345WF	SC345FF	UC345MF	
IH345HF	LX345MF	NX345ZF	SC345HF	UC345NF	
IH345LF	LX345NF	PC345EF	SC345LF	UC345SF	
IH345MF	LX345SF	PC345FF	SC345MF	UC345TF	
IH345NF	LX345TF	PC345HF	SC345NF	UC345WF	
IH345SF	LX345WF	PC345LF	SC345SF	UC345ZF	
IH345TF	NC345EF	PC345MF	SC345TF	UE345EF	
IH345WF	NC345FF	PC345NF	SC345WF	UE345FF	
IH345ZF	NC345HF	PC345SF	SC345ZF	UE345HF	
IU345EF	NC345LF	PC345TF	SE345EF	UE345LF	
IU345FF	NC345MF	PC345WF	SE345FF	UE345MF	
IU345HF	NC345NF	PC345ZF	SE345HF	UE345NF	
IU345MF	NC345SF	PE345EF	SE345LF	UE345SF	
IU345SF	NC345TF	PE345FF	SE345MF	UE345TF	
IU345WF	NC345WF	PE345HF	SE345NF	UE345WF	

Front Panel Assembly

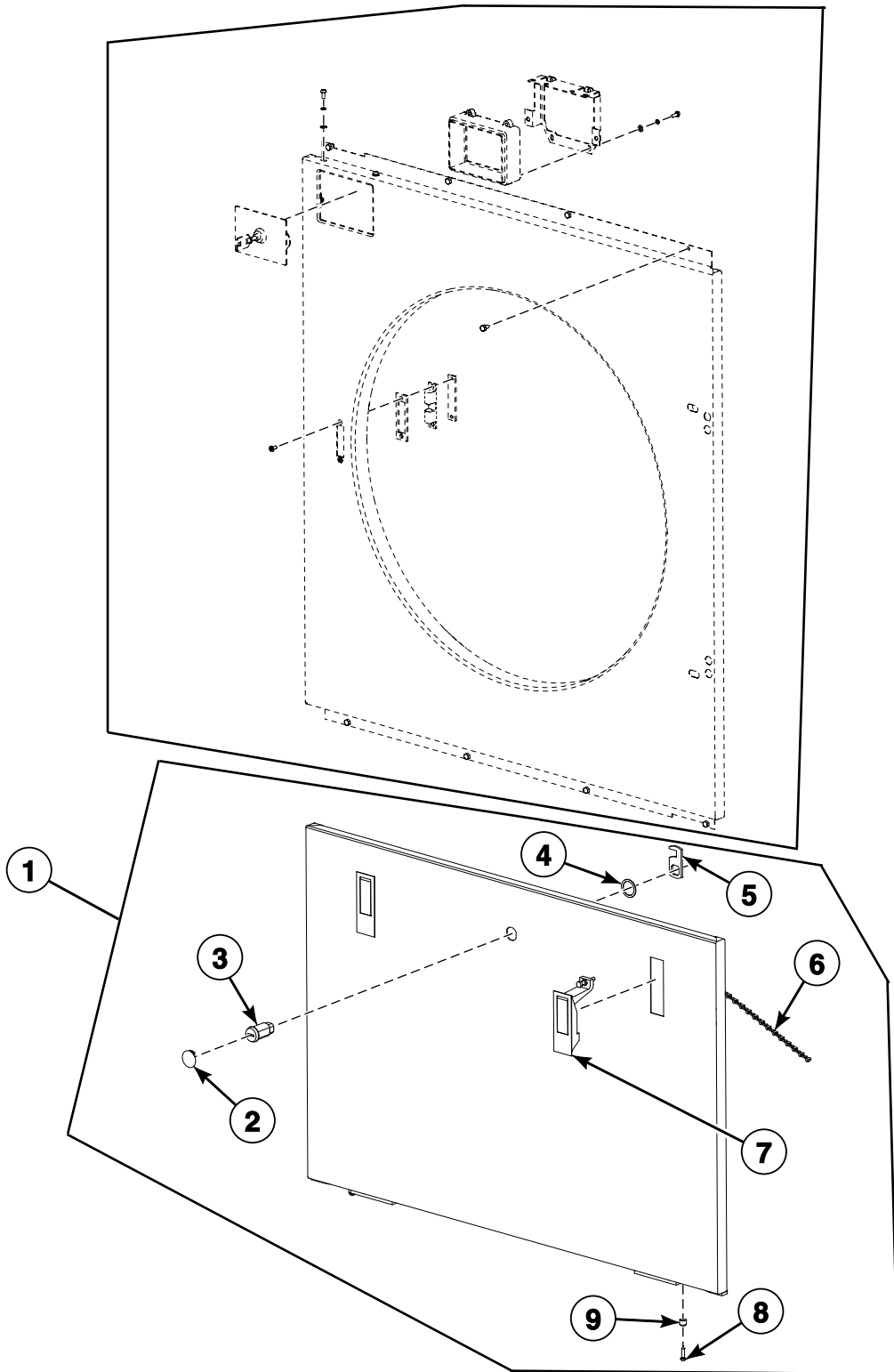


TMB3337P_D2446

Front Panel Assembly

REF	PART NO.	DESCRIPTION	COMMENTS
1	SP530621	Front Panel Assembly	U models; I models starting Serial No.16T014342QD; S models starting 1/1/2021; Includes items 2-12; Imitation stainless steel
	SP559831	Front Panel Assembly	I and LS350HP_PROFESSIONAL models through Serial No.16T014341QD; S models through 12/31/2020; Includes items 2-12; White
	SP555996	Front Panel Assembly	L, N, P and T models; Includes items 2-12; Gray
	SP530620	Front Panel Assembly	Includes items 2-12; Stainless steel
	SP530623	Front Panel Assembly	U models; I models starting Serial No.16T014342QD; S models starting 1/1/2021; Includes items 2-12; Coin; Right door; Imitation stainless steel
	SP559832	Front Panel Assembly	I and LS350HP_PROFESSIONAL models through Serial No.16T014341QD; S models through 12/31/2020; Includes items 2-12; Coin; Right door; White
	SP555997	Front Panel Assembly	L, N, P and T models; Includes items 2-12; Coin; Right door; Gray
	SP530622	Front Panel Assembly	Includes items 2-12; Coin; Right door; Stainless steel
	SP545543	Front Panel Assembly	U models; I models starting Serial No.16T014342QD; S models starting 1/1/2021; Includes items 2-12; Coin; Left door; Imitation stainless steel
	SP559833	Front Panel Assembly	I and LS350HP_PROFESSIONAL models through Serial No.16T014341QD; S models through 12/31/2020; Includes items 2-12; Coin; Left door; White
	SP555998	Front Panel Assembly	L, N, P and T models; Includes items 2-12; Coin; Left door; Gray
	SP545542	Front Panel Assembly	Includes items 2-12; Coin; Left door; Stainless steel
2	SP309966240410	Bolt	
3	SP515291	Coin Vault Cover	Coin
4	SP311125000004	Washer	
5	SP311127000004	Washer	
6	SP515075	Bolt	
7	SP501514	Coin Vault Frame	Coin
8	SP524394	Coin Vault Frame Bracket	Coin
9	SP309933240412	Bolt	
10	SP514906	Washer	
11	SP514530	Latch	
12	SP524366	Washer	

Filter Panel Assembly

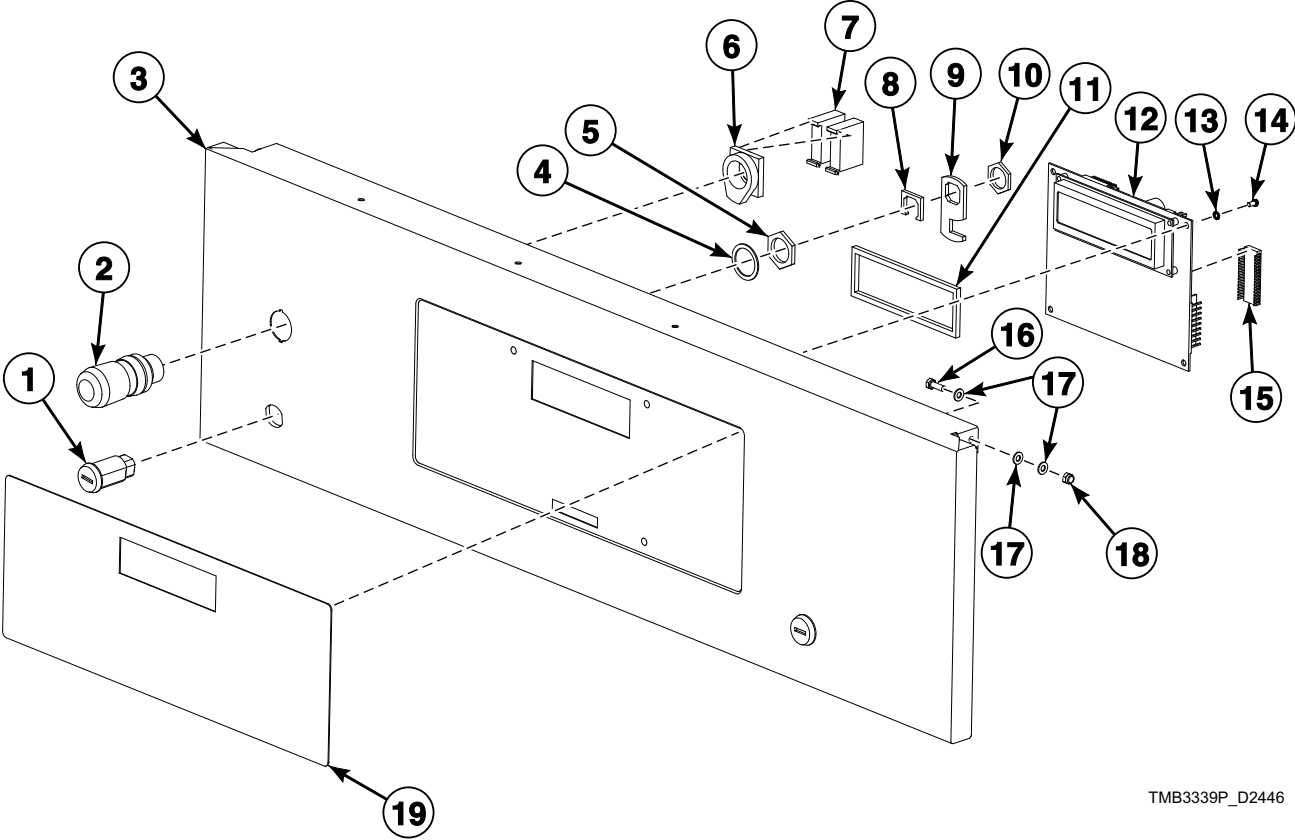


TMB3337PA_D2446

Filter Panel Assembly

REF	PART NO.	DESCRIPTION	COMMENTS
1	SP530631	Filter Panel Assembly	U models; I models starting Serial No.16T014342QD; S models starting 1/1/2021; Includes items 2-9; Imitation stainless steel
	SP559827	Filter Panel Assembly	I and LS350HP_PROFESSIONAL models through Serial No.16T014341QD;Smodels through 12/31/2020;Includes items 2-9; White
	SP555961	Filter Panel Assembly	L, N, P and T models; Includes items 2-9; Gray
	SP530630	Filter Panel Assembly	Includes items 2-9; Stainless steel
	SP530634	Filter Panel Assembly	U models; I models starting Serial No.16T014342QD; S models starting 1/1/2021; Includes items 2-9; With lock; Imitation stainless steel
	SP559828	Filter Panel Assembly	I and LS350HP_PROFESSIONAL models through Serial No.16T014341QD;Smodels through 12/31/2020;Includes items 2-9; With lock; White
	SP555962	Filter Panel Assembly	L, N, P and T models; Includes items 2-9; With lock; Gray
	SP530633	Filter Panel Assembly	Includes items 2-9; With lock; Stainless steel
	2	SP345900025012	Plug
3	SPPRI610000007	Lock	
4	SPPRI522000012	Washer	
5	SPPRI610001007	Lock Hook	
6	SP521266	Chain	
7	SP521221	Lock	
8	SP520407	Screw	
9	SP520408	Pin Insertion	

Flex/Full Control Components

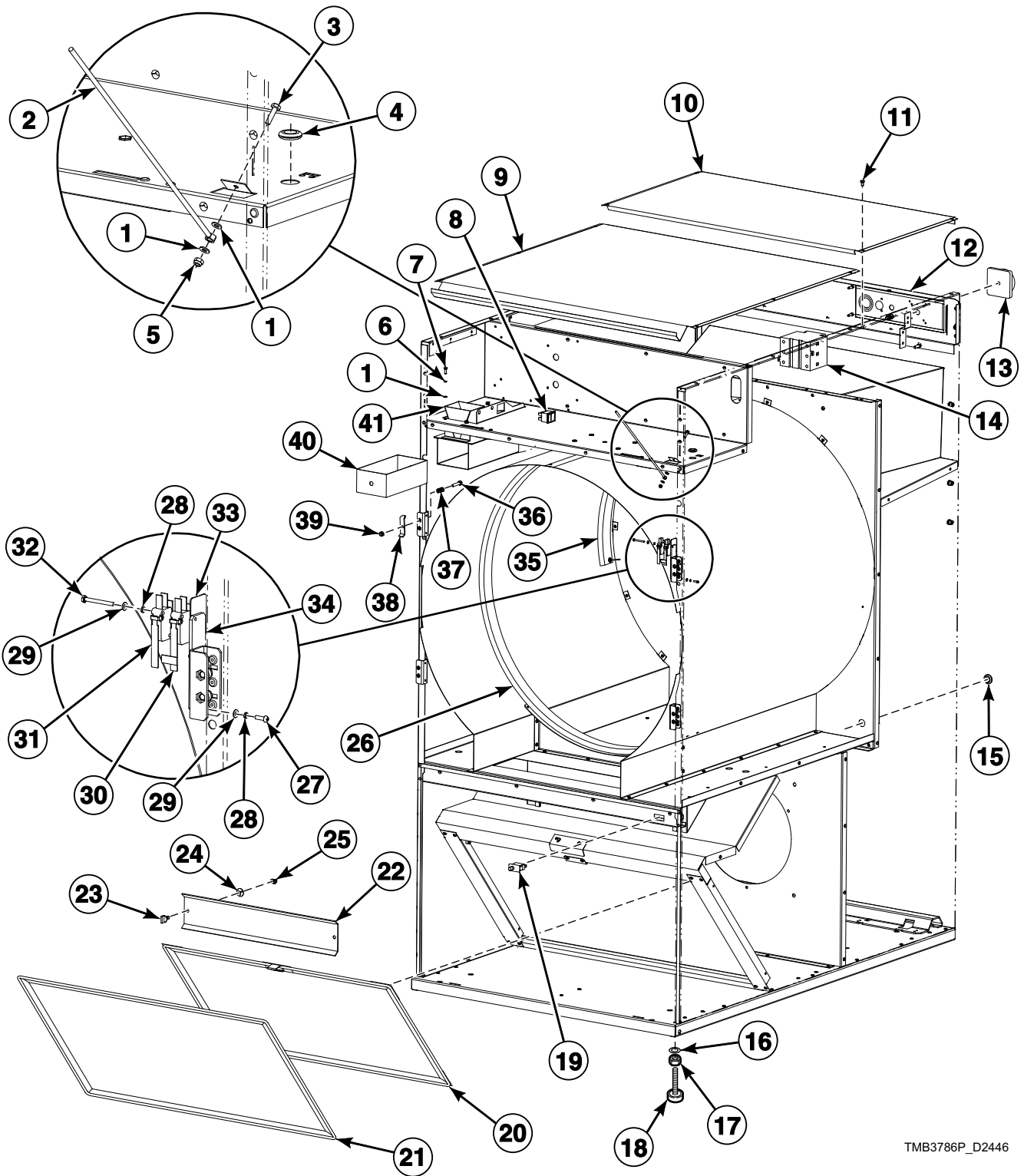


TMB3339P_D2446

Flex/Full Control Components

REF	PART NO.	DESCRIPTION	COMMENTS
	SP560115	Control Panel Assembly	U models; Includes items 1-19; Imitation stainless steel
	SP559884	Control Panel Assembly	U models; Includes items 1-19; Stainless steel
	SP560117	Control Panel Assembly	I and LS350HP_PROFESSIONAL models; Includes items 1-19; White; Through Serial No.16T014341QD
	574514	Control Panel Assembly	I models; Includes items 1-19; Imitation stainless steel; Starting Serial No.16T014342QD
	SP559885	Control Panel Assembly	I, L and N models; Includes items 1-19; Stainless steel
	571930	Control Panel Assembly	L and N models; Includes items 1-19; Gray; Starting 6/14/2019
	SP559883	Control Panel Assembly	S models; Includes items 1-19; White; Through 12/31/2020
	SP559886	Control Panel Assembly	S models; Includes items 1-19; Stainless steel
	575431	Control Panel Assembly	S models starting 1/1/2021; Includes items 1-19; Imitation stainless steel
	SP560101	Control Panel Assembly	P and T models; Includes items 1-19; Gray; L and N models through Serial No.16T014341QD
	SP560116	Control Panel Assembly	P and T models; Includes items 1-19; Stainless steel; L and N models through Serial No.16T014341QD
	SP560118	Control Panel Assembly	P and T models; Includes items 1-19; Black; Through Serial No.16T014341QD
1	SPPRI610000007	Lock	
2	SP528310	Emergency Stop Knob	
3	SP560111	Control Panel	U models; Imitation stainless steel; I models starting Serial No.16T014342QD; S models starting 1/1/2021
	SP560113	Control Panel	I, LS350HP_PROFESSIONAL and S models; White; Through 12/31/2020
	SP560106	Control Panel	L, N, P and T models; Gray
	SP560114	Control Panel	P and T models; Black
	SP560112	Control Panel	Stainless steel
4	SPPRI522000012	Washer	
5	SPPRI610005007	Nut	
6	SP528311	Emergency Stop Connector	
7	SP528312	Switching Unit	
8	SP529082	Shim	
9	SPPRI610001007	Lock Hook	
10	SPPRI610006007	Nut	
11	SP101275	Gasket	
12	SP556608	Control Board	I, L, N, P and T models; Gray
	SP102457	Control Board	S and U models; Green
13	SP311679800003	Washer	
14	SP309798500306	Bolt	
15	SP526001	Memory	Empty without software version
	102471	Memory	Models without heat pump; Includes SP526001 Memory and EN, CZ, DE, FR, NL, ES, IT, DK, NO software language version
	102472	Memory	Models without heat pump; Includes SP526001 Memory and EN, CZ, RU, SL, HR, HU, PL, BG, RO, TR software language version
	545269	Memory	Models with heat pump; Includes SP526001 Memory and EN, CZ, DE, FR, NL, ES, IT, DK, NO software language version
	545270	Memory	Models with heat pump; Includes SP526001 Memory and EN, CZ, RU, SL, HR, HU, PL, BG, RO, TR software language version
	572334	Memory	Models with heat pump and frequency inverter; Includes SP526001 Memory and EN, CZ, DE, FR, NL, ES, IT, DK, NO software language version
	572335	Memory	Models with heat pump and frequency inverter; Includes SP526001 Memory and EN, CZ, RU, SL, HR, HU, PL, BG, RO, TR software language version
16	SP309933240412	Bolt	
17	SP311125000004	Washer	
18	SP514193	Nut	
19	SP559863	Overlay	U models
	SP559864	Overlay	I, N and S models
	SP556100	Overlay	L, P and T models

Cabinet - Heat Pump Models

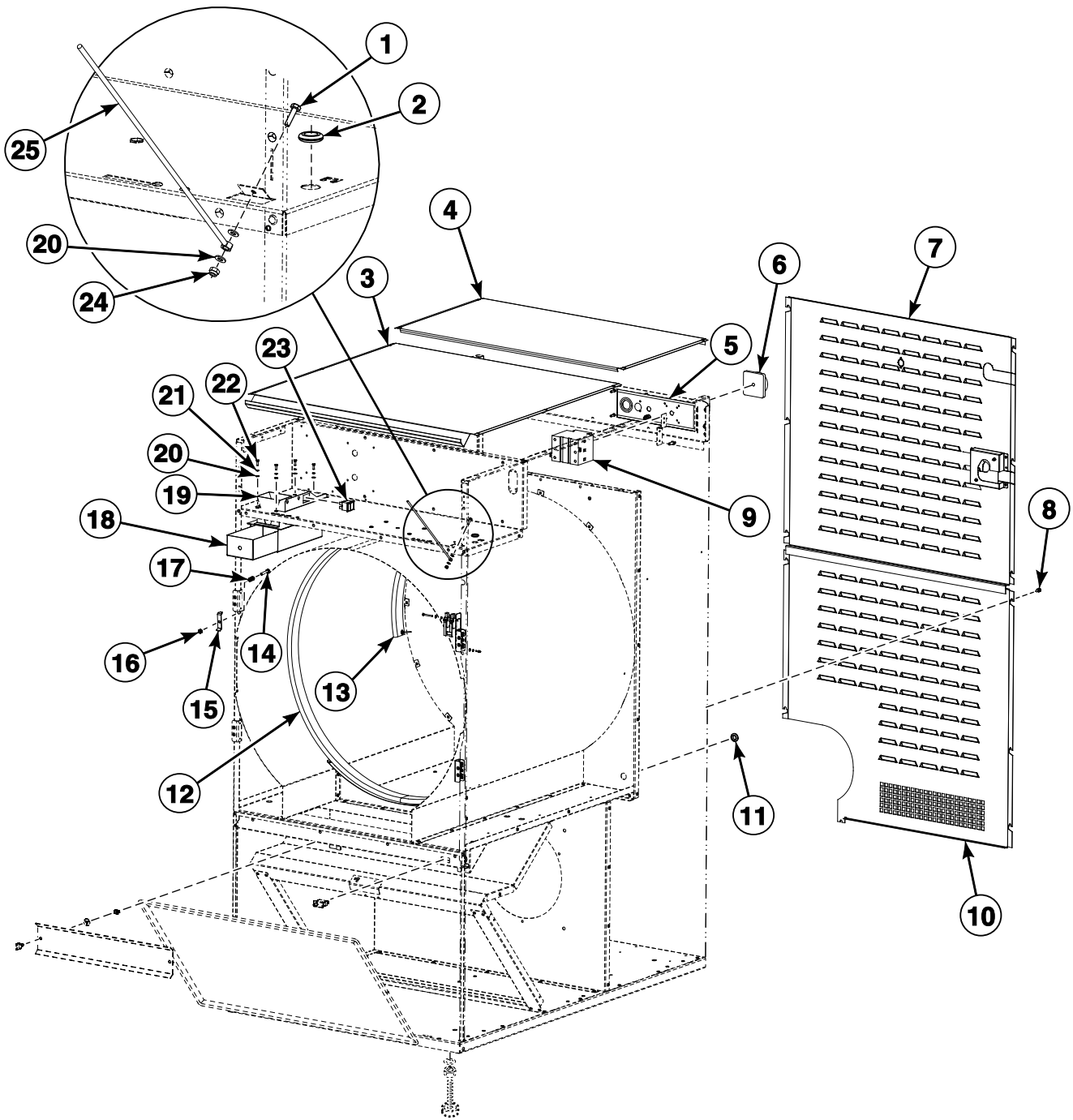


TMB3786P_D2446

Cabinet - Heat Pump Models

REF	PART NO.	DESCRIPTION	COMMENTS
	SP560162	Filter Assembly	Includes items 20 and 21
	SP520404	Door Switch Assembly	Includes items 27-34
	573370	Coin Vault Assembly	Includes items 1, 6, 7, 40 and 41
1	SP311125000004	Washer	
2	SP517486	Rod	
3	SP309933000416	Bolt	
4	SP273121011001	Bushing	
5	SP514193	Nut	
6	SP311127000004	Washer	
7	SP309933240412	Bolt	
8	SP100388	Switch	
9	SP530795	Upper Cover	
	SP557133	Upper Cover	Single phase
10	SP530796	Access Cover	
	SP557136	Access Cover	Single phase
11	SP100218	Screw	
12	SP520891	Switch Panel	
13	SPPRI404000095	Main Switch Knob	
14	SPPRI404000097	Main Switch	
15	SP273121013002	Bushing	
16	SP311125000010	Washer	
17	SP310934000010	Nut	
18	SPPRI504000001	Adjustable Foot	
19	SP506045	Microswitch	
20	SP560160	Fine Filter	
21	SP512324	Filter	
22	SP545533	Exhaust Cover	
23	SP545529	Bolt	
24	SP545531	Washer	
25	SP545530	Nut	
26	SP518505	Front Seal	
27	SP518719	Bolt	
28	SP311127000003	Washer	
29	SP311125000003	Washer	
30	SP517484	Microswitch	
31	SPPRI610011077	Microswitch	
32	SP516693	Bolt	
33	SP101154	Isolation Plate	
34	SP520403	Door Switch Holder	
35	SP527801	Back Seal	Models through Serial No.16T018656UH
	579537	Back Seal	Models starting Serial No.16T018657UH
36	SP309933000630	Bolt	
37	SPPRI611000009	Spring	
38	SP534645	Lock Hook	
39	SP310985000006	Nut	
40	SP321848140028	Coin Vault	
41	573350	Coin Vault	

Cabinet - Gas, Steam and Electric Models (Drawing 1 of 2)

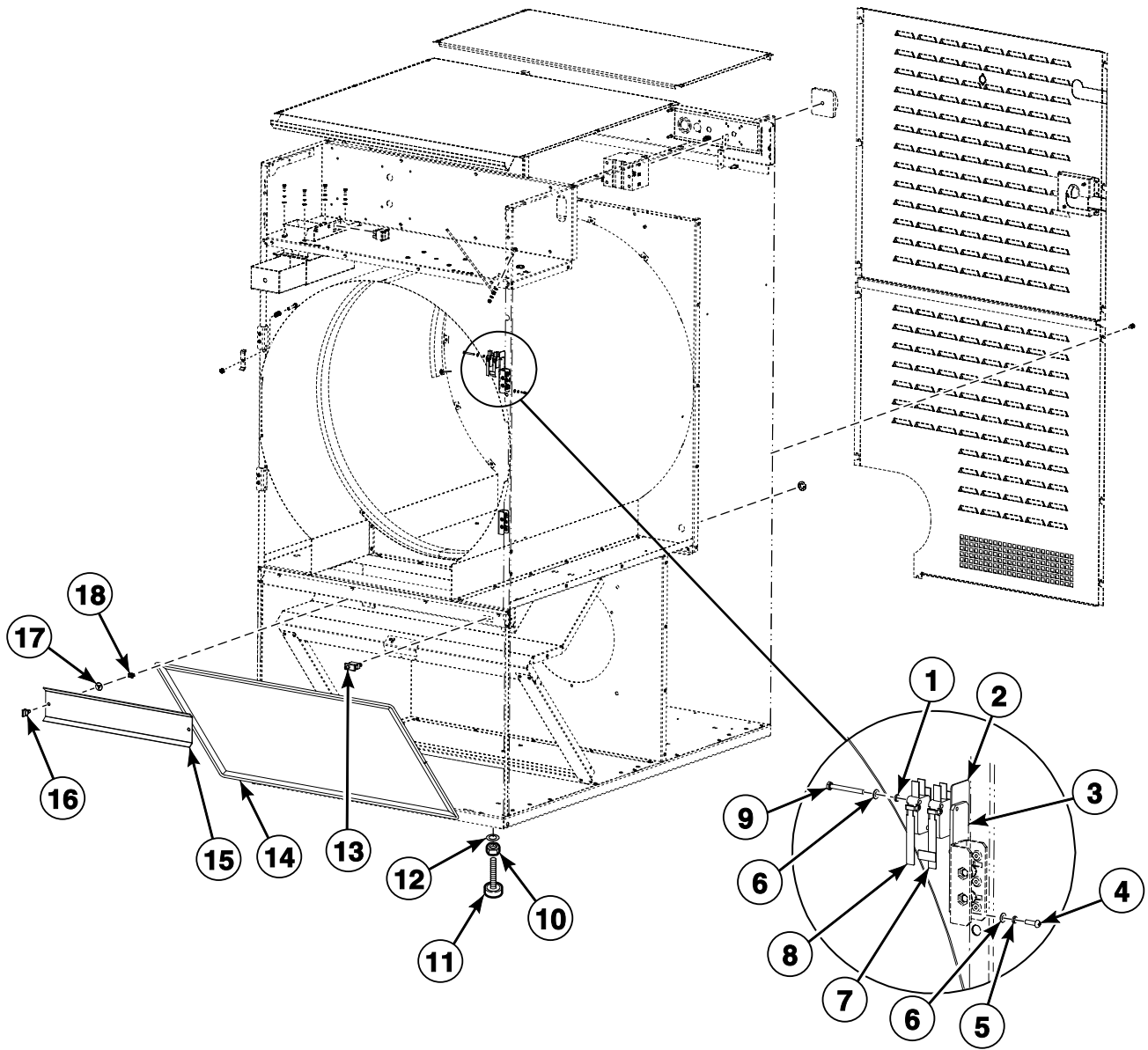


TMB3780P_D2446

Cabinet - Gas, Steam and Electric Models (Drawing 1 of 2)

REF	PART NO.	DESCRIPTION	COMMENTS
	573370	Coin Vault Assembly	Includes items 18 and 19
1	SP309933000416	Bolt	
2	SP273121011001	Bushing	
3	SP530795	Upper Cover	
4	SP530796	Access Cover	
5	SP520890	Switch Panel	
6	SPPRI404000095	Main Switch Knob	
7	SP530798	Upper Rear Cover	Electric models
	569441	Upper Rear Cover	Gas models; Also use 569448 Cover
8	SP100218	Screw	
9	SPPRI404000097	Main Switch	Gas and steam models
	SPPRI404000098	Main Switch	Electric models; 400-440V, 12 or 18 kW
	SPPRI404000099	Main Switch	Electric models; 208-240V, 18 kW; 400-440V, 24kW
	SPPRI404000100	Main Switch	Electric models; 208-240V; 24 kW
10	SP530799	Lower Rear Cover	
11	SP273121013002	Bushing	
12	SP518505	Front Seal	
13	SP527801	Back Seal	Models through Serial No.16T018656UH
	579537	Back Seal	Models starting Serial No.16T018657UH
14	SP309933000630	Bolt	
15	SP534645	Lock Hook	
16	SP310985000006	Nut	
17	SPPRI611000009	Spring	
18	SP321848140028	Coin Vault	
19	573350	Coin Vault	
20	SP311125000004	Washer	
21	SP311127000004	Washer	
22	SP309933240412	Bolt	
23	SP100388	Switch	
24	SP514193	Nut	
25	SP517486	Rod	

Cabinet - Gas, Steam and Electric Models (Drawing 2 of 2)

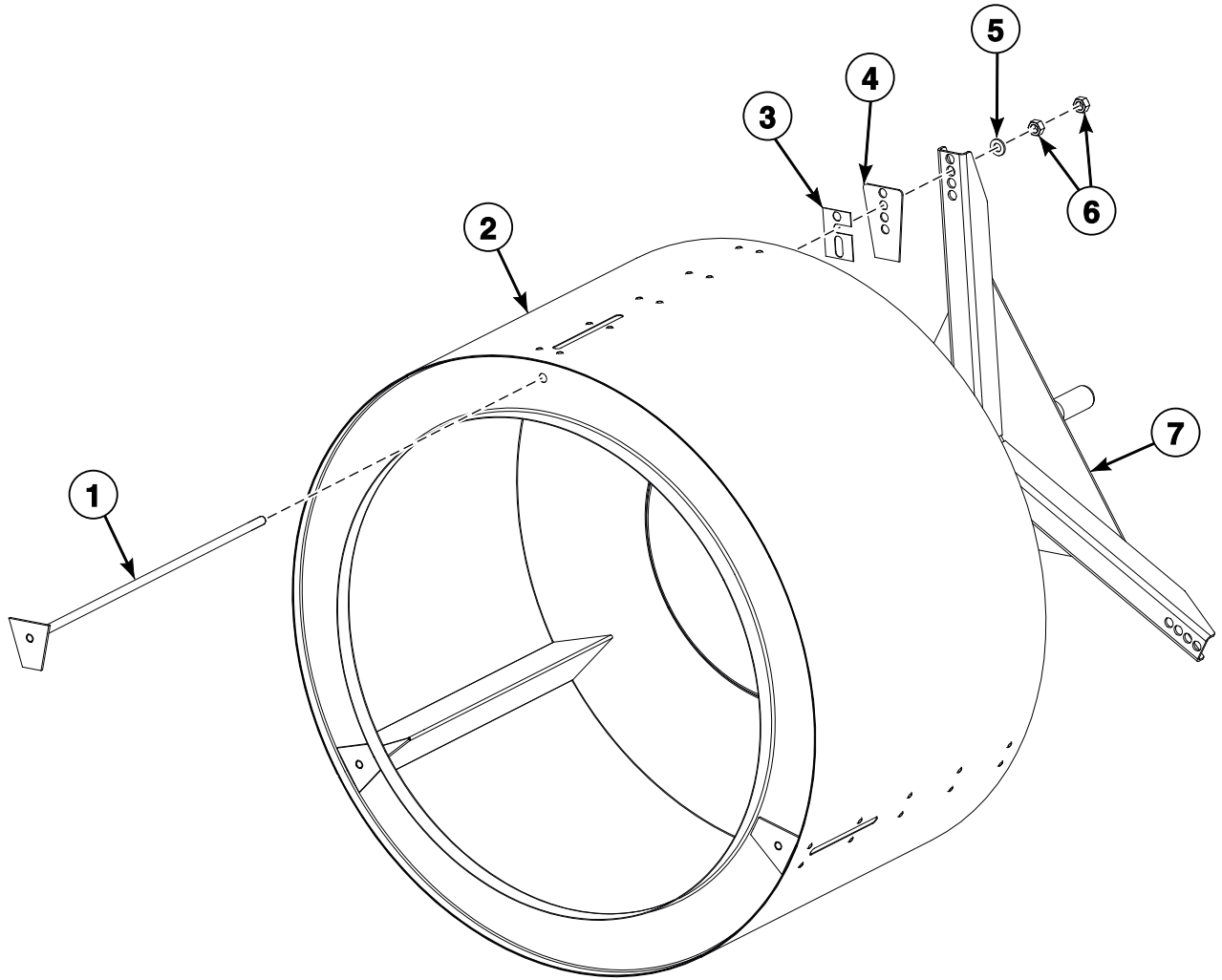


TMB3779P_D2446

Cabinet - Gas, Steam and Electric Models (Drawing 2 of 2)

REF	PART NO.	DESCRIPTION	COMMENTS
	SP520404	Door Switch Assembly	Includes items 1-9
1	SP311127000003	Washer	
2	SP101154	Isolation Plate	
3	SP520403	Door Switch Holder	
4	SP518719	Bolt	
5	SP311127000003	Washer	
6	SP311125000003	Washer	
7	SP517484	Microswitch	
8	SPPRI610011077	Microswitch	
9	SP516693	Bolt	
10	SP310934000010	Nut	
11	SPPRI504000001	Adjustable Foot	
12	SP311125000010	Washer	
13	SP506045	Microswitch	
14	SP512324	Filter	
15	SP545533	Exhaust Cover	
16	SP545529	Bolt	
17	SP545531	Washer	
18	SP545530	Nut	

Drum Assembly

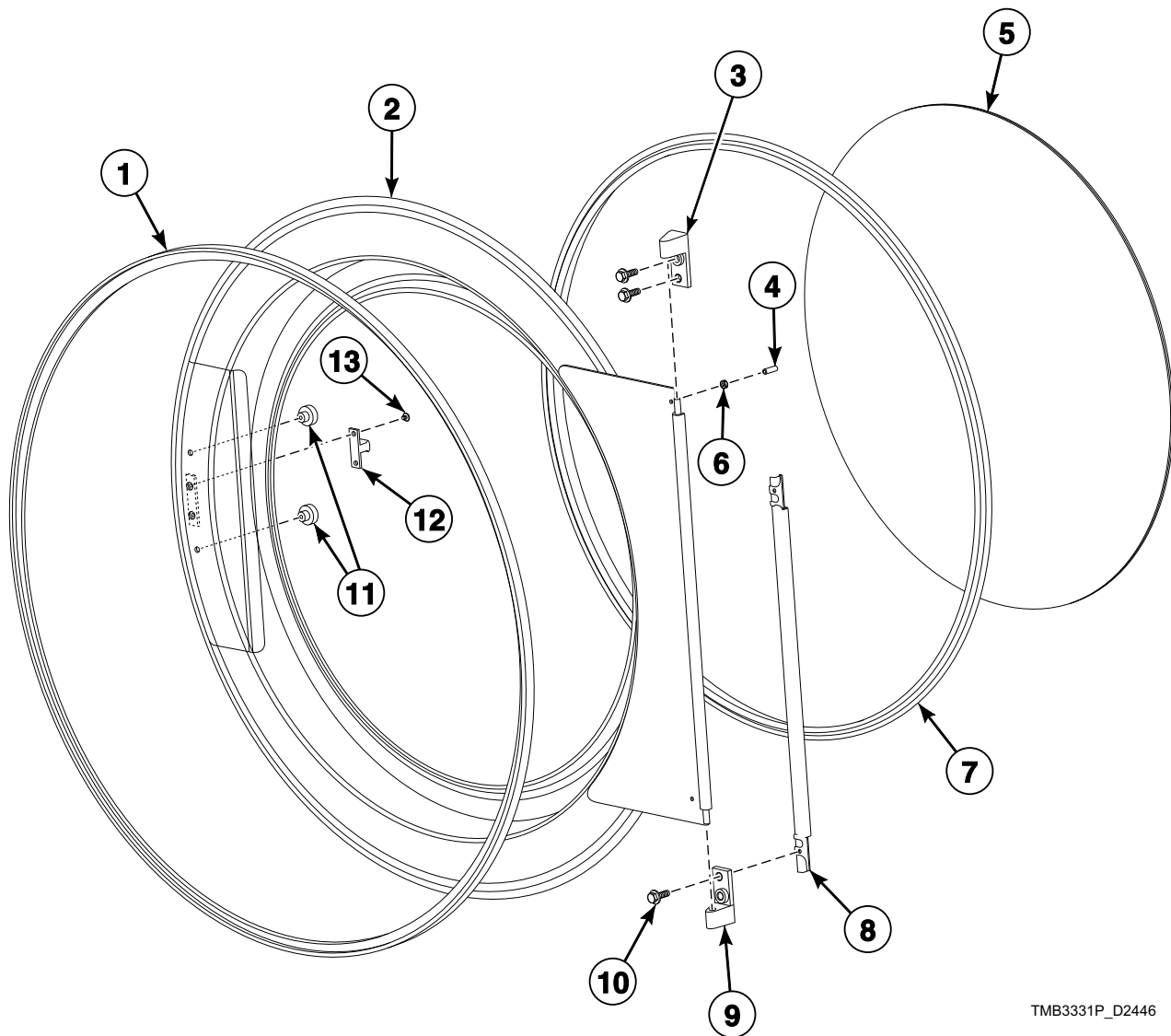


TMB3330P_D2446

Drum Assembly

REF	PART NO.	DESCRIPTION	COMMENTS
	577704	Drum Assembly	Galvanized; Includes items 1-7; 3000 RPM
	577726	Drum Assembly	Stainless steel; Includes items 1-7; 3000 RPM
1	SP525030	Bolt	
2	577766	Drum	Galvanized
	577769	Drum	Stainless steel
3	SP512233	Washer	1mm
	517426	Washer	0.5mm
4	SP510697	Washer	
5	SP311125000010	Washer	
6	SP310934000010	Nut	
7	SP514957	Drum Cross	3000 RPM

Door Assembly

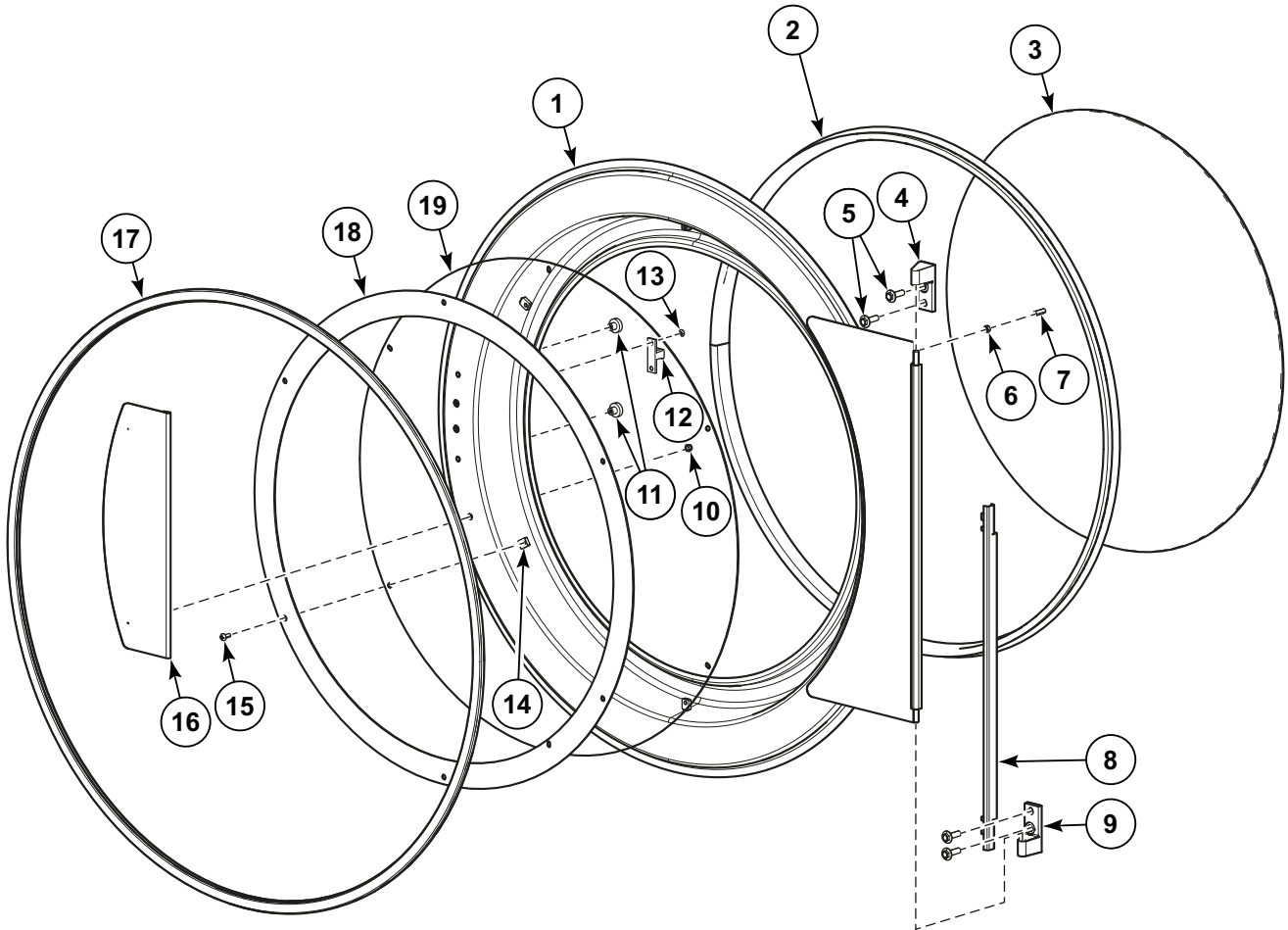


TMB3331P_D2446

Door Assembly

REF	PART NO.	DESCRIPTION	COMMENTS
	SP534969	Glue	Use with item 5
	SP245704003021	Adhesive	Use with item 4
	SP559703	Door Assembly	P and T models; S and U models through Serial No.16T018064UD; Heat pump; Includes items 1-13; Metallic gray
	SP556559	Door Assembly	I, L, N models; S and U models starting Serial No.16T018065UD; Heat pump; Includes items 1-13; Black
	SP524359	Door Assembly	L and N models; I models starting Serial No.16T014342QD; S and U models starting 16T018065UD; Gas, steam and electric; Includes items 1-13; Black
	SP556561	Door Assembly	P and T models through Serial No.16T014341QD; Heat pump; Includes items 1-13; Silver
	SP556558	Door Assembly	P and T models through Serial No. 16T013256MB; Gas, steam and electric; Includes items 1-13; Silver
	559702	Door Assembly	P and T models starting Serial No. 16T013257MB; S and U models through Serial No.16T018064UD; Gas, steam and electric; Includes items 1-13; Metallic gray
1	SP534873	Door Ring	
2	SP559701	Door	P, S, T and U models; Metallic gray
	SP524364	Door	I, L, N, S and U models; Black
	SP556552	Door	P and T models; Silver
3	SP559705	Upper Door Hinge	P, S, T and U models; Metallic gray
	SP525105	Upper Door Hinge	I, L, N, S and U models; Black
	SP556555	Upper Door Hinge	P and T models; Silver
4	SP520201	Stop Pin	
5	SP512053	Door Glass	
6	SP310934240004	Nut	
7	SP519933	Outer Door Gasket	
8	SP559706	Lath	P, S, T and U models; Metallic gray
	SP524582	Lath	I, L, N, S and U models; Black
	SP556553	Lath	P and T models; Silver
9	SP559704	Lower Door Hinge	P, S, T and U models; Metallic gray
	SP525104	Lower Door Hinge	I, L, N, S and U models; Black
	SP556554	Lower Door Hinge	P and T models; Silver
10	SP525101	Bolt	
11	564203	Magnet	
12	SP514530	Latch	
13	SP524367	Bolt	

Door Assembly - Double Layer Door



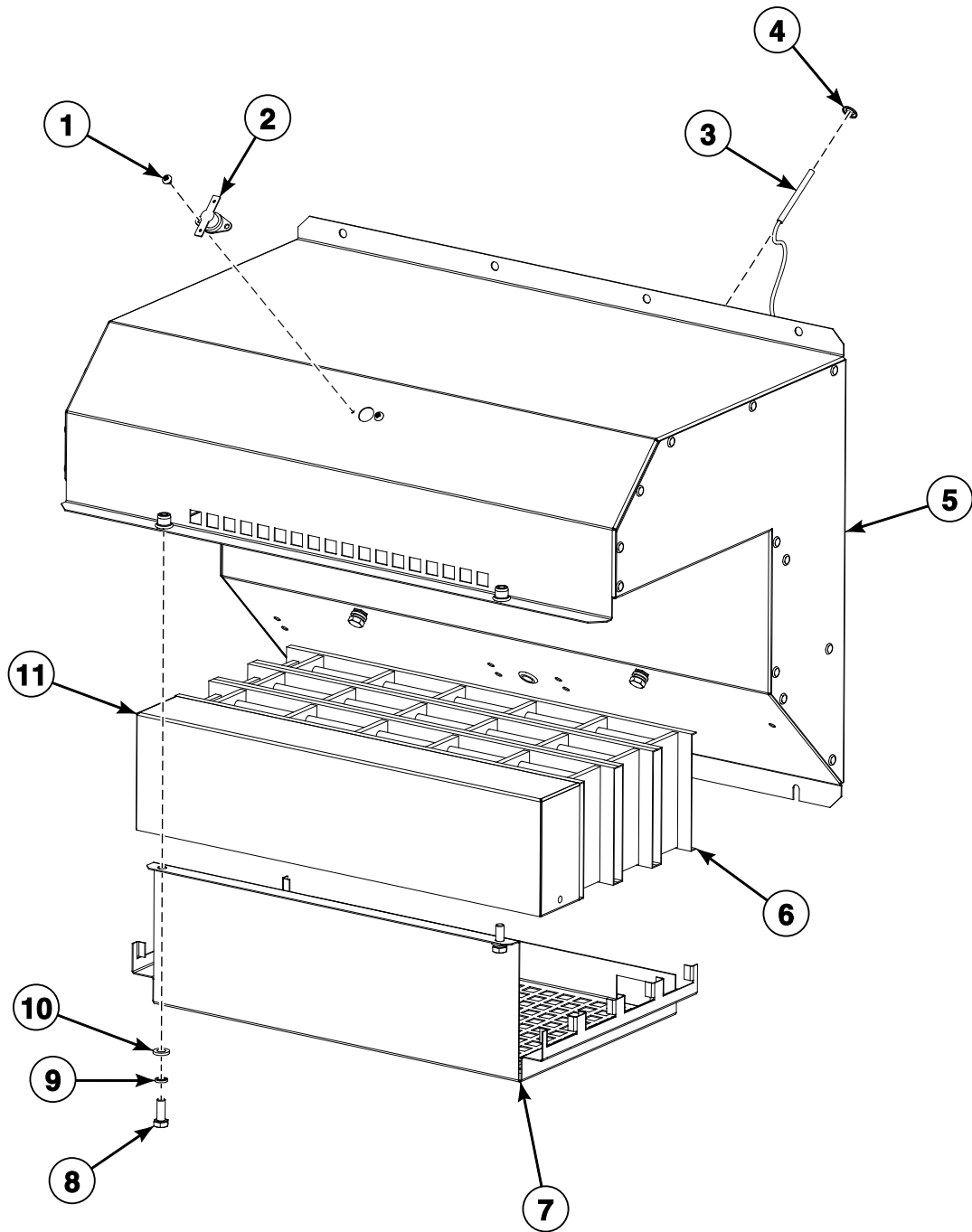
CZT451P_D2446

Door Assembly - Double Layer Door

REF	PART NO.	DESCRIPTION	COMMENTS
	SP534969	Glue	Use with item 3
	SP245704003021	Adhesive	Use with item 7
	579505	Door Assembly	Gas, steam and electric models; Includes items 1-19; Black
	579506	Door Assembly	Gas, steam and electric models; Includes items 1-19; Metallic gray
	579507	Door Assembly	Heat pump models; Includes items 1-19; Black
	579508	Door Assembly	Heat pump models; Includes items 1-19; Metallic gray
1	579509	Door	Black
	579510	Door	Metallic gray
2	SP519933	Outer Door Gasket	
3	SP512053	Door Glass	
4	SP525105	Upper Door Hinge	Black
	SP559705	Upper Door Hinge	Metallic gray
5	SP525101	Bolt	
6	SP310934240004	Nut	
7	SP520201	Stop Pin	
8	SP524582	Lath	Black
	SP559706	Lath	Metallic gray
9	SP525104	Lower Door Hinge	Black
	SP559704	Lower Door Hinge	Metallic gray
10	SP514193	Nut	
11	564203	Magnet	Heat pump models
12	SP514530	Latch	
13	SP524367	Bolt	
14	580337	Plastic Layer Holder	
15	SP515075	Bolt	
16	579513	Handle	Black
	579514	Handle	Metallic gray
17	SP534873	Door Ring	
18	580339	Fixation Ring	Black
	579515	Fixation Ring	Metallic gray
19	580338	Door Plastic Layer	

Electric Heat Components

Electric Models



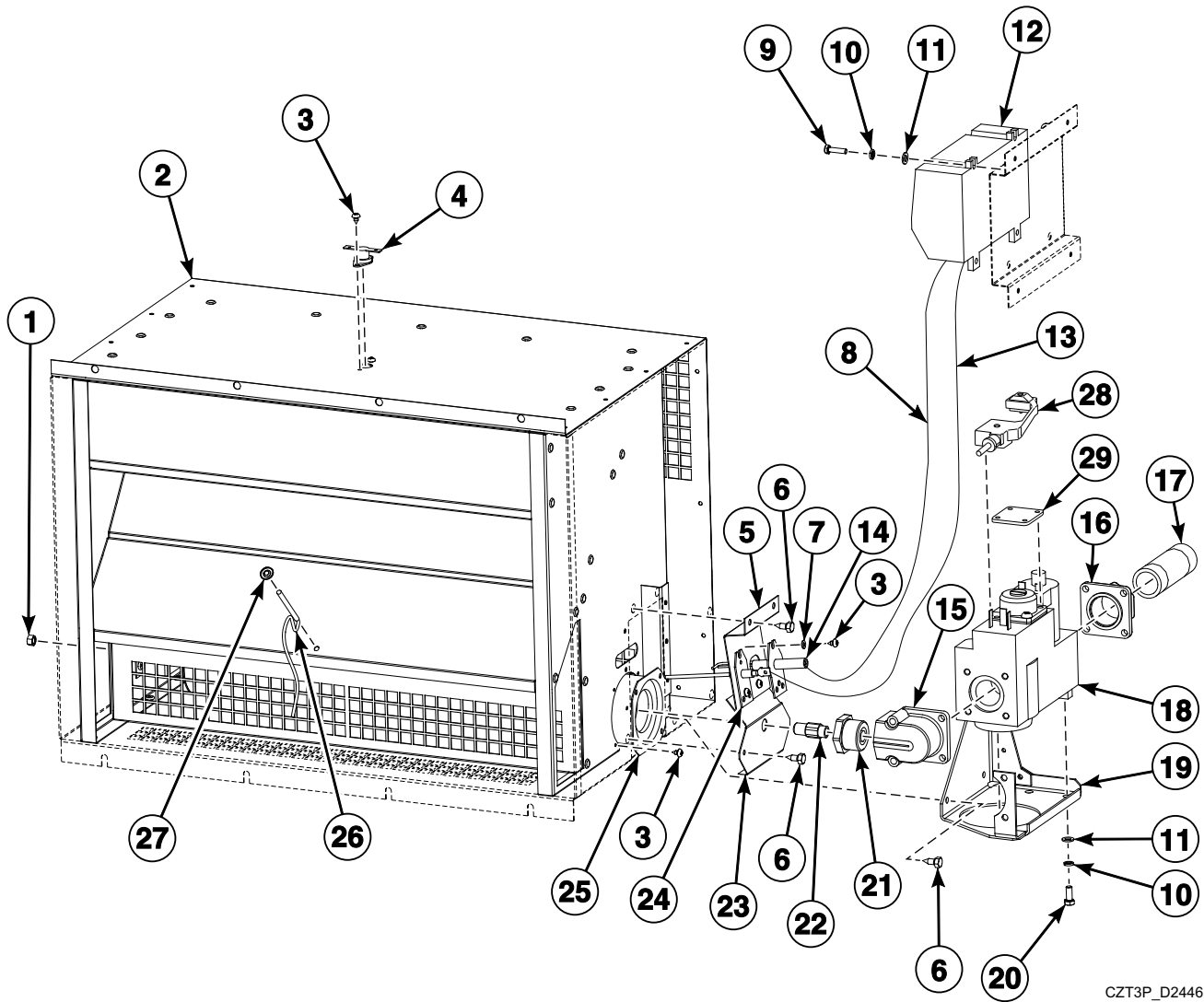
TMB3386P_D2446

Electric Heat Components

REF	PART NO.	DESCRIPTION	COMMENTS
1	SP309798100313	Screw	
2	SP514127	Safety Thermostat	
3	SP516092	Temperature Sensor	
4	SP516669	Washer	
5	SP528941	Heater Box	
6	SP510984	Heating Element	6 kW
	SP510985	Heating Element	4.5 kW
	SP557786	Fuse	
7	SP527900	Heating Element Bracket	
8	SP309933000616	Bolt	
9	SP311127000006	Washer	
10	SP311125000006	Washer	
11	SP520297	Plug	

Gas Heat Components - Models Through Serial No. 16T014291QB

Gas Models



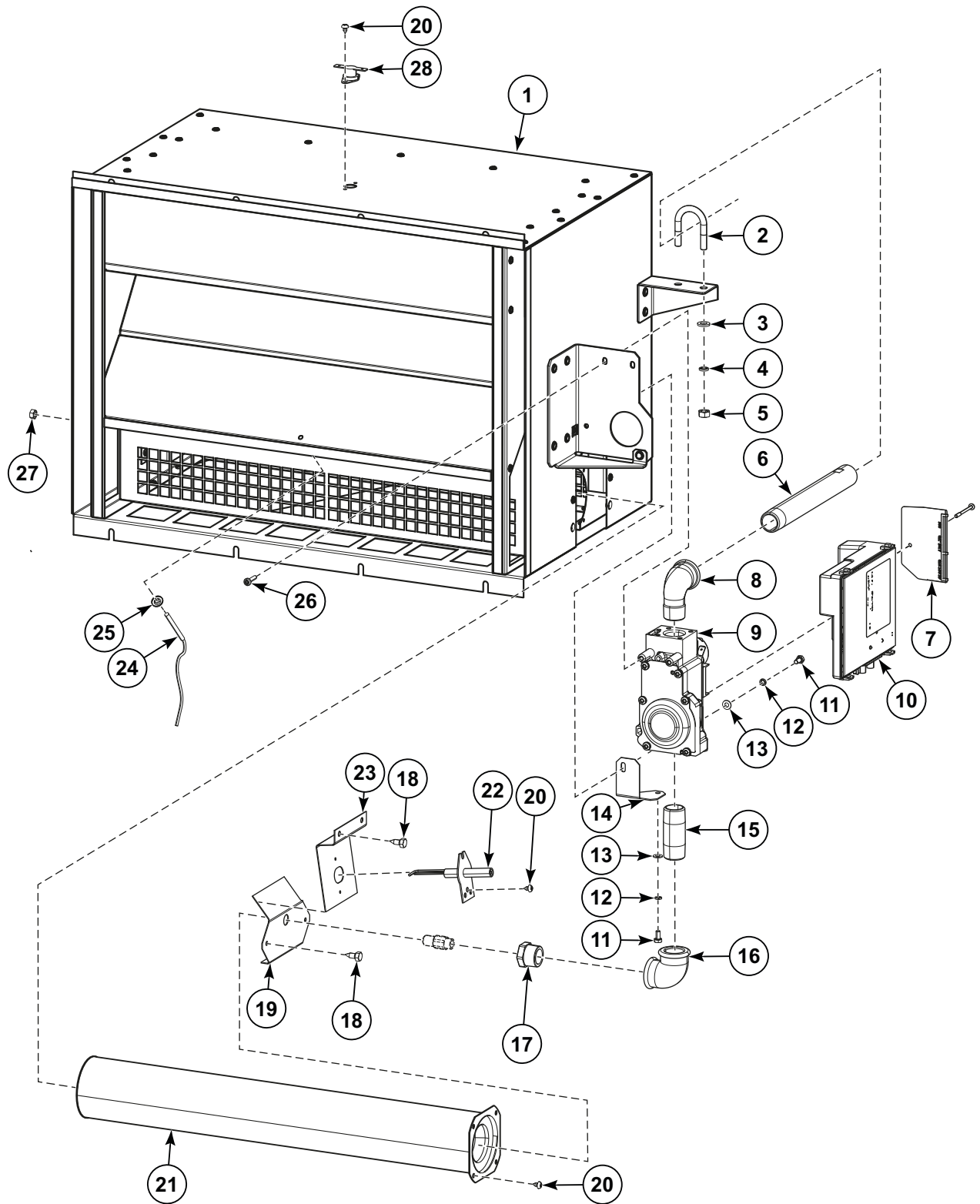
CZT3P_D2446

Gas Heat Components - Models Through Serial No. 16T014291QB

REF	PART NO.	DESCRIPTION	COMMENTS
	SP273454410020	Hose	
	520098	Gas Valve Wiring	60 Hertz; Use with item 18
1	SP310934240005	Nut	
2	SP512130	Gas Heater Box	
3	SP517238	Screw	
4	SP514127	Safety Thermostat	
5	SP512141	Electrode Bracket	
6	SP100218	Screw	
7	SP311125000003	Washer	
8	SP516060	Ignition Cable	
9	SP309933000516	Bolt	
10	SP311127000005	Washer	
11	SP311125000005	Washer	
12	SP357456010080	Ignition Unit	
13	SP516057	Flame Detection Cable	
14	575643	Ignition Electrode	
15	SP102018	Flange	
16	SP514062	Flange	
17	SP512142	Tube	
18	SP102000	Gas Valve	50 Hertz
	SP520281	Gas Valve	60 Hertz
19	SP512144	Valve Bracket	
20	SPPRI202001001	Bolt	
21	SP512067	Nozzle	
22	525466	Orifice	130
	525465	Orifice	165
	517241	Orifice	170
	517327	Orifice	175
	517328	Orifice	185
	517243	Orifice	190
	517222	Orifice	200
	520399	Orifice	210
	517223	Orifice	215
	517329	Orifice	220
	517224	Orifice	235
	517245	Orifice	245
	530819	Orifice	250
	517246	Orifice	260
	517250	Orifice	290
	517251	Orifice	300
	517252	Orifice	310
	517253	Orifice	325
	517225	Orifice	350
	517257	Orifice	360
	517258	Orifice	365
	517226	Orifice	380
	530820	Orifice	385
	517227	Orifice	420
	517330	Orifice	435
	517331	Orifice	445
	517337	Orifice	530
	520237	Orifice	650
	520236	Orifice	700
23	SP512139	Cover	
24	SP102002	Detection Electrode	
25	SP552515	Burner Tube	
26	SP516092	Temperature Sensor	
27	SP516669	Washer	
28	345000180901	Connector	50 Hertz; Use with item 18
	345000160645	Contact	50 Hertz; Use with item 18
	SP357500459412	Gas Valve Cable	50 Hertz; Use with item 18
29	SP102019	Blank Plate Kit	Without regulator

Gas Heat Components - Models Starting Serial No. 16T014292QB (Drawing 1 of 2)

Gas Models



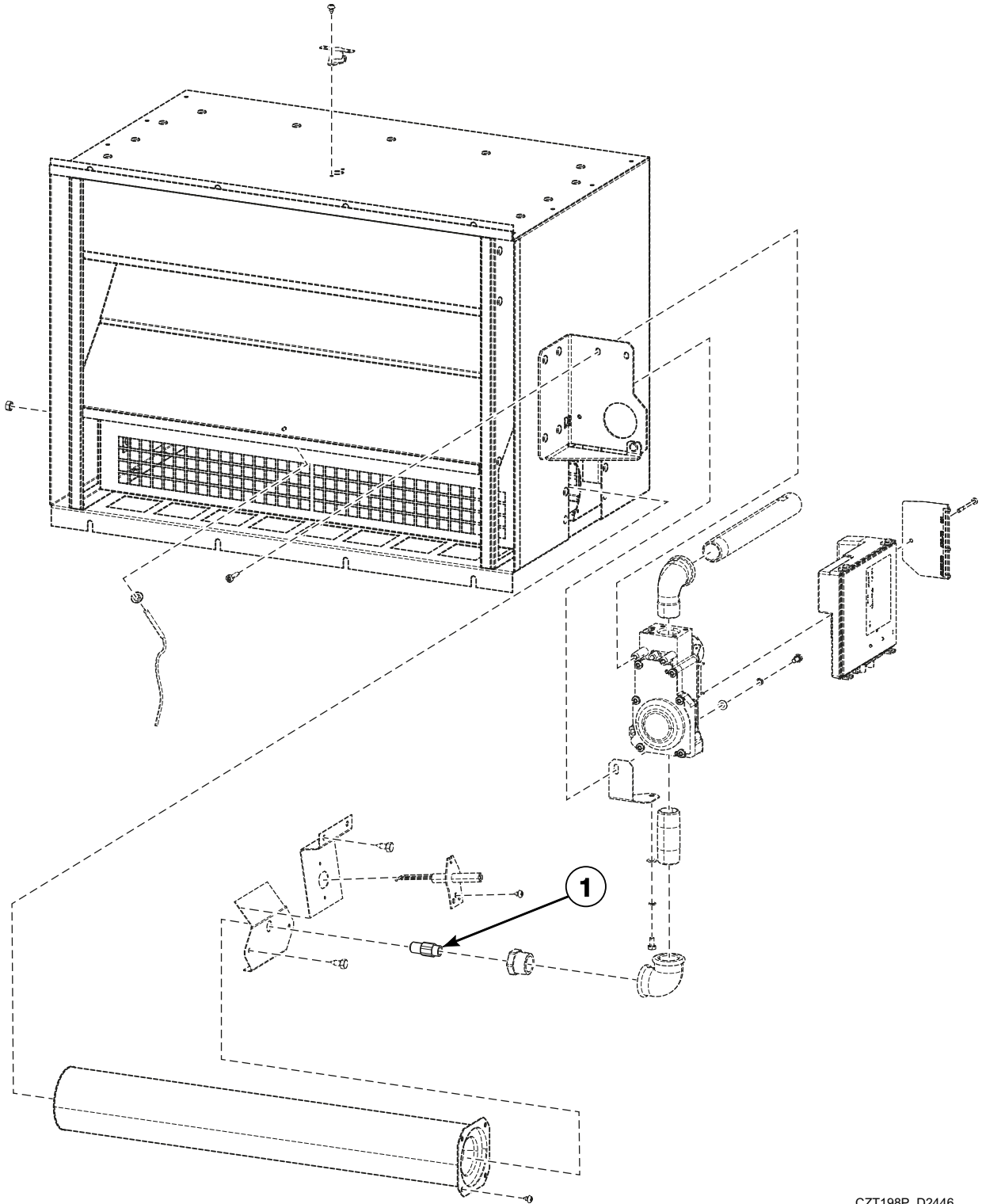
CZT467P_D2446

Gas Heat Components - Models Starting Serial No. 16T014292QB (Drawing 1 of 2)

REF	PART NO.	DESCRIPTION	COMMENTS
	571487	Ignition Cable	Use with item 22
1	569440	Gas Heater Box	
2	577644	Stirrup	M6 D1/2 inch
3	SP311125000006	Washer	M6
4	SP311127000006	Washer	M6
5	SP310934000006	Nut	M6
6	569444	Tube	1/2 inch
7	537625	Cover	
8	572352	Elbow	1/2 inch
9	572351	Gas Valve	
10	571938	Control Unit	
11	SP309798524408	Bolt	M4x8
12	SP311127000004	Washer	M4
13	SP311125000004	Washer	4.3
14	569446	Holder	
15	571881	Tube	1/2 inch
16	572350	Elbow	1/2 inch
17	571884	Holder	
18	SP100218	Screw	ST4.8x13
19	SP512139	Cover	
20	SP517238	Screw	ST 3.6x6.5
21	SP552515	Burner Tube	
22	575643	Ignition Electrode	
23	571880	Holder	
24	SP516092	Temperature Sensor	
25	SP516669	Washer	2 pieces
26	572361	Screw	ST3.9x13
27	SP310934240005	Nut	M5
28	SP514127	Safety Thermostat	

Gas Heat Components - Models Starting Serial No. 16T014292QB (Drawing 2 of 2)

Gas Models



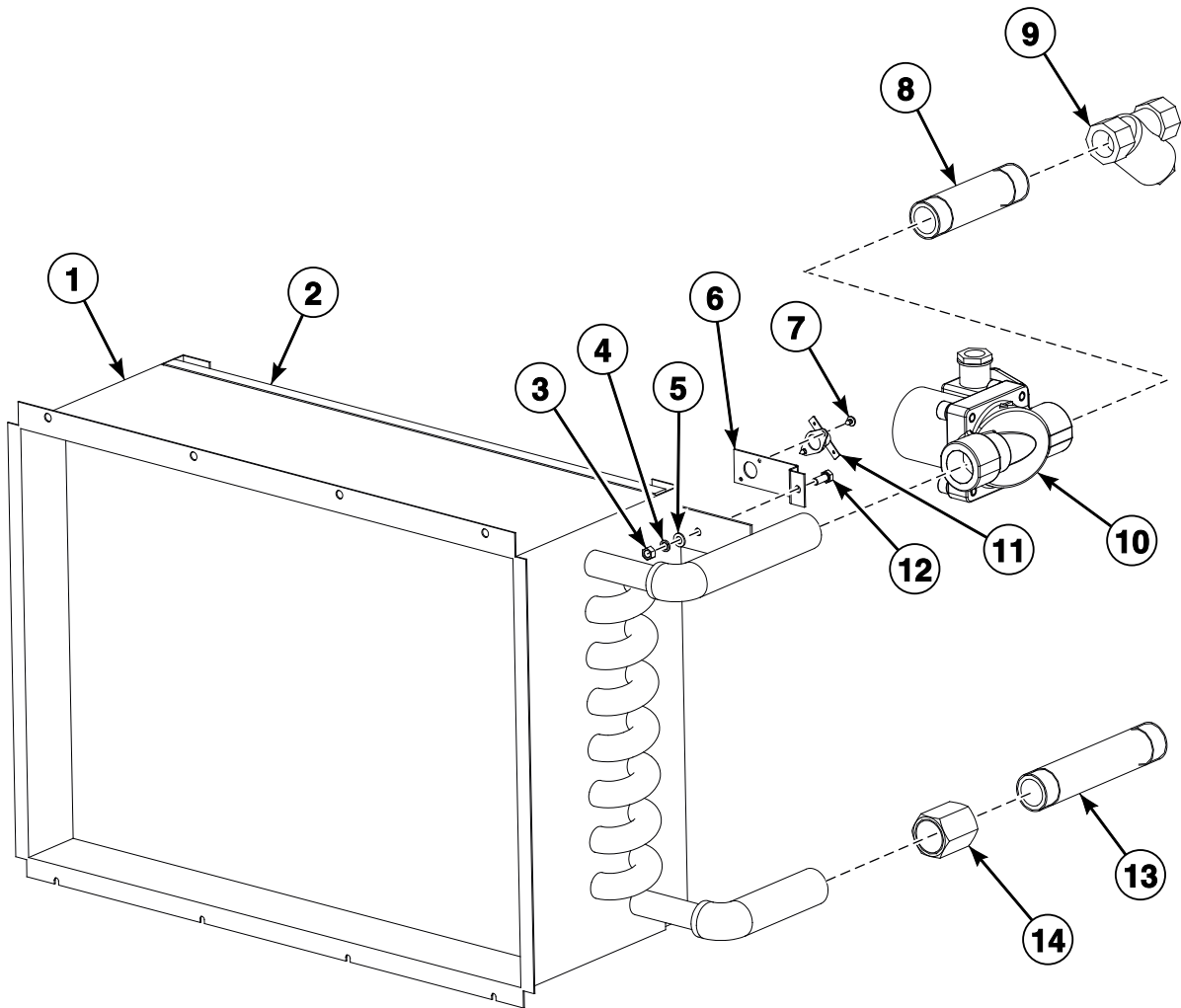
CZT198P_D2446

Gas Heat Components - Models Starting Serial No. 16T014292QB (Drawing 2 of 2)

REF	PART NO.	DESCRIPTION	COMMENTS
1	525466	Orifice	130
	525465	Orifice	165
	517241	Orifice	170
	517327	Orifice	175
	517328	Orifice	185
	517243	Orifice	190
	517222	Orifice	200
	520399	Orifice	210
	517223	Orifice	215
	517329	Orifice	220
	517224	Orifice	235
	517245	Orifice	245
	530819	Orifice	250
	517246	Orifice	260
	517250	Orifice	290
	517251	Orifice	300
	517252	Orifice	310
	517253	Orifice	325
	575530	Orifice	330
	517225	Orifice	350
	517257	Orifice	360
	517258	Orifice	365
	517226	Orifice	380
	530820	Orifice	385
	517227	Orifice	420
	517330	Orifice	435
	517331	Orifice	445
	517337	Orifice	530
	520237	Orifice	650
	520236	Orifice	700

Steam Heat Components

Steam Models



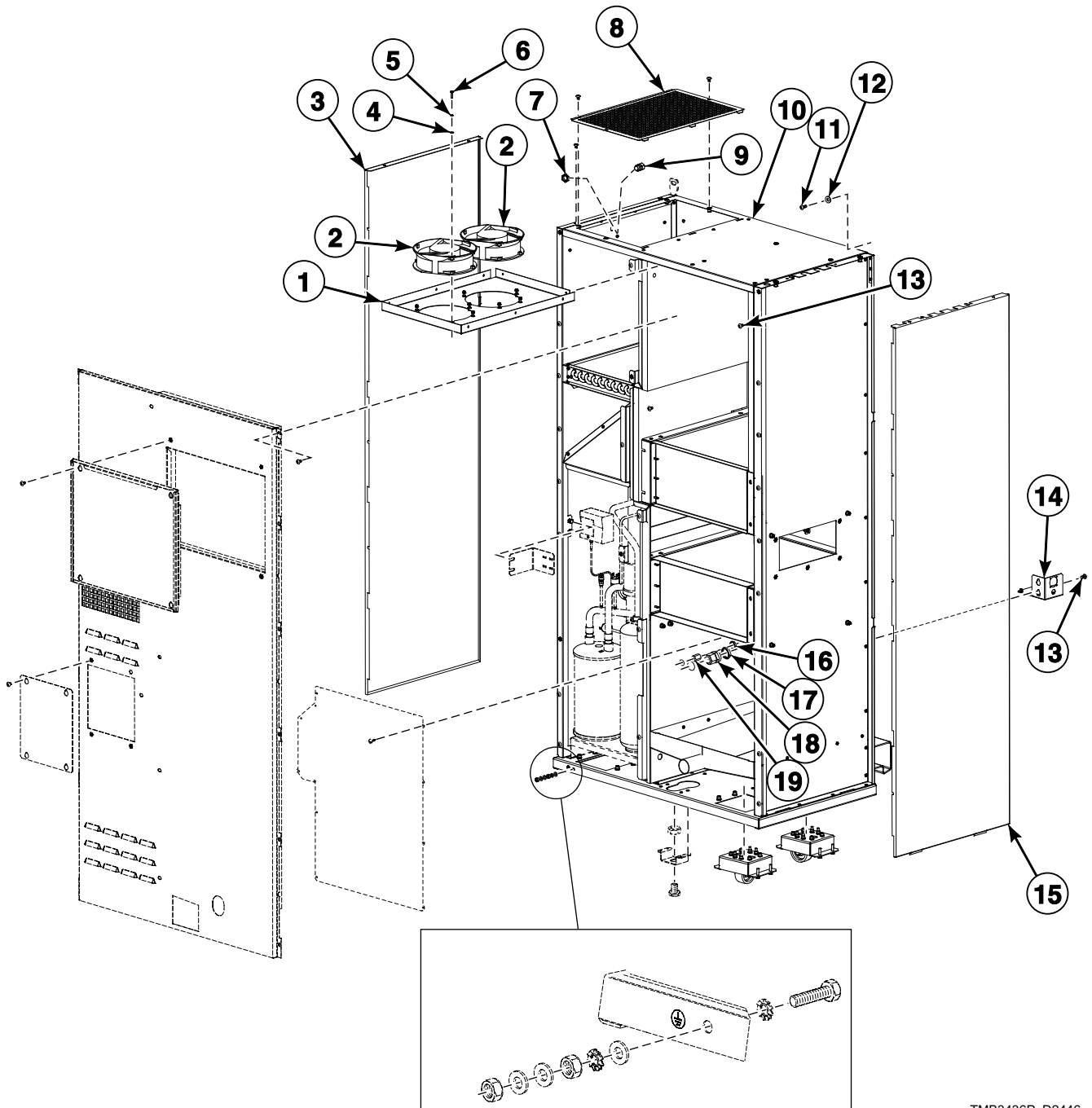
TMB3388P_D2446

Steam Heat Components

REF	PART NO.	DESCRIPTION	COMMENTS
1	SP530409	Steam Exchanger	2 rows
1	SP530410	Steam Exchanger	4 rows
2	SP519027	Filter	
3	SP310934240005	Nut	
4	SP311127000005	Washer	
5	SP311125000005	Washer	
6	SP520227	Thermostat Bracket	
7	SP517238	Screw	
8	SP517236	Tube	
9	SP405054057006	Steam Filter	3/4 inch
10	SP516718	Steam Valve	50 Hertz; With coil
	SP514166	Steam Valve Body	60 Hertz; Without coil
	SP516717	Coil	60 Hertz
11	SP514127	Safety Thermostat	
12	SPPRI202001001	Bolt	
13	SP314G00017524	Tube	
14	SPX01140400514	Tube Insert	

Heat Pump (Drawing 1 of 2)

Heat Pump Models



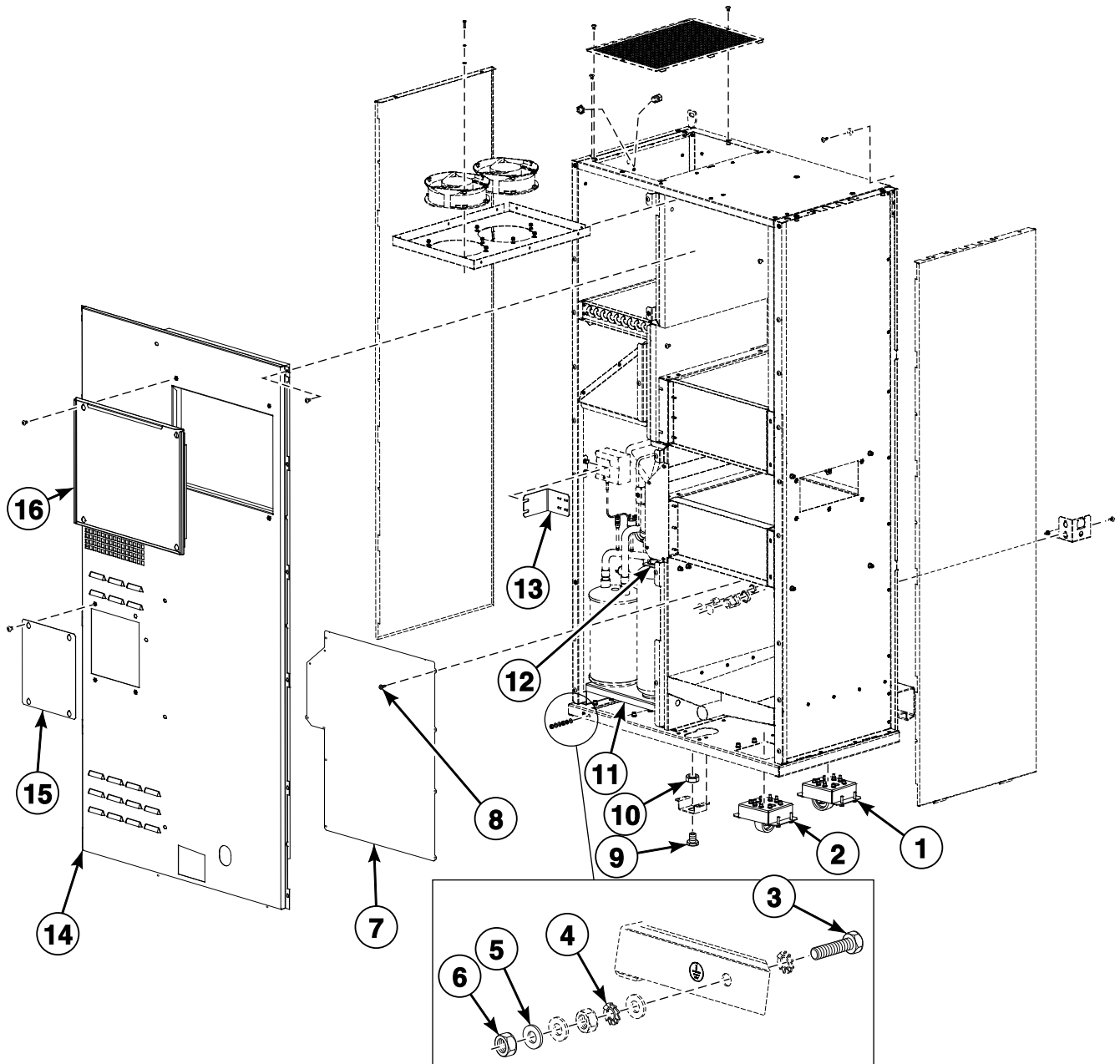
TMB3436P_D2446

Heat Pump (Drawing 1 of 2)

REF	PART NO.	DESCRIPTION	COMMENTS
	SP556082	Heat Pump	U models; With rinsing system; 380-415V 3AC+N 50Hz or 440V 3AC 60Hz; Imitation stainless steel; I models starting S.N.16T014342QD; S models starting S.N.16T018065UD
	SP556084	Heat Pump	U models; With rinsing system; 230V 3AC 50Hz; Imitation stainless steel; I models starting S.N.16T014342QD; S models starting S.N.16T018065UD
	SP556090	Heat Pump	U models; Without rinsing system; 380-415V 3AC+N 50Hz or 440V 3AC 60Hz; Imitation stainless steel; I models starting S.N.16T014342QD; S models starting S.N.16T018065UD
	SP556092	Heat Pump	U models; Without rinsing system; 230V 3AC 50Hz; Imitation stainless steel; I models starting S.N.16T014342QD; S models starting S.N.16T018065UD
	SP556659	Heat Pump	I and LS350HP_PROFESSIONAL models through S.N.16T014341QD; S models through S.N.16T018064UD; Without rinsing system; 230V 3AC 50Hz; White
	SP556660	Heat Pump	I and LS350HP_PROFESSIONAL models through S.N.16T014341QD; S models through S.N.16T018064UD; Without rinsing system; 380-415V 3AC+N 50Hz or 440V 3AC 60Hz; White
	SP556663	Heat Pump	I and LS350HP_PROFESSIONAL models through S.N.16T014341QD; S models through S.N.16T018064UD; With rinsing system; 230V 3AC 50Hz; White
	SP556664	Heat Pump	I and LS350HP_PROFESSIONAL models through S.N.16T014341QD; S models through S.N.16T018064UD; With rinsing system; 380-415V 3AC+N 50Hz or 440V 3AC 60Hz; White
	SP556083	Heat Pump	L, N, P and T models; With rinsing system; 380-415V 3AC+N 50Hz or 440V 3AC 60Hz; Gray
	SP556085	Heat Pump	L, N, P and T models; With rinsing system; 230V 3AC 50Hz; Gray
	SP556091	Heat Pump	L, N, P and T models; Without rinsing system; 380-415V 3AC+N 50Hz or 440V 3AC 60Hz; Gray
	SP556093	Heat Pump	L, N, P and T models; Without rinsing system; 230V 3AC 50Hz; Gray
	SP541496	Fan Assembly	Includes items 1, 2 and 4-6
1	SP541495	Fan Holder	
2	SP528481	Fan	
3	SP541424	Side Panel	U models; I models starting S.N.16T014342QD; S models starting S.N.16T018065UD; Left; Imitation stainless steel
	SP556649	Side Panel	I and LS350HP_PROFESSIONAL models through S.N.16T014341QD; S models through S.N.16T018064UD; Left; White
	SP556005	Side Panel	L, N, P and T models; Left; Gray
4	SP311125000004	Washer	
5	SP311127000004	Washer	
6	SP309084000416	Bolt	
7	SP101415	Nut	
8	SP541484	Fan Cover	
9	SP101405	Bushing	
10	SP552660	Cabinet	
11	SP537864	Bolt	
12	SP311902100006	Washer	
13	SP506012	Bolt	
14	SP551869	Humidity Sensor Cover	
15	SP541425	Side Panel	U models; I models starting S.N.16T014342QD; S models starting S.N.16T018065UD; Right; Imitation stainless steel
	SP556650	Side Panel	I and LS350HP_PROFESSIONAL models through S.N.16T014341QD; S models through S.N.16T018064UD; Right; White
	SP556007	Side Panel	L, N, P and T models; Right; Gray
16	SP101416	Nut	
17	SP101418	Nut	
18	SP101408	Bushing	
19	SP101406	Bushing	

Heat Pump (Drawing 2 of 2)

Heat Pump Models

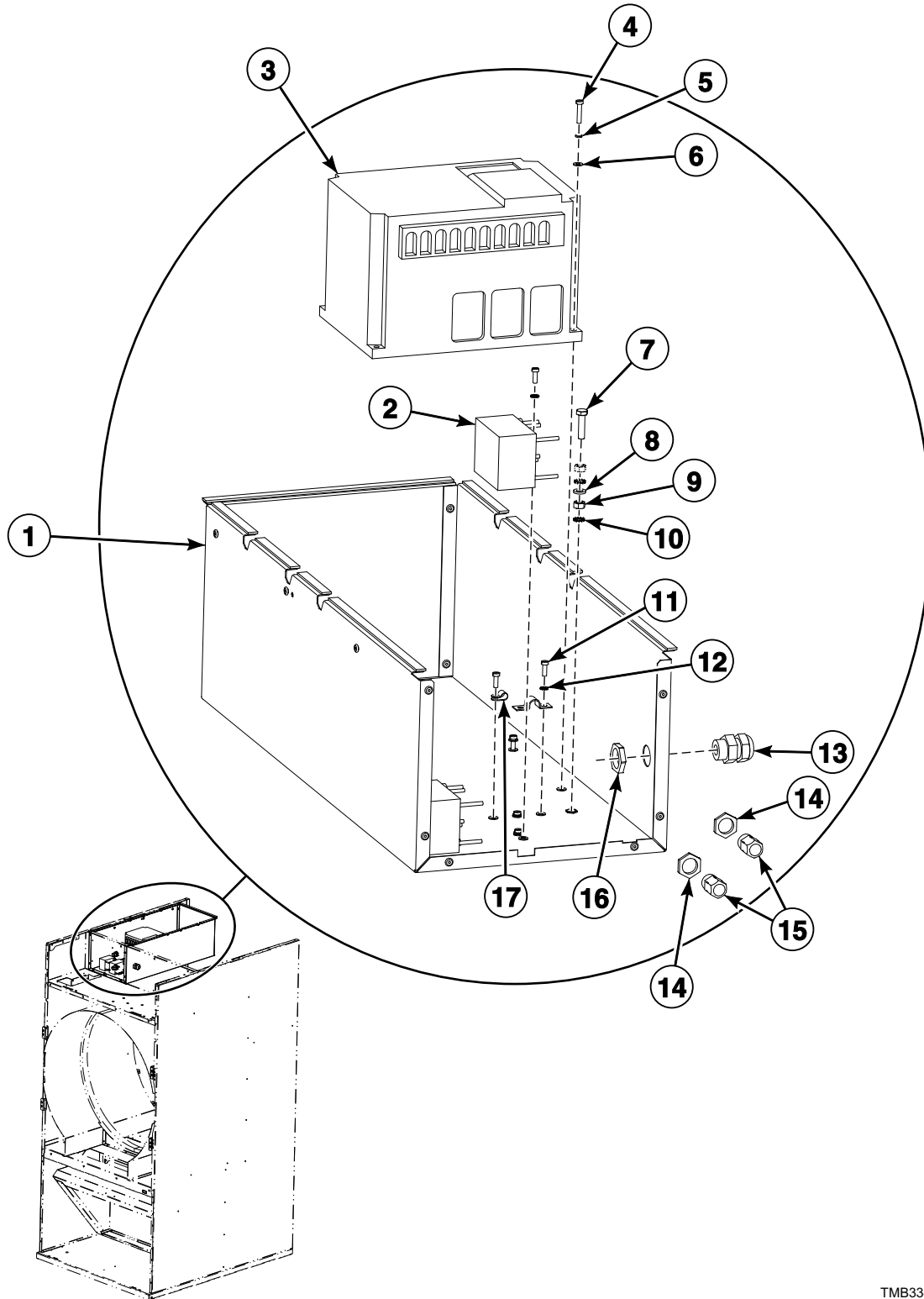


TMB3437P_D2446

Heat Pump (Drawing 2 of 2)

REF	PART NO.	DESCRIPTION	COMMENTS
1	SP541494	Swivel Wheel Assembly	
2	SP551864	Swivel Wheel Assembly	
3	SP309933000625	Bolt	
4	SP311679824006	Washer	
5	SP311125000006	Washer	
6	SP310934000006	Nut	
7	566259	Cover	Starting Serial No. 16T010067FS
8	SP529206	Screw	M4x11
9	SP533726	Bolt	
10	SP310934000020	Nut	
11	SP541489	Base	
12	SP541436	Bracket	
13	SP541457	Thermostat Bracket	
14	SP541435	Cover	Models through Serial No. 16T010474FZ
	SP566301	Cover	Models starting Serial No. 16T010475FZ
15	SP551860	Cover	
16	SP541434	Cover	

Frequency Inverter Panel



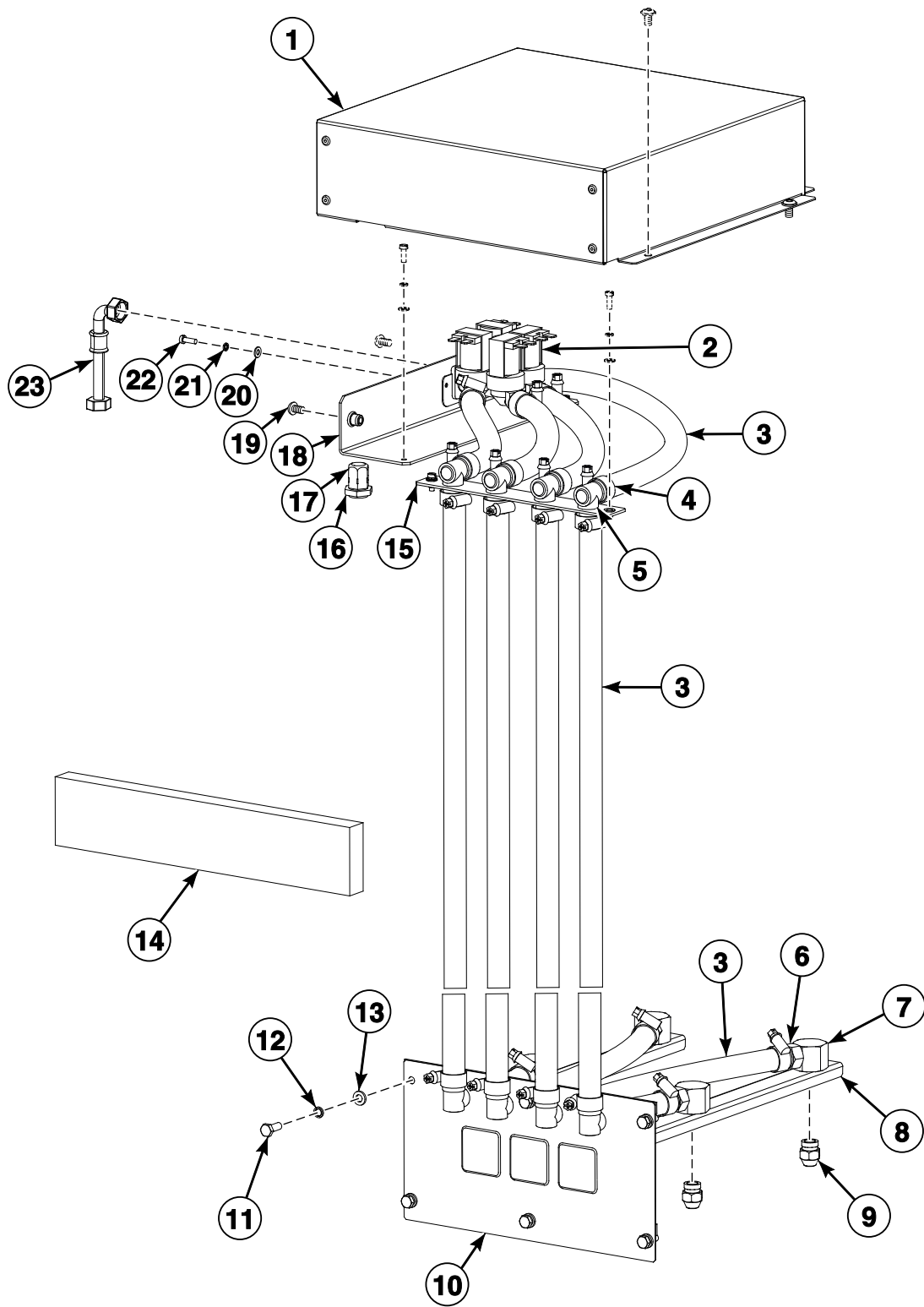
TMB3344P_D2446

Frequency Inverter Panel

REF	PART NO.	DESCRIPTION	COMMENTS
	SP556043	Box Assembly	Includes items 1-17
1	SP556044	Box	
2	SP552251	Filter	
3	571478	Frequency Inverter	
4	SP309084000420	Bolt	
5	SP311127000004	Washer	
6	SP311125000004	Washer	
7	SP309933100625	Bolt	
8	SP311125100006	Washer	
9	SP310934100006	Nut	
10	SP311679824006	Washer	
11	SP309084000412	Bolt	
12	SP311679800004	Washer	
13	SP101408	Bushing	
14	SP101416	Nut	
15	SP101406	Bushing	
16	SP101418	Nut	
17	SP502214	Clip	

Heat Pump Rinsing System

Heat Pump Models



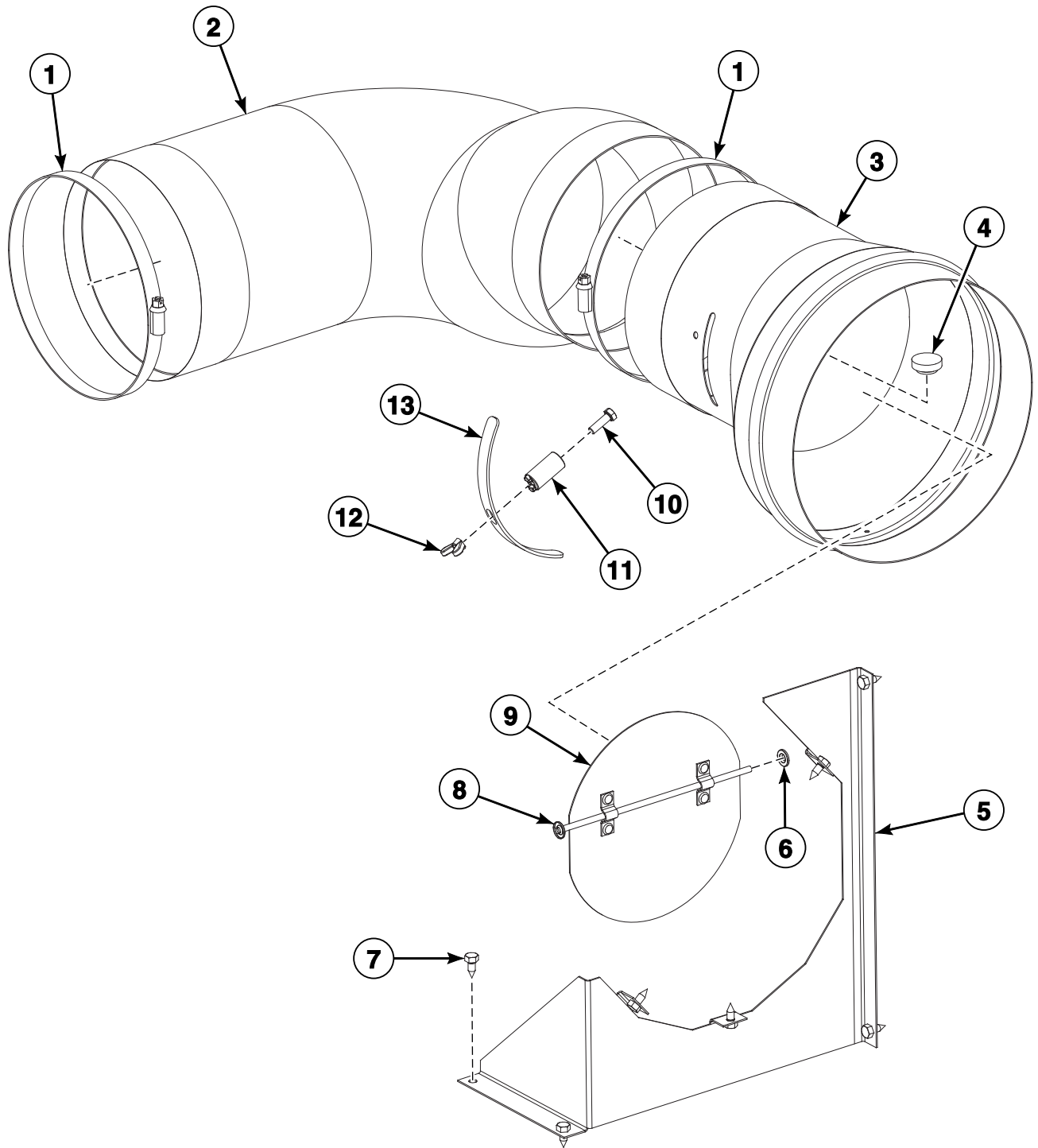
CZT1P_D2446

Heat Pump Rinsing System

REF	PART NO.	DESCRIPTION	COMMENTS
	SP556920	Nozzle Holder Assembly	Includes items 6, 7, 8 and 9
	581723	Time Relay	For models with HP Booster
1	SP556947	Valve Cover Assembly	
2	SP556959	Valve	4-way
3	SPPRI540000014	Hose	
	SP101745	Hose Pipe	For water approval
4	SPPRI240000002	Hose Clamp	
5	SP527236	Elbow	
6	SP556916	Nozzle Adapter	
7	SP556915	Nozzle Fitting Adapter	
8	SP556919	Nozzle Bracket Assembly	
9	SP556922	Nozzle	
10	SP556954	Rinsing System Bracket	
11	SP309933000616	Bolt	
12	SP311125000006	Washer	
13	SP311127000006	Washer	
14	SP552666	Insulation	
15	SP556943	Elbow Bracket Assembly	
16	SP101416	Nut	
17	SP101406	Bushing	
18	SP556946	Valve Bracket Assembly	
19	SP506012	Bolt	
20	SP311127000004	Washer	
21	SP311125000004	Washer	
22	SP309084000412	Bolt	
23	SPPRI505000054	Filling Hose Pipe	
	SP101621	Filling Hose Pipe	For water approval

Exhaust

Gas, Steam and Electric Models

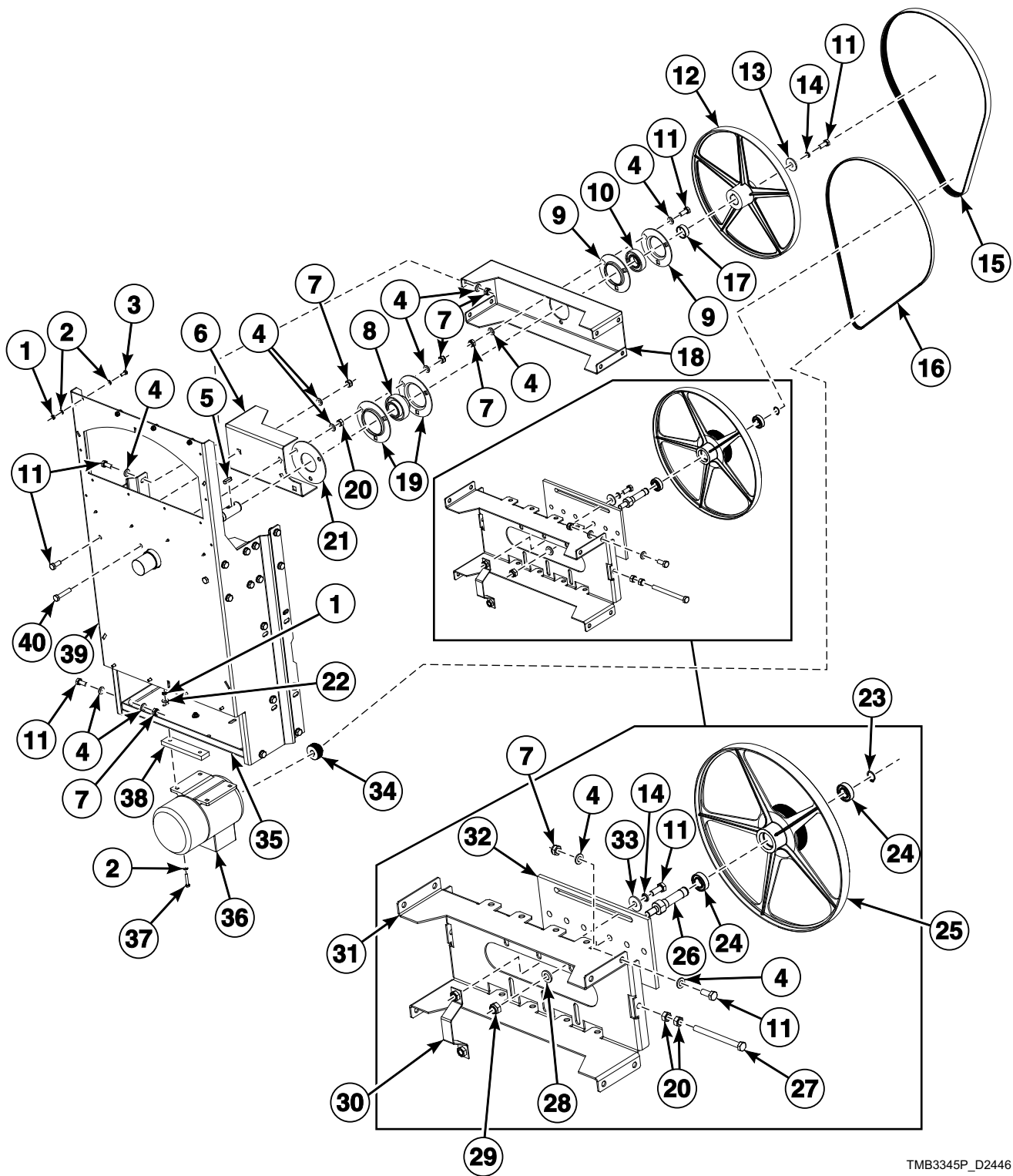


TMB3389P_D2446

Exhaust

REF	PART NO.	DESCRIPTION	COMMENTS
	SP534910	Exhaust Assembly	Includes items 1-13
1	SP529013	Clamp	
2	SP144151508341	Tube	
3	SP534914	Tube	
4	SP273127001798	Plug	
5	SP530689	Exhaust Bracket	
6	SP516669	Washer	
7	SP100218	Screw	
8	SP534908	Bar	
9	SP534902	Flap Assembly	
10	SP309933000516	Bolt	
11	SP534900	Flap Stop	
12	SP534929	Nut	
13	SP534904	Plug	

Drive System



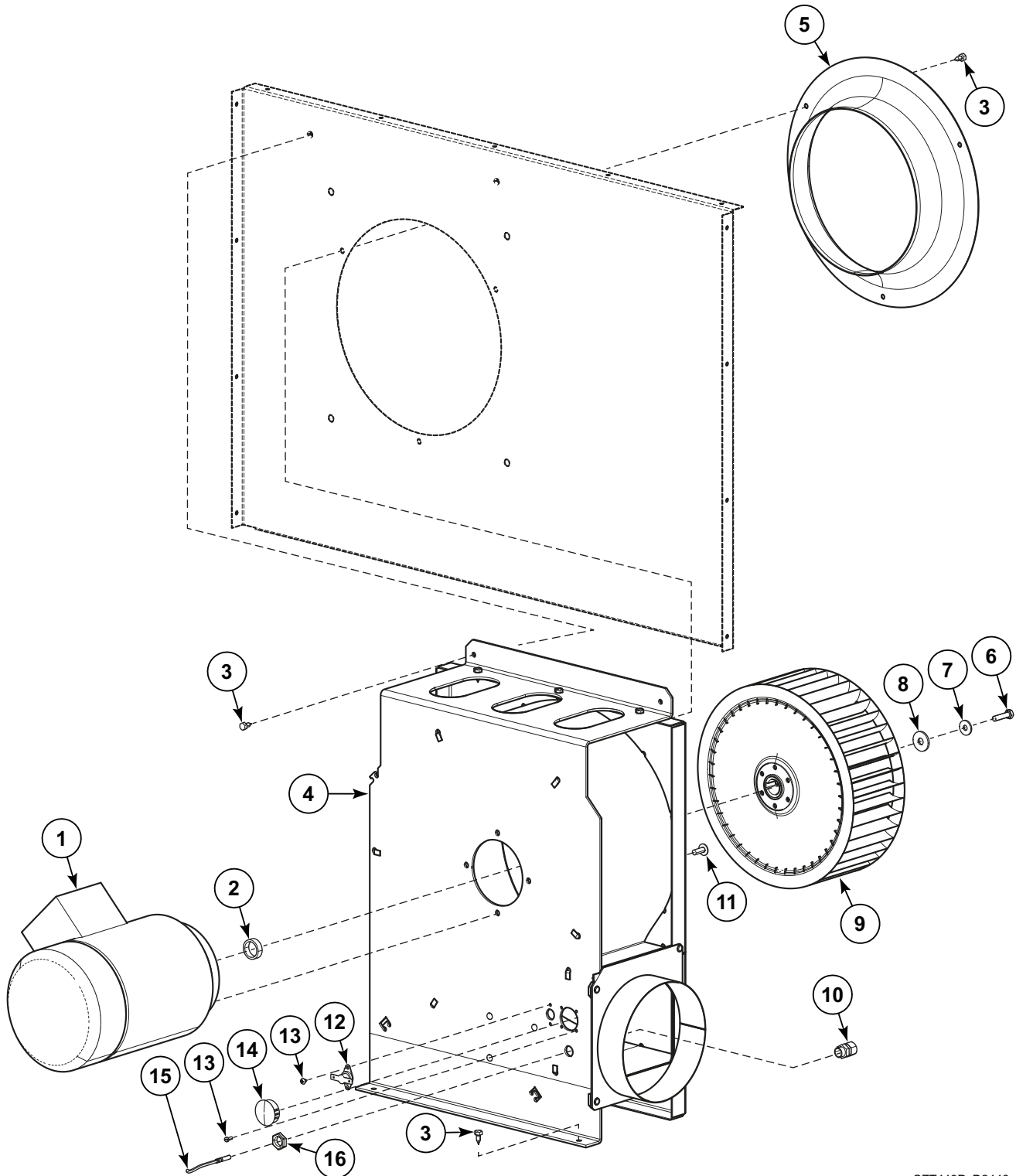
TMB3345P_D2446

Drive System

REF	PART NO.	DESCRIPTION	COMMENTS
	SP528928	Tension Assembly	Includes items 4, 7, 11, 14, 20 and 23-33
1	SP310985000006	Nut	
2	SP311125000006	Washer	
3	SP309933000616	Bolt	
4	SP311125000010	Washer	
5	SP505449	Key	
6	SP512365	Reinforcement Bracket	
7	SP310985000010	Nut	
8	SP514005	Bearing	
9	SP514012	Flange Bearing Body	
10	SP514007	Bearing	
11	SP309933001025	Bolt	
12	SP518646	Double Drum Pulley	
13	SP311902100012	Washer	
14	SP311127000010	Washer	
15	SP518647	Belt	
16	SP515257	Belt	
17	SP518649	Distance Ring	
18	SP512366	Bearing Bracket	
19	SP514011	Flange Bearing Body	
20	SP310934000010	Nut	
21	SP514483	Bearing Flange	
22	SP311902100006	Washer	
23	SP515517	Retaining Ring	
24	SP326000600300	Bearing	
25	SP534703	Double Pulley	
26	SP534704	Tension Rod	
27	SP309933001120	Bolt	
28	SP311125000013	Washer	
29	SP310985000012	Nut	
30	SP515514	Support Plate	
31	SP514479	Tension Assembly	
32	SP514480	Sliding Board	
33	SP311902100010	Washer	
34	SP530720	Motor Pulley	50 Hertz; Reversing
	SP530721	Motor Pulley	60 Hertz; Reversing
	SP527723	Motor Pulley	50 Hertz; Nonreversing
	SP528922	Motor Pulley	60 Hertz; Nonreversing
35	SP515418	Motor Bracket	3 Phase; Reversing
	SP518517	Motor Bracket	1 Phase; Reversing
36	SP523724	Motor	208-240 Volt; 1 Phase; Reversing
	SP523725	Motor	3 Phase; Reversing
37	SP518556	Bolt	
38	SP515521	Spacer	
39	SP512363	Drive Bracket	
40	SP309933001050	Bolt	

Fan Housing Assembly

Gas, Steam and Electric Models

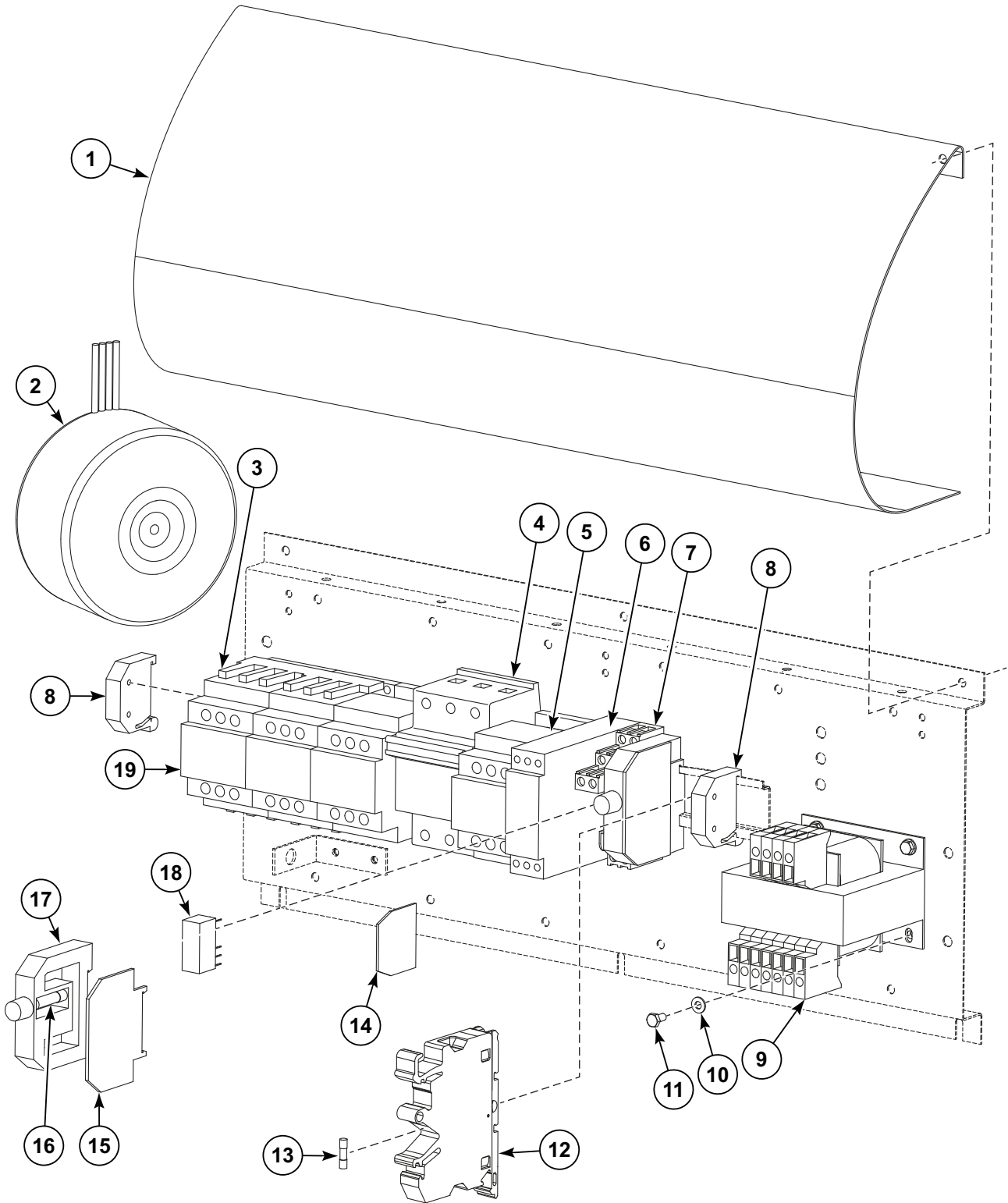


CZT449P_D2446

Fan Housing Assembly

REF	PART NO.	DESCRIPTION	COMMENTS
1	SP523622	Fan Motor	3 phase; Nonreversing
	SP523625	Fan Motor	1 phase; Nonreversing
2	SP520940	Spacer	
3	SP100218	Screw	
4	575503	Fan Housing Weldment	
5	SP520950	Inlet Nozzle	
6	SP309933000625	Bolt	
7	SP311902100006	Washer	
8	SP311902100008	Washer	
9	SP520945	Ventilator	
10	SP101405	Bushing	
11	SP510954	Bolt	
12	SP514016	Safety Thermostat	
13	SP309798500306	Screw	
14	SPPRI505000064	Plug	
15	SP534930	Temperature Sensor	
16	SP101415	Nut	

Electric Box Components - Heat Pump Models

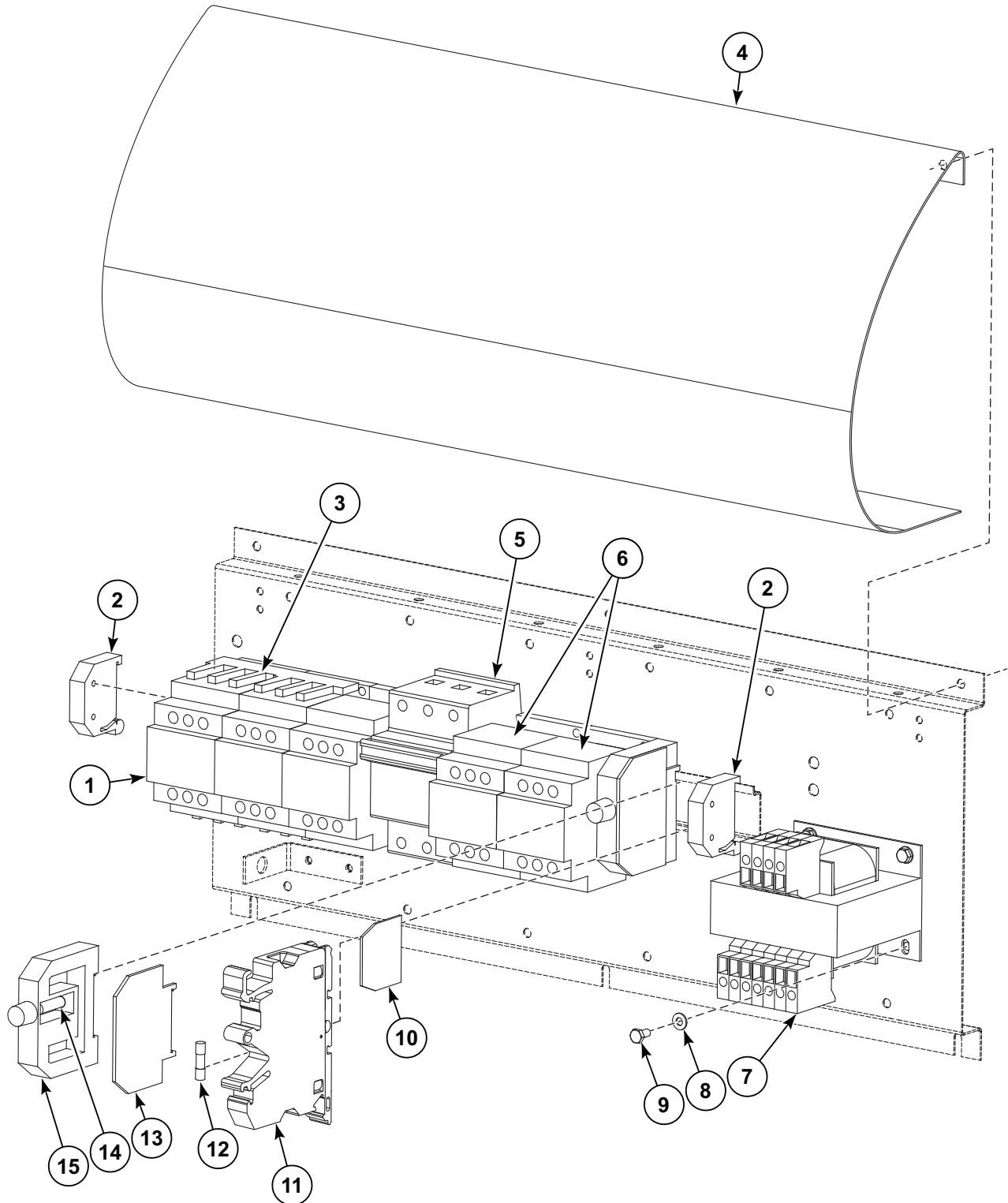


CZT468P_D2446

Electric Box Components - Heat Pump Models

REF	PART NO.	DESCRIPTION	COMMENTS
	SP552248	Autotransformer	440-480 Volt/50 or 60 Hertz/3 Phase
1	530518	Electric Box Cover	
2	SP552201	Autotransformer	
3	569858	Mechanical Interlock Unit	Need to use with 569859 Set for Reversing Contactors
4	SP358251506220	Fuse	
	SP358251601312	Fuse Isolator	
5	569857	Contactor	208-240V 1AC
	569856	Contactor	208-240V 3AC; 380-415V 3AC+N
6	SP552311	Control Relay	
7	SP506586	Relay Case	Including Relay Clamp
8	SP346000209101	End Stop	
9	SP514021	Transformer	208-440 Volt
10	SP311125000004	Washer	
11	SP309084000410	Bolt	
12	552482	Fuse Housing	
13	SP345805005020	Fuse	250 Volt; T500mA
	SPPRI401001021	Fuse	250 Volt; F4A
14	552483	End Cover	
15	SP346000014010	Cover	
16	SP514133	Fuse	500 Volt, F500mA; 440 Volt; 380-415 Volt
17	SP346000004010	Fuse Case	
18	SP514057	Relay	
19	569856	Contactor	

Electric Box Components - Electric Models

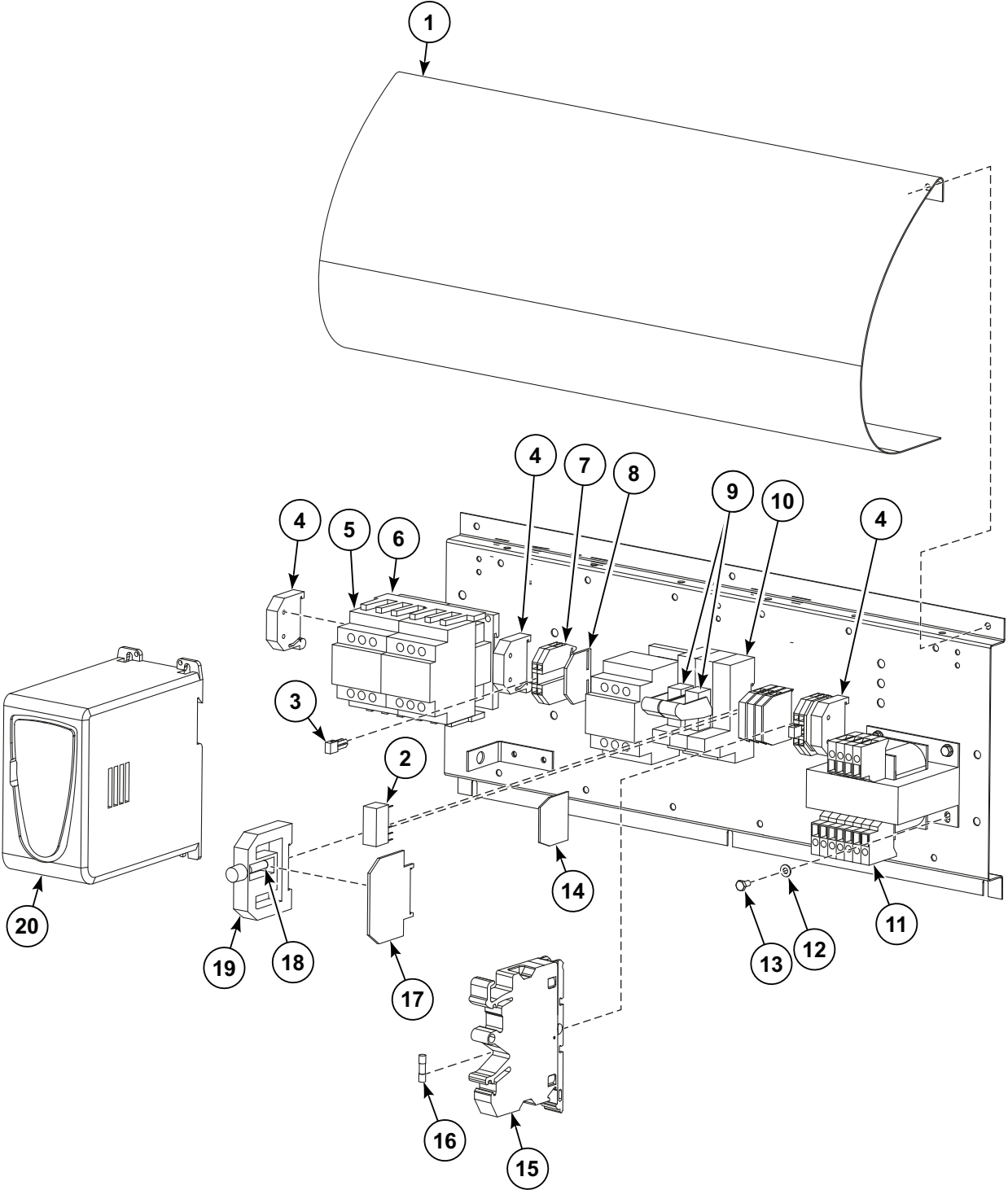


CZT456P_D2446

Electric Box Components - Electric Models

REF	PART NO.	DESCRIPTION	COMMENTS
	SP552248	Autotransformer	440-480 Volt/50 or 60 Hertz/3 Phase
1	569856	Contactactor	
2	SP346000209101	End Stop	
3	569858	Mechanical Interlock Unit	Need to use with 569859 Set for Reversing Contactors
4	530518	Electric Box Cover	
5	SP358251506220	Fuse	6A
	SP358251601312	Fuse Isolator	
6	569856	Contactactor	400-440V 12kW, 18kW or 24 kW
	569873	Contactactor	230V 18 kW need to use with 569856; 230V 24 kW
7	SP514021	Transformer	208-440 Volt
8	SP311125000004	Washer	
9	SP309084000410	Bolt	
10	552483	End Cover	
11	552482	Fuse Housing	
12	SP345805005020	Fuse	250 Volt; T500mA
	SPPRI401001021	Fuse	250 Volt; F4A
13	SP346000014010	Cover	
14	SP514133	Fuse	500 Volt, F500mA; 440 Volt; 380-415 Volt
15	SP346000004010	Fuse Case	

Electric Box Components - Gas and Steam Models



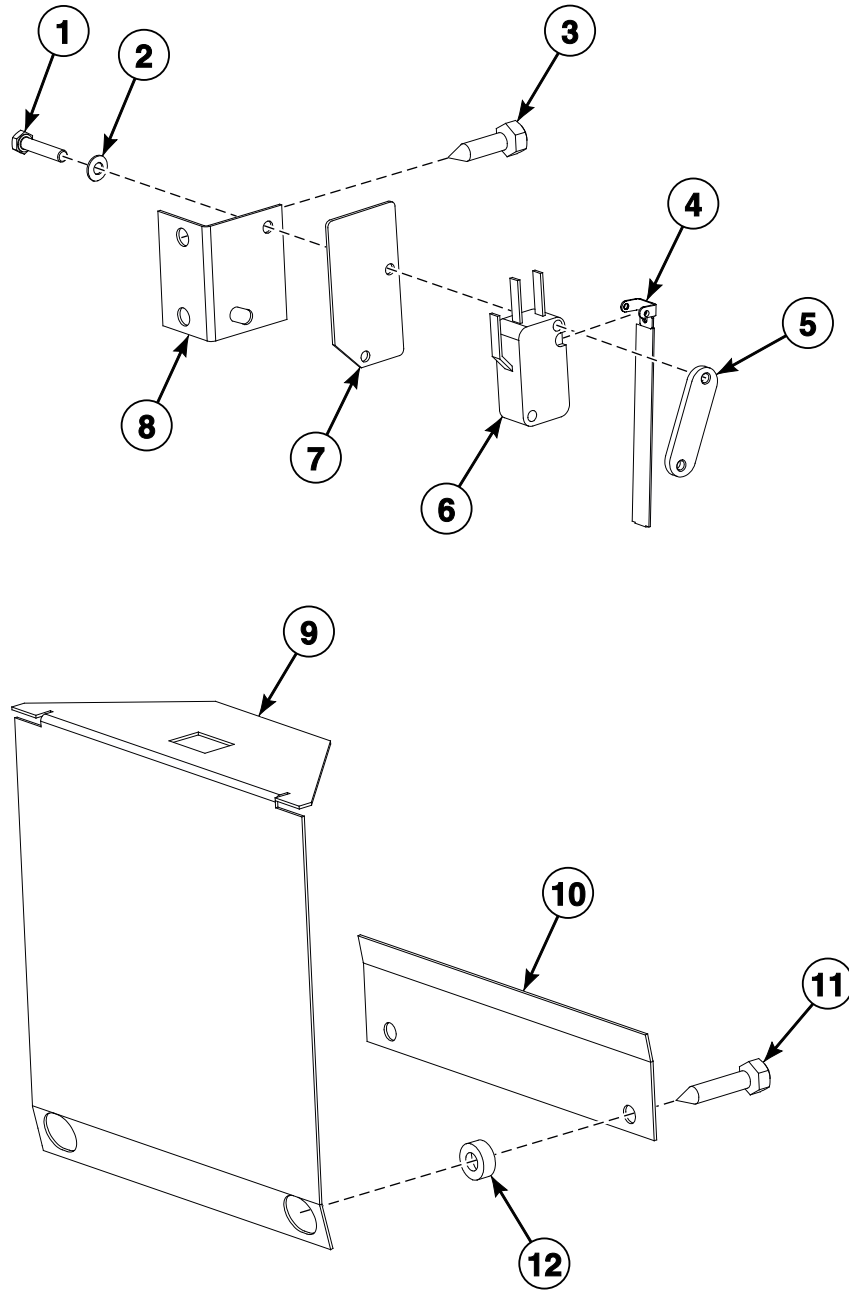
CZT469P_D2446

Electric Box Components - Gas and Steam Models

REF	PART NO.	DESCRIPTION	COMMENTS
	SP552248	Autotransformer	440-480 Volt/50 or 60 Hertz/3 AC
1	530518	Electric Box Cover	
2	SP514134	Relay	220VAC; Gas models
3	SP346000280402	Interconnection	
4	SP346000209101	End Stop	
5	569856	Contactator	
	SP520195	Resistance Bleeder	Reversing
6	569858	Mechanical Interlock Unit	Need to use with 569859 Set for Reversing Contactors
7	SP346000280101	Clamp	
8	SP346000280301	Cover	
9	SP514057	Relay	24VAC; Gas models
10	SP506586	Relay Case	Gas models; Including Relay Clamp
11	SP514021	Transformer	14.2V plus 24V; 208-440 Volt
	SP516648	Transformer	380-415 Volt without N
12	SP311125000004	Washer	
13	SP309084000410	Bolt	
14	552483	End Cover	
15	552482	Fuse Housing	
16	SPPRI401001021	Fuse	250 Volt F4A
	SP345805005020	Fuse	250 Volt T500mA
	SPPRI401020021	Fuse	1.6A
17	SP346000014010	Cover	
18	SP514133	Fuse	500 Volt, F500mA; 440 Volt; 380-415 Volt
	SP345805163032	Fuse	1A
19	SP346000004010	Fuse Case	
20	SP557962	Frequency Inverter	

Under Pressure Clutch

Gas, Steam and Electric Models



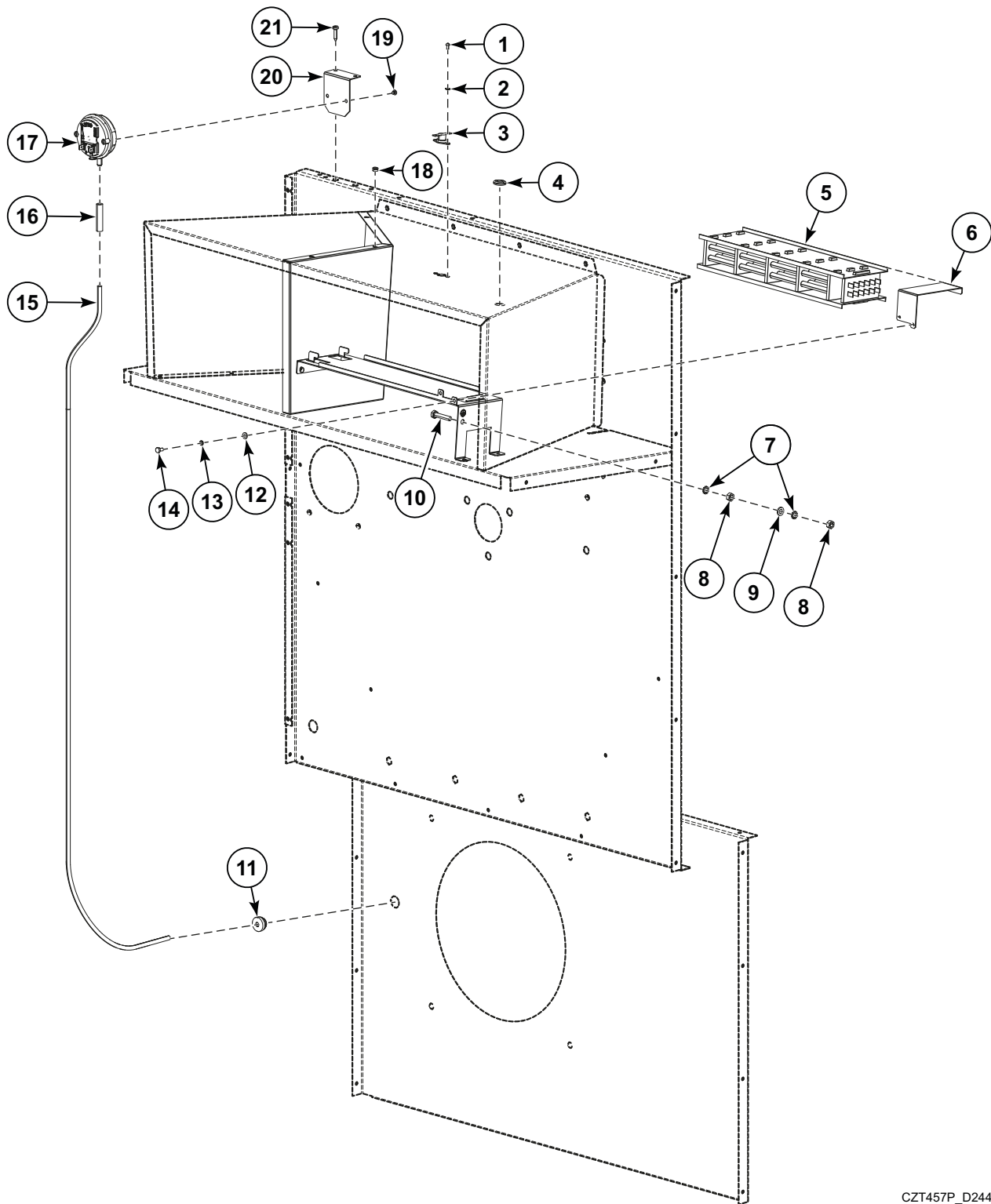
TMB3370P_D2446

Under Pressure Clutch

REF	PART NO.	DESCRIPTION	COMMENTS
	SP520870	Underpressure Clutch Assembly	Includes items 1-12
1	SP516623	Bolt	
2	SP311125000003	Washer	
3	SP518623	Bolt	
4	SP517441	Microswitch Lever Assembly	
5	SP235119001815	Nut	
6	SPPRI610028017	Microswitch	
7	SP101154	Isolation Plate	
8	SP520803	Microswitch Bracket	
9	SP520805	Clutch	
10	SP520808	Stop End	
11	SP520871	Screw	
12	SP520804	Distance Ring	

Heat Pump Booster

Heat Pump Booster Models

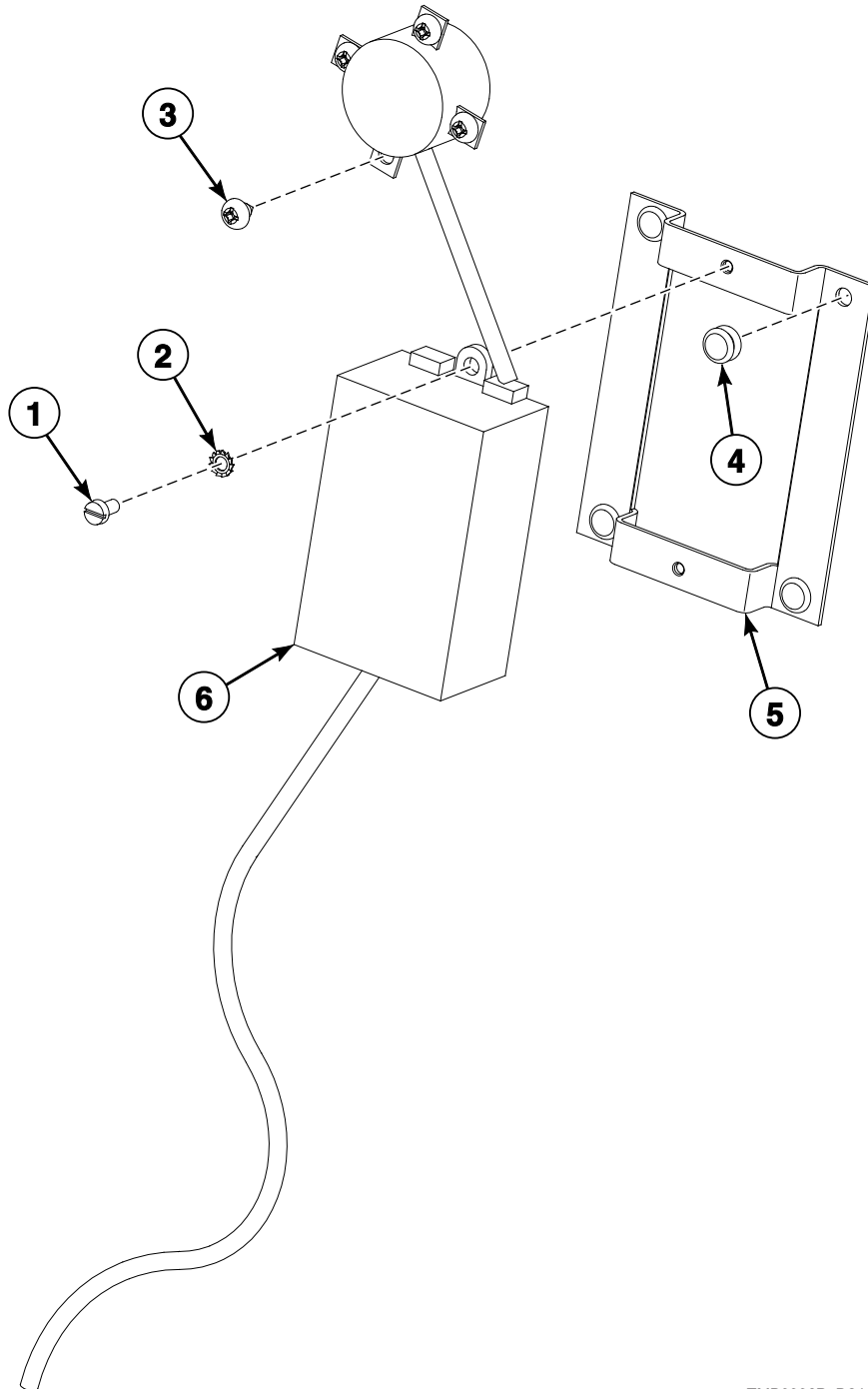


CZT457P_D2446

Heat Pump Booster

REF	PART NO.	DESCRIPTION	COMMENTS
1	SP309798500306	Bolt	M3x6
2	SP311125000003	Washer	M3
3	SP527728	Safety Thermostat	
4	PRI501000069	Cable Grommet	
5	581425	Heater	3kW/230V
6	581434	Heater Cover	
7	SP311679824006	Washer	M6
8	SP310934100006	Nut	M6
9	SP311125240006	Washer	M6
10	SP309933100625	Bolt	M6x25
11	SP526439	Temperature Sensor Seal	
12	SP311125240004	Washer	M4
13	SP311127240004	Washer	M4
14	SP309798524408	Bolt	M4x8
15	SP319300006001	Hose	51.18 inch (1.3m)
16	SP273030000502	Hose	5x2
17	575487	Differential Pressure Switch	
18	SP313250004063	Rivet	
19	SP517238	Screw	ST3.5x6.5
20	575488	Switch Holder	
21	SP518623	Bolt	ST4.2x9.5

Humidity Sensor

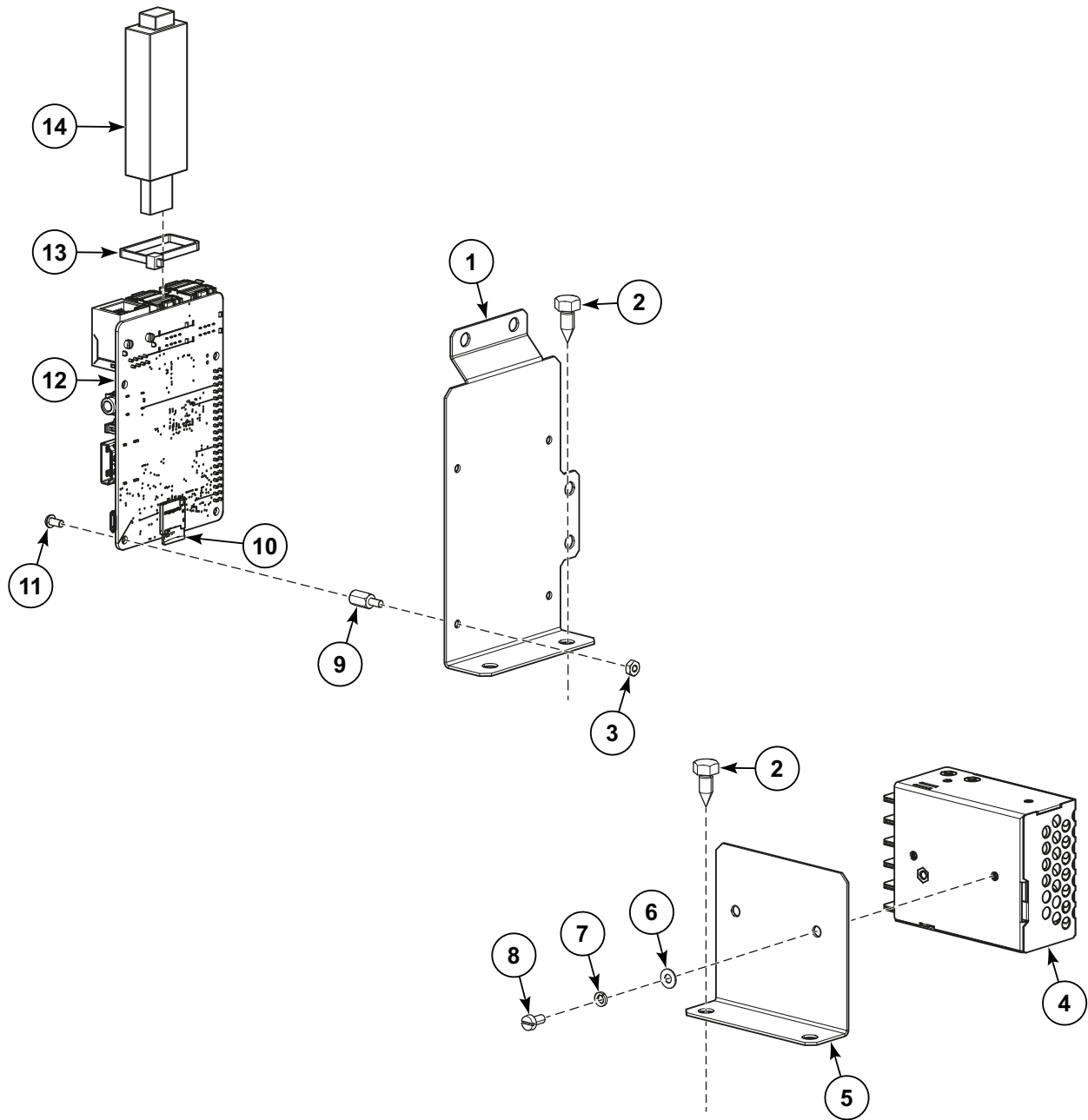


TMB3336P_D2446

Humidity Sensor

REF	PART NO.	DESCRIPTION	COMMENTS
	SP532002	Dust Cap Humidity Sensor	
	SP518562	Humidity Sensor Assembly	Includes items 1-6
1	SP309084000306	Bolt	
2	SP311679800003	Washer	
3	SP309798500306	Screw	
4	SP313250004075	Rivet	
5	SP518563	Sensor Holder	
6	SP102456	Humidity Sensor	

WiFi Connection

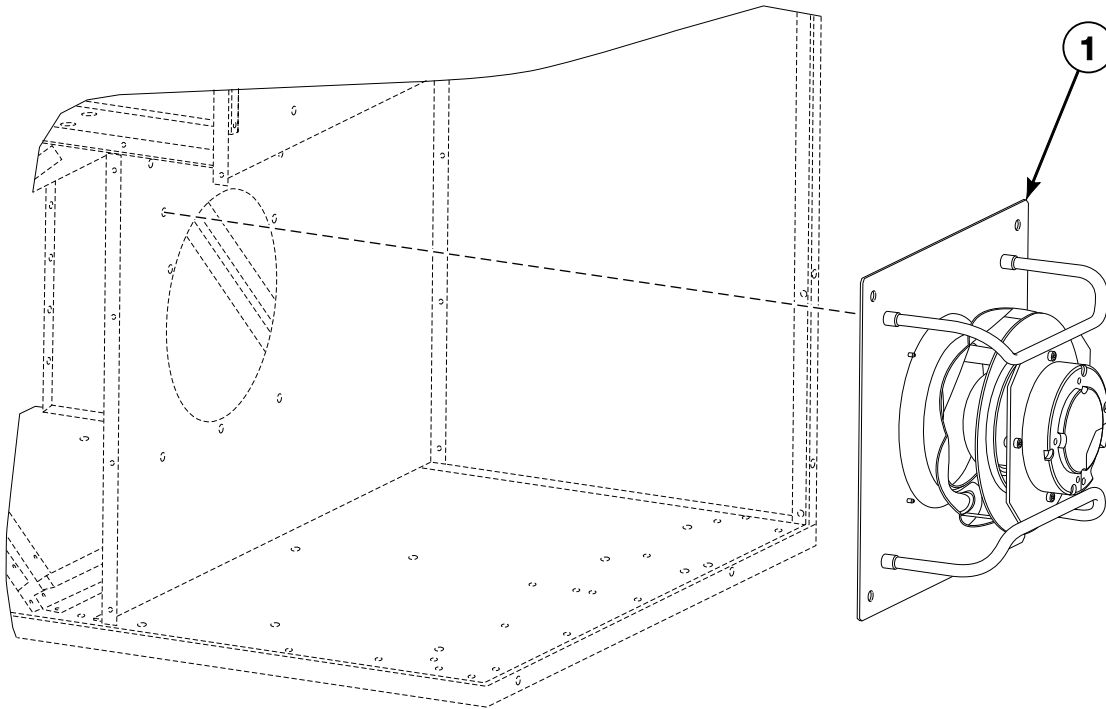


CZT446P_D2446

WiFi Connection

REF	PART NO.	DESCRIPTION	COMMENTS
	573395	WiFi Service kit	Includes items 1-14, items 575872, 575873, 575866 and Flash Memory with Firmware
	575872	Power Supply Cable	
	575873	WiFi Cable	
	575866	Power Supply Harness	Micro USB-B
1	573393	Control Board Holder	
2	SP100218	Screw	ST4.8x13
3	573392	Nut	M2.5
4	575864	Power Supply	
5	573394	Power Supply Holder	
6	SP311125000003	Washer	M3
7	SP311127000003	Washer	M3
8	SP309084000306	Bolt	M3x6
9	573390	Spacer	M2.5x8
10	553442	MicroSD Card	16GB
11	573391	Bolt	M2.5x5
12	553440	Control Board	
13	SP345000626088	Binding Strip	
14	529102	Converter	USB RS485 - Nano

Ventilator - Heat Pump Models



TMB3354P_D2446

Ventilator - Heat Pump Models

REF	PART NO.	DESCRIPTION	COMMENTS
	SP534930	Temperature Sensor	
1	SP552675	Ventilator	

Parts Index

A

Access Cover	
SP530796	11, 13
SP557136	11
Adhesive	
SP245704003021	19, 21
Adjustable Foot	
SPPRI504000001	11, 15
Autotransformer	
SP552201	47
SP552248	47, 49, 51

B

Back Seal	
SP527801	11, 13
579537	11, 13
Base	
SP541489	35
Bearing	
SP326000600300	43
SP514005	43
SP514007	43
Bearing Bracket	
SP512366	43
Bearing Flange	
SP514483	43
Belt	
SP515257	43
SP518647	43
Binding Strip	
SP345000626088	59
Blank Plate Kit	
SP102019	25
Bolt	
SPPRI202001001	25, 31
SP309084000306	57, 59
SP309084000410	47, 49, 51
SP309084000412	37, 39
SP309084000416	33
SP309084000420	37
SP309798500306	9, 55
SP309798524408	27, 55
SP309933000416	11, 13
SP309933000516	25, 41
SP309933000616	23, 39, 43
SP309933000625	35, 45
SP309933000630	11, 13
SP309933001025	43
SP309933001050	43
SP309933001120	43
SP309933100625	37, 55
SP309933240412	5, 9, 11, 13
SP309966240410	5
SP506012	33, 39
SP510954	45
SP515075	5, 21
SP516623	53
SP516693	11, 15
SP518556	43

SP518623	53, 55
SP518719	11, 15
SP524367	19, 21
SP525030	17
SP525101	19, 21
SP533726	35
SP534908	41
SP537864	33
SP545529	11, 15
573391	59

Box	
SP556044	37
Box Assembly	
SP556043	37
Bracket	
SP541436	35
Burner Tube	
SP552515	25, 27
Bushing	
SP101405	33, 45
SP101406	33, 37, 39
SP101408	33, 37
SP273121011001	11, 13
SP273121013002	11, 13

C

Cabinet	
SP552660	33
Cable Grommet	
PRI501000069	55
Chain	
SP521266	7
Clamp	
SP346000280101	51
SP529013	41
Clip	
SP502214	37
Clutch	
SP520805	53
Coil	
SP516717	31
Coin Vault	
SP321848140028	11, 13
573350	11, 13
Coin Vault Assembly	
573370	11, 13
Coin Vault Cover	
SP515291	5
Coin Vault Frame	
SP501514	5
Coin Vault Frame Bracket	
SP524394	5
Connector	
345000180901	25
Contact	
345000160645	25
Contacto	
569856	47, 49, 51
569857	47

N/A items do not appear in index.

569873	49
Control Board	
SP102457	9
SP556608	9
553440	59
Control Board Holder	
573393	59
Control Panel	
SP560106	9
SP560111	9
SP560112	9
SP560113	9
SP560114	9
Control Panel Assembly	
SP559883	9
SP559884	9
SP559885	9
SP559886	9
SP560101	9
SP560115	9
SP560116	9
SP560117	9
SP560118	9
571930	9
574514	9
575431	9
Control Relay	
SP552311	47
Control Unit	
571938	27
Converter	
529102	59
Cover	
SP346000014010	47, 49, 51
SP346000280301	51
SP512139	25, 27
SP541434	35
SP541435	35
SP551860	35
SP566301	35
537625	27
566259	35

D

Detection Electrode	
SP102002	25
Differential Pressure Switch	
575487	55
Distance Ring	
SP518649	43
SP520804	53
Door	
SP524364	19
SP556552	19
SP559701	19
579509	21
579510	21
Door Assembly	
SP524359	19
SP556558	19
SP556559	19
SP556561	19
SP559703	19
559702	19

579505	21
579506	21
579507	21
579508	21
Door Glass	
SP512053	19, 21
Door Plastic Layer	
580338	21
Door Ring	
SP534873	19, 21
Door Switch Assembly	
SP520404	11, 15
Door Switch Holder	
SP520403	11, 15
Double Drum Pulley	
SP518646	43
Double Pulley	
SP534703	43
Drive Bracket	
SP512363	43
Drum	
577766	17
577769	17
Drum Assembly	
577704	17
577726	17
Dust Cap Humidity Sensor	
SP532002	57

E

Elbow	
SP527236	39
572350	27
572352	27
Elbow Bracket Assembly	
SP556943	39
Electric Box Cover	
530518	47, 49, 51
Electrode Bracket	
SP512141	25
Emergency Stop Connector	
SP528311	9
Emergency Stop Knob	
SP528310	9
End Cover	
552483	47, 49, 51
End Stop	
SP346000209101	47, 49, 51
Exhaust Assembly	
SP534910	41
Exhaust Bracket	
SP530689	41
Exhaust Cover	
SP545533	11, 15

F

Fan	
SP528481	33

N/A items do not appear in index.

Fan Assembly	
SP541496	33
Fan Cover	
SP541484	33
Fan Holder	
SP541495	33
Fan Housing Weldment	
575503	45
Fan Motor	
SP523622	45
SP523625	45
Filling Hose Pipe	
SPPRI505000054	39
SP101621	39
Filter	
SP512324	11, 15
SP519027	31
SP552251	37
Filter Assembly	
SP560162	11
Filter Panel Assembly	
SP530630	7
SP530631	7
SP530633	7
SP530634	7
SP555961	7
SP555962	7
SP559827	7
SP559828	7
Fine Filter	
SP560160	11
Fixation Ring	
579515	21
580339	21
Flame Detection Cable	
SP516057	25
Flange	
SP102018	25
SP514062	25
Flange Bearing Body	
SP514011	43
SP514012	43
Flap Assembly	
SP534902	41
Flap Stop	
SP534900	41
Frequency Inverter	
SP557962	51
571478	37
Front Panel Assembly	
SP530620	5
SP530621	5
SP530622	5
SP530623	5
SP545542	5
SP545543	5
SP555996	5
SP555997	5
SP555998	5
SP559831	5
SP559832	5
SP559833	5
Front Seal	
SP518505	11, 13

Fuse	
SPPRI401001021	47, 49, 51
SPPRI401020021	51
SP345805005020	47, 49, 51
SP345805163032	51
SP358251506220	47, 49
SP514133	47, 49, 51
SP557786	23
Fuse Case	
SP346000004010	47, 49, 51
Fuse Housing	
552482	47, 49, 51
Fuse Isolator	
SP358251601312	47, 49

G

Gas Heater Box	
SP512130	25
569440	27
Gas Valve	
SP102000	25
SP520281	25
572351	27
Gas Valve Cable	
SP357500459412	25
Gas Valve Wiring	
520098	25
Gasket	
SP101275	9
Glue	
SP534969	19, 21

H

Handle	
579513	21
579514	21
Heat Pump	
SP556082	33
SP556083	33
SP556084	33
SP556085	33
SP556090	33
SP556091	33
SP556092	33
SP556093	33
SP556659	33
SP556660	33
SP556663	33
SP556664	33
Heater	
581425	55
Heater Box	
SP528941	23
Heater Cover	
581434	55
Heating Element	
SP510984	23
SP510985	23
Heating Element Bracket	
SP527900	23

N/A items do not appear in index.

Holder	
569446	27
571880	27
571884	27
Hose	
SPPRI540000014	39
SP273030000502	55
SP273454410020	25
SP319300006001	55
Hose Clamp	
SPPRI240000002	39
Hose Pipe	
SP101745	39
Humidity Sensor	
SP102456	57
Humidity Sensor Assembly	
SP518562	57
Humidity Sensor Cover	
SP551869	33

I

Ignition Cable	
SP516060	25
571487	27
Ignition Electrode	
575643	25, 27
Ignition Unit	
SP357456010080	25
Inlet Nozzle	
SP520950	45
Insulation	
SP552666	39
Interconnection	
SP346000280402	51
Isolation Plate	
SP101154	11, 15, 53

K

Key	
SP505449	43

L

Latch	
SP514530	5, 19, 21
Lath	
SP524582	19, 21
SP556553	19
SP559706	19, 21
Lock	
SPPRI610000007	7, 9
SP521221	7
Lock Hook	
SPPRI610001007	7, 9
SP534645	11, 13
Lower Door Hinge	
SP525104	19, 21
SP556554	19
SP559704	19, 21

Lower Rear Cover	
SP530799	13

M

Magnet	
564203	19, 21
Main Switch	
SPPRI404000097	11, 13
SPPRI404000098	13
SPPRI404000099	13
SPPRI404000100	13
Main Switch Knob	
SPPRI404000095	11, 13
Mechanical Interlock Unit	
569858	49
Mechanical Interlock Unit	
569858	47, 51
Memory	
SP526001	9
102471	9
102472	9
545269	9
545270	9
572334	9
572335	9
MicroSD Card	
553442	59
Microswitch	
SPPRI610011077	11, 15
SPPRI610028017	53
SP506045	11, 15
SP517484	11, 15
Microswitch Bracket	
SP520803	53
Microswitch Lever Assembly	
SP517441	53
Motor	
SP523724	43
SP523725	43
Motor Bracket	
SP515418	43
SP518517	43
Motor Pulley	
SP527723	43
SP528922	43
SP530720	43
SP530721	43

N

Nozzle	
SP512067	25
SP556922	39
Nozzle Adapter	
SP556916	39
Nozzle Bracket Assembly	
SP556919	39
Nozzle Fitting Adapter	
SP556915	39
Nozzle Holder Assembly	
SP556920	39

N/A items do not appear in index.

Nut	
SPPRI610005007	9
SPPRI610006007	9
SP101415	33, 45
SP101416	33, 37, 39
SP101418	33, 37
SP235119001815	53
SP310934000006	27, 35
SP310934000010	11, 15, 17, 43
SP310934000020	35
SP310934100006	37, 55
SP310934240004	19, 21
SP310934240005	25, 27, 31
SP310985000006	11, 13, 43
SP310985000010	43
SP310985000012	43
SP514193	9, 11, 13, 21
SP534929	41
SP545530	11, 15
573392	59

O

Orifice	
517222	25, 29
517223	25, 29
517224	29
517225	25, 29
517226	25, 29
517227	25, 29
517241	25, 29
517243	25, 29
517245	25, 29
517246	25, 29
517250	25, 29
517251	25, 29
517252	25, 29
517253	25, 29
517257	25, 29
517258	25, 29
517327	25, 29
517328	25, 29
517329	25, 29
517330	25, 29
517331	25, 29
517337	25, 29
520236	25, 29
520237	25, 29
520399	25, 29
525465	29
525466	25, 29
530819	25, 29
530820	25, 29
575530	29
Outer Door Gasket	
SP519933	19, 21
Overlay	
SP556100	9
SP559863	9
SP559864	9

P

Pin Insertion	
SP520408	7

Plastic Layer Holder	
580337	21
Plug	
SPPRI505000064	45
SP273127001798	41
SP345900025012	7
SP520297	23
SP534904	41
Power Supply	
575864	59
Power Supply Cable	
575872	59
Power Supply Harness	
575866	59
Power Supply Holder	
573394	59

R

Reinforcement Bracket	
SP512365	43
Relay	
SP514057	47, 51
SP514134	51
Relay Case	
SP506586	47, 51
Resistance Bleeder	
SP520195	51
Retaining Ring	
SP515517	43
Rinsing System Bracket	
SP556954	39
Rivet	
SP313250004063	55
SP313250004075	57
Rod	
SP517486	11, 13

S

Safety Thermostat	
SP514016	45
SP514127	23, 25, 27, 31
SP527728	55
Screw	
SP100218	11, 13, 25, 27, 41, 45, 59
SP309798100313	23
SP309798500306	45, 57
SP517238	25, 27, 31, 55
SP520407	7
SP520871	53
SP529206	35
572361	27
Sensor Holder	
SP518563	57
Shim	
SP529082	9
Side Panel	
SP541424	33
SP541425	33
SP556005	33
SP556007	33
SP556649	33

N/A items do not appear in index.

SP556650	33
Sliding Board	
SP514480	43
Spacer	
SP515521	43
SP520940	45
573390	59
Spring	
SPPRI611000009	11, 13
Steam Exchanger	
SP530409	31
SP530410	31
Steam Filter	
SP405054057006	31
Steam Valve	
SP516718	31
Steam Valve Body	
SP514166	31
Stirrup	
577644	27
Stop End	
SP520808	53
Stop Pin	
SP520201	19, 21
Support Plate	
SP515514	43
Switch	
SP100388	11, 13
Switch Holder	
575488	55
Switch Panel	
SP520890	13
SP520891	11
Switching Unit	
SP528312	9
Swivel Wheel Assembly	
SP541494	35
SP551864	35

T

Temperature Sensor	
SP516092	23, 25, 27
SP534930	45, 61
Temperature Sensor Seal	
SP526439	55
Tension Assembly	
SP514479	43
SP528928	43
Tension Rod	
SP534704	43
Thermostat Bracket	
SP520227	31
SP541457	35
Time Relay	
581723	39
Transformer	
SP514021	47, 49, 51
SP516648	51
Trunnion	
SP514957	17
Tube	
SP144151508341	41

N/A items do not appear in index.

SP314G00017524	31
SP512142	25
SP517236	31
SP534914	41
571881	27
571928	27
Tube Insert	
SPX01140400514	31

U

Underpressure Clutch Assembly	
SP520870	53
Upper Cover	
SP530795	11, 13
SP557133	11
Upper Door Hinge	
SP525105	19, 21
SP556555	19
SP559705	19, 21
Upper Rear Cover	
SP530798	13
569441	13

V

Valve	
SP556959	39
Valve Bracket	
SP512144	25
Valve Bracket Assembly	
SP556946	39
Valve Cover Assembly	
SP556947	39
Ventilator	
SP520945	45
SP552675	61

W

Washer	
SPPRI522000012	7, 9
SP311125000003	11, 15, 25, 53, 55, 59
SP3111250000045, 9, 11, 13, 27, 33, 37, 39, 47, 49, 51	
SP311125000005	25, 31
SP311125000006	23, 27, 35, 39, 43
SP311125000010	11, 15, 17, 43
SP311125000013	43
SP311125100006	37
SP311125240004	55
SP311125240006	55
SP311127000003	11, 15, 59
SP311127000004	5, 11, 13, 27, 33, 37, 39
SP311127000005	25, 31
SP311127000006	23, 27, 39
SP311127000010	43
SP311127240004	55
SP311679800003	9, 57
SP311679800004	37
SP311679824006	35, 37, 55
SP311902100006	33, 43, 45
SP311902100008	45

SP311902100010.....	43
SP311902100012.....	43
SP510697	17
SP512233	17
SP514906	5
SP516669	23, 25, 27, 41
SP524366	5
SP545531	11, 15
517426	17
WiFi Cable	
575873	59
WiFi Service kit	
573395	59
