

# Tumble Dryers

190 Liters (9 Kilograms) Capacity  
With Full/Flex Control

Refer to Page 3 for Model Numbers



# Table of Contents

Title	Page
Parts Ordering Information .....	2
Serial Plate Location.....	2
Model Identification.....	3
Front Panel Assembly.....	4
Flex/Full Control Components .....	6
Cabinet - Heat Pump Models.....	8
Cabinet - Gas and Electric Models (Drawing 1 of 2).....	10
Cabinet - Gas and Electric Models (Drawing 2 of 2).....	12
Drum Assembly .....	14
Door Assembly .....	16
Door Assembly - Double Layer Door.....	18
Electric Heating Components .....	20
Gas Heating Components - Gas Models Through Serial No. 9T011519QD (Drawing 1 of 2) .....	22
Gas Heating Components - Gas Models Through Serial No. 9T011519QD (Drawing 2 of 2) .....	24
Gas Heating Components - Gas Models Starting Serial No. 9T011520QD (Drawing 1 of 2).....	26
Gas Heating Components - Gas Models Starting Serial No. 9T011520QD (Drawing 2 of 2).....	28
Heat Pump (Drawing 1 of 2) .....	30
Heat Pump (Drawing 2 of 2) .....	32
Heat Pump Rinsing System.....	34
Ventilator - Heat Pump Models.....	36
Ventilator - Gas and Electric Models .....	38
Exhaust - Gas Models .....	40
Exhaust - Electric and Gas Models.....	42
Drive System .....	44
Electric Box Components - Heat Pump Models.....	46
Electric Box Components - Electric Models.....	48
Electric Box Components - Gas Models .....	50
Under Pressure Clutch .....	52
Humidity Sensor .....	54
Parts Index.....	57

© Copyright 2023, Alliance Laundry Systems LLC

All rights reserved. No part of the contents of this book may be reproduced or transmitted in any form or by any means without the expressed written consent of the publisher.

# Parts Ordering Information

If literature or replacement parts are required, contact the source from whom the machine was purchased or contact Alliance Laundry Systems at (920) 748-3950 for the name and address of the nearest authorized parts distributor.

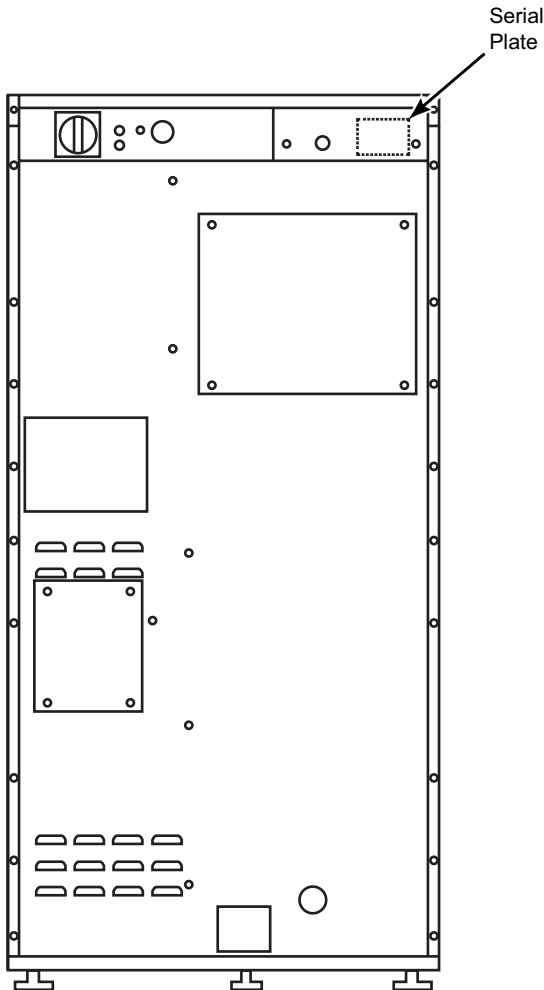
For technical assistance, call the number listed below:

(920) 748-3121 Ripon, Wisconsin

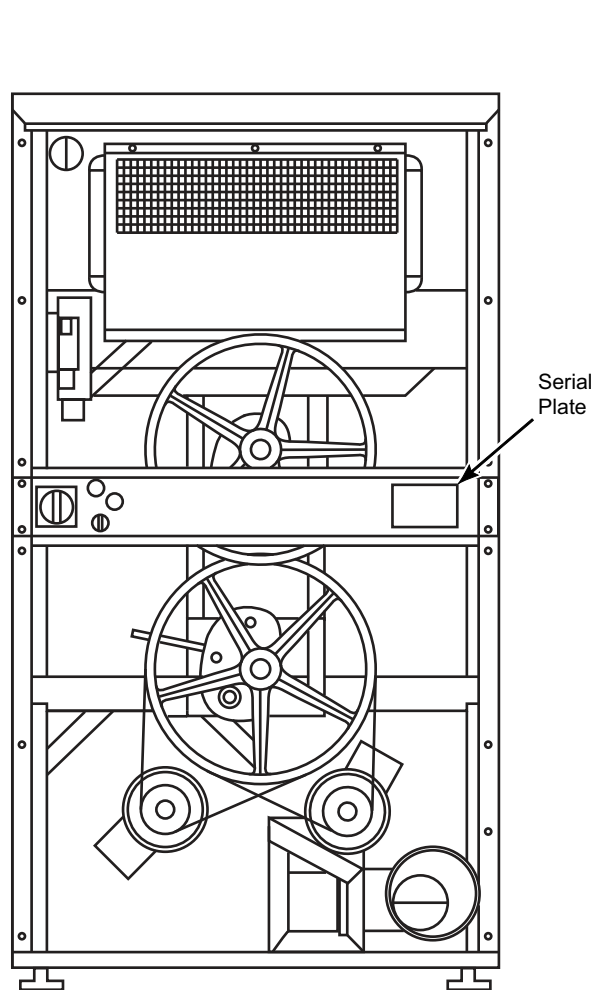
# Serial Plate Location

When calling or writing about your product, be sure to mention model and serial numbers. Model and serial numbers are located on serial plate(s) as shown.

**HEAT PUMP**



**GAS AND ELECTRIC**



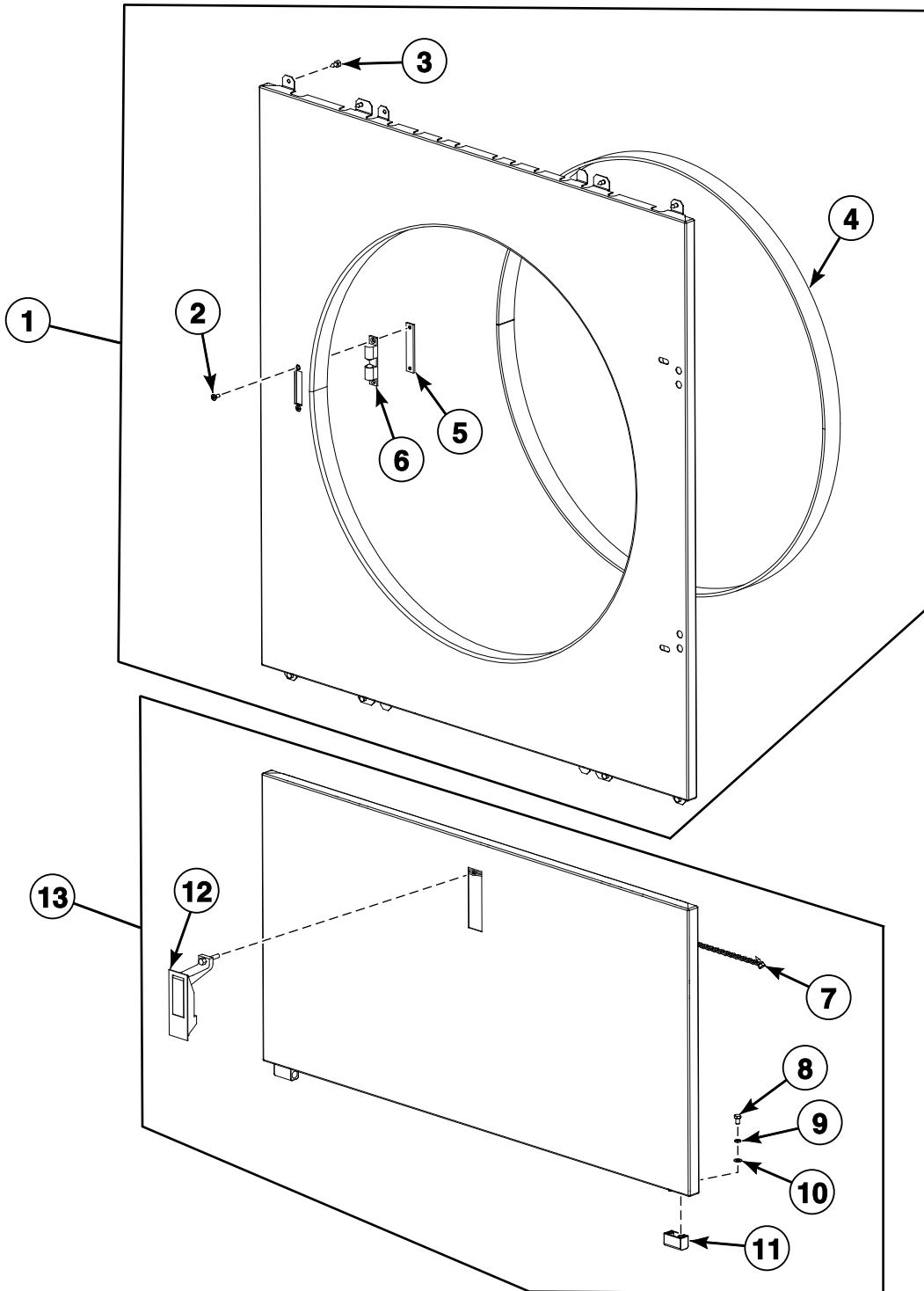
TMB3402P D2450

## Model Identification

Information in this manual is applicable to these tumbler models:

I190_FLEX	LC190TF	NX190TF	SH190HF
IDR190	LH190EF	PC190EF	SH190LF
IHP190	LH190FF	PC190FF	SH190MF
LS195	LH190HF	PC190HF	SH190NF
LS195HP_PROFESSIONAL	LH190LF	PC190LF	SH190TF
SDR190	LH190MF	PC190MF	SU190EF
SHP190_FULL	LH190NF	PC190NF	SU190FF
T9_FULL	LH190TF	PC190TF	SU190HF
T9HP_FULL	LU190EF	PE190EF	SU190MF
UDR190	LU190FF	PE190FF	SX190EF
UHP190_FULL	LU190HF	PE190HF	SX190FF
IC190EF	LU190MF	PE190LF	SX190HF
IC190FF	LX190EF	PE190MF	SX190LF
IC190HF	LX190FF	PE190NF	SX190MF
IC190LF	LX190HF	PE190TF	SX190NF
IC190MF	LX190LF	PH190EF	SX190TF
IC190NF	LX190MF	PH190FF	UC190EF
IC190TF	LX190NF	PH190HF	UC190FF
IE190EF	LX190TF	PH190LF	UC190HF
IE190FF	NC190EF	PH190MF	UC190LF
IE190HF	NC190FF	PH190NF	UC190MF
IE190LF	NC190HF	PH190TF	UC190NF
IE190MF	NC190LF	PU190EF	UC190TF
IE190NF	NC190MF	PU190FF	UE190EF
IE190TF	NC190NF	PU190HF	UE190FF
IH190EF	NC190TF	PU190MF	UE190HF
IH190FF	NE190EF	PX190EF	UE190LF
IH190HF	NE190FF	PX190FF	UE190MF
IH190LF	NE190LF	PX190HF	UE190NF
IH190MF	NE190MF	PX190LF	UE190TF
IH190NF	NE190NF	PX190MF	UH190EF
IH190TF	NE190TF	PX190NF	UH190FF
IU190EF	NH190EF	PX190TF	UH190HF
IU190FF	NH190FF	SC190EF	UH190LF
IU190HF	NH190HF	SC190FF	UH190MF
IU190MF	NH190LF	SC190HF	UH190NF
IX190EF	NH190MF	SC190LF	UH190TF
IX190FF	NH190NF	SC190MF	UU190EF
IX190HF	NH190TF	SC190NF	UU190FF
IX190LF	NU190EF	SC190TF	UU190HF
IX190MF	NU190FF	SE190EF	UU190MF
IX190NF	NU190HF	SE190FF	UX190EF
IX190TF	NU190MF	SE190HF	UX190FF
LC190EF	NX190EF	SE190LF	UX190HF
LC190FF	NX190FF	SE190MF	UX190LF
LC190HF	NX190HF	SE190NF	UX190MF
LC190LF	NX190LF	SE190TF	UX190NF
LC190MF	NX190MF	SH190EF	UX190TF
LC190NF	NX190NF	SH190FF	

# Front Panel Assembly

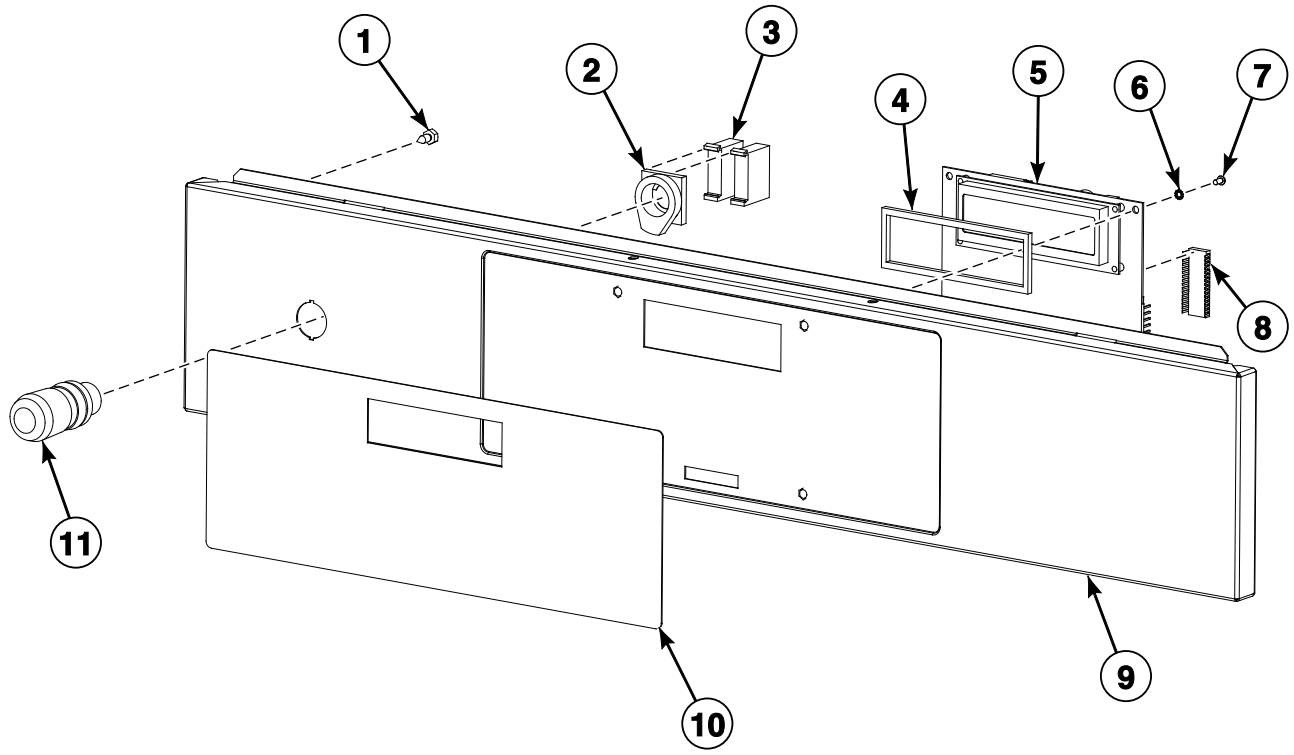


TMB3323P\_D2450

# Front Panel Assembly

REF	PART NO.	DESCRIPTION	COMMENTS
1	559713	Upper Panel Assembly	U models; Includes items 2-6; Imitation stainless steel; I models starting Serial No.9T011535QD; S models starting 1/1/2021
	559716	Upper Panel Assembly	Includes items 2-6; White; I models through Serial No. 9T011534QD; S models through 12/31/2020
	559715	Upper Panel Assembly	L, N, P and T models; Includes items 2-6; Gray
	559714	UpperPanel Assembly	Includes items 2-6; Stainless steel
	559717	Upper Panel Assembly	U models; Includes items 2-6; Right door; Coin; Imitation stainless steel; I models starting Serial No. 9T011535QD; S models starting 1/1/2021
	559720	Upper Panel Assembly	Includes items 2-6; Right door; Coin; White; I models through Serial No. 9T011534QD; S models through 12/31/2020
	559719	Upper Panel Assembly	L, N, P and T models; Includes items 2-6; Right door; Coin; Gray
	559718	Upper Panel Assembly	Includes items 2-6; Right door; Coin; Stainless steel
	559721	Upper Panel Assembly	U models; Includes items 2-6; Left door; Coin; Imitation stainless steel; I models starting Serial No. 9T011535QD; S models starting 1/1/2021
	559724	Upper Panel Assembly	Includes items 2-6; Left door; Coin; White; I models through Serial No. 9T011534QD; S models through 12/31/2020
	559723	Upper Panel Assembly	L, N, P and T models; Includes items 2-6; Left door; Coin; Gray
	559722	Upper Panel Assembly	Includes items 2-6; Left door; Coin; Stainless steel
	2	SP309966240410	Bolt
3	SP100218	Screw	
4	SP517404	Seal	
5	SP514906	Washer	
6	SP514530	Latch	
7	SP521266	Chain	
8	SP521260	Bolt	
9	SP311127000005	Washer	
10	SP311125000005	Washer	
11	SP521222	Hinge	
12	SP521221	Lock	
13	SP521113	Filter Panel Assembly	U models; Includes items 7-12; Imitation stainless steel; I models starting Serial No. 9T011535QD; S models starting 1/1/2021
	559711	Filter Panel Assembly	Includes items 7-12; White; I models through Serial No. 9T011534QD; S models through 12/31/2020
	555953	Filter Panel Assembly	L, N, P and T models; Includes items 7-12; Gray
	SP521261	Filter Panel Assembly	Includes items 7-12; Stainless steel

# Flex/Full Control Components



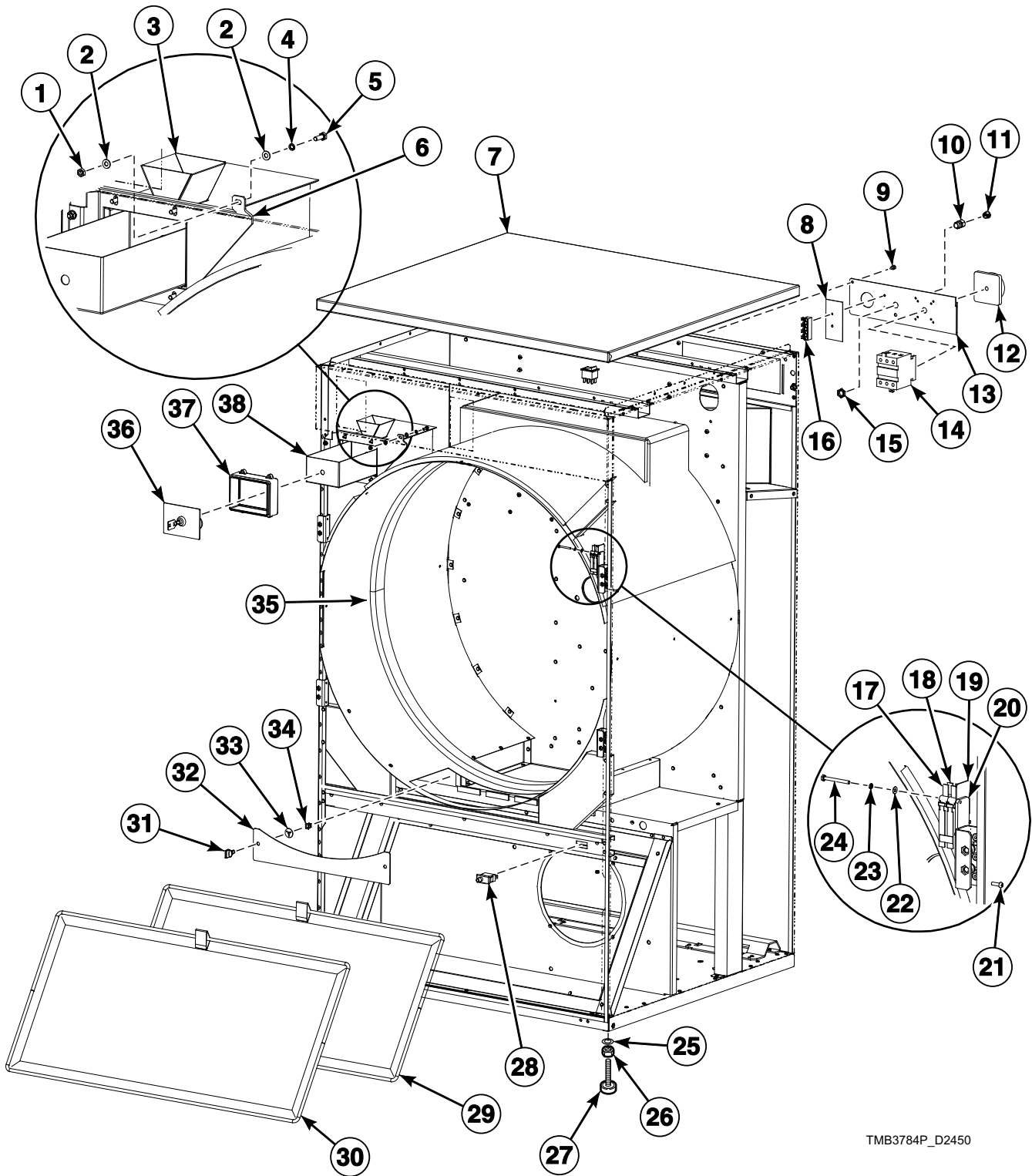
TMB3325P\_D2450



## Flex/Full Control Components

REF	PART NO.	DESCRIPTION	COMMENTS
	559874	Control Panel Assembly	U models; Includes items 1-11; Stainless steel
	559875	Control Panel Assembly	I models; Includes items 1-11; Stainless steel; L and N models through 12/31/2020
	574507	Control Panel Assembly	I models; Includes items 1-11; Imitation stainless steel; Starting Serial No. 9T011535QD
	575459	Control Panel Assembly	L and N models; Includes items 1-11; Stainless steel; Starting January 1, 2021
	571904	Control Panel Assembly	L and N models; Includes items 1-11; Gray; Starting January 1, 2020
	559876	Control Panel Assembly	S models; Includes items 1-11; Stainless steel
	559873	Control Panel Assembly	S models through 12/31/20; Includes items 1-11; White
	575439	Control Panel Assembly	S models starting 1/1/2021; Includes items 1-11; Imitation stainless steel
	559766	Control Panel Assembly	P and T models; Includes items 1-11; Stainless steel
	556621	Control Panel Assembly	U models; Includes items 1-11; Imitation stainless steel
	559768	Control Panel Assembly	I and LS195HP_PROFESSIONAL models; Includes items 1-11; White; Through Serial No.9T011534QD
	559767	Control Panel Assembly	P and T models; Includes items 1-11; Gray
	559769	Control Panel Assembly	P and T models; Includes items 1-11; Black; Through Serial No.9T011534QD
<b>1</b>	SP100218	Screw	
<b>2</b>	SP528311	Emergency Stop Connector	
<b>3</b>	SP528312	Switching Unit	
<b>4</b>	SP101275	Gasket	
<b>5</b>	SP102457	Control Board	S and U models; Green
	SP556608	Control Board	All other models; Gray
<b>6</b>	SP311679800003	Washer	
<b>7</b>	SP309798500306	Bolt	
<b>8</b>	SP526001	Memory	Empty without software version
	102471	Memory	Models without heat pump; Includes SP526001 Memory and EN, CZ, DE, FR, NL, ES, IT, DK, NO software language version
	102472	Memory	Models without heat pump; Includes SP526001 Memory and EN, CZ, RU, SL, HR, HU, PL, BG, RO, TR software language version
	545269	Memory	Models with heat pump; Includes SP526001 Memory and EN, CZ, DE, FR, NL, ES, IT, DK, NO software language version
	545270	Memory	Models with heat pump; Includes SP526001 Memory and EN, CZ, RU, SL, HR, HU, PL, BG, RO, TR software language version
	572334	Memory	Models with heat pump and frequency inverter; Includes SP526001 Memory and EN, CZ, DE, FR, NL, ES, IT, DK, NO Software language version
	572335	Memory	Models with heat pump and frequency inverter; Includes SP526001 Memory and EN, CZ, RU, SL, HR, HU, PL, BG, RO, TR software language version
<b>9</b>	556623	Control Panel	U models; Imitation stainless steel; I models starting Serial No. 9T011535QD; S models starting 1/1/2021
	556631	Control Panel	Model LS195HP_PROFESSIONAL; White; I models through Serial No. 9T011535QD
	556629	Control Panel	L, N, P and T models; Gray
	556630	Control Panel	P and T models; Black
	559764	Control Panel	Stainless steel
<b>10</b>	SP559863	Overlay	U models
	SP559864	Overlay	I, N and S models
	SP556100	Overlay	L, P and T models
<b>11</b>	SP528310	Emergency Stop Knob	

# Cabinet - Heat Pump Models

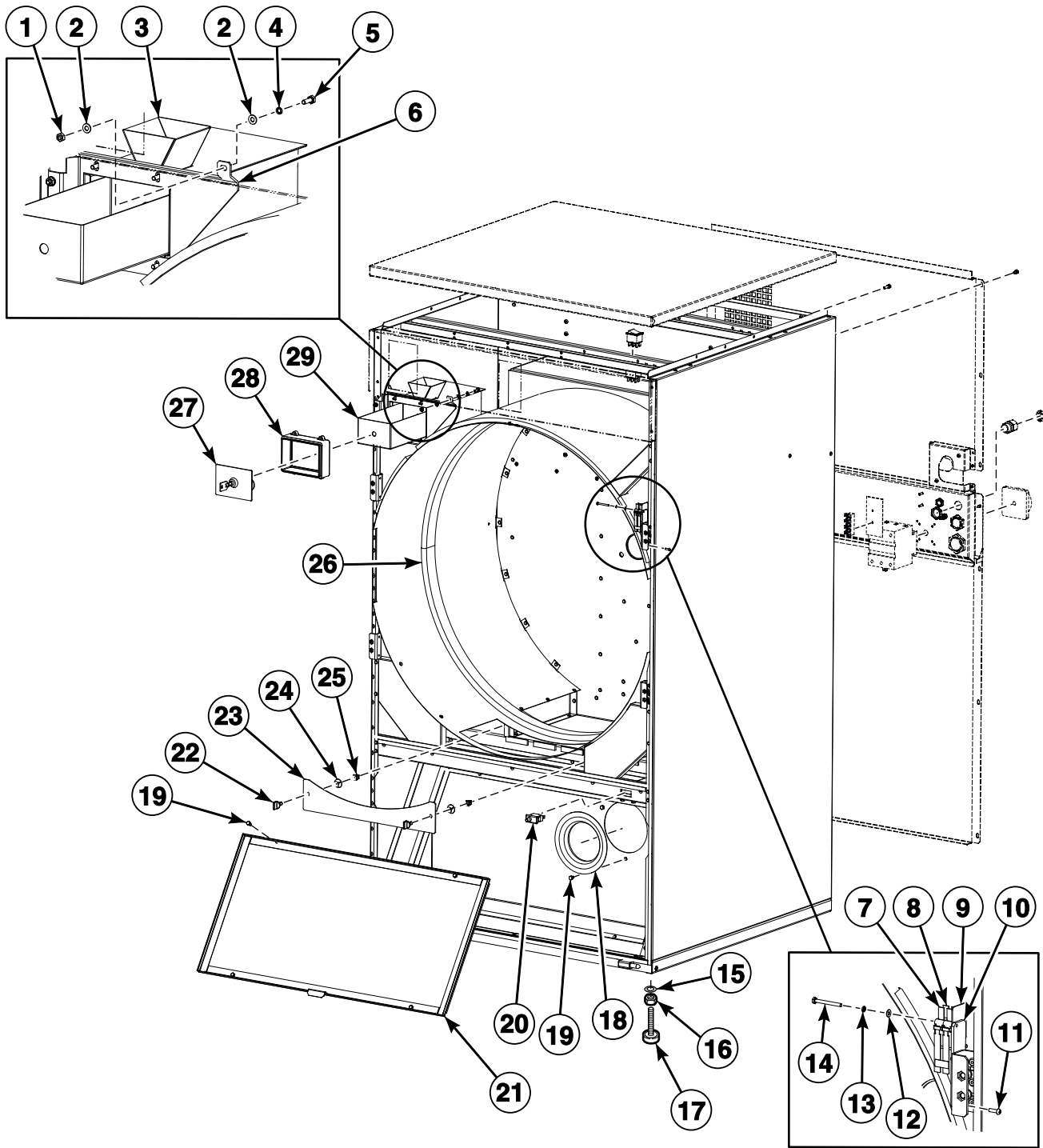


TMB3784P\_D2450

## Cabinet - Heat Pump Models

REF	PART NO.	DESCRIPTION	COMMENTS
	SP520404	Door Switch Assembly	Includes items 17-24
	559747	Coin Vault Assembly	Includes items 1-6 and 36-38
	SP521274	Filter	
	SP100388	Switch	
	SP560161	Filter Assembly	Includes items 29 and 30
1	SP310934000004	Nut	
2	SP311125000004	Washer	
3	SP521329	Coin Vault Box	
4	SP311127000004	Washer	
5	SP309933240412	Bolt	
6	SP559746	Coin Vault Bracket	
7	SP521153	Upper Cover	U models; Imitation stainless steel; I models starting Serial No. 9T011535QD; S models starting 1/1/2021
	SP559708	Upper Cover	I models through Serial No. 9T011534QD; S models through 12/31/2020; White
	SP556012	Upper Cover	L, N, P and T models; Gray
	SP521247	Upper Cover	Stainless steel
8	SPPRI350012007	Isolation Paper	
9	SP100218	Screw	
10	SP101405	Bushing	
11	SPPRI505003064	Plug	
12	SPPRI404000095	Main Switch Knob	
13	520816	Main Switch Panel	
14	SPPRI404000097	Main Switch	Main heating
15	SP101415	Nut	
16	SPPRI350000007	Terminal Board	
17	SPPRI610011077	Microswitch	
18	SP517484	Microswitch	
19	SP101154	Isolation Plate	
20	SP520403	Door Switch Holder	
21	SP518719	Bolt	
22	SP311125000003	Washer	
23	SP311127000003	Washer	
24	SP516693	Bolt	
25	SP311125000010	Washer	
26	SP310934000010	Nut	
27	SPPRI504000001	Adjustable Foot	
28	SP506045	Microswitch	
29	560157	Fine Filter	
30	560126	Filter	
31	SP545529	Bolt	
32	SP541312	Exhaust Lid	
33	SP545531	Washer	
34	SP545530	Nut	
35	SP518505	Front Seal	
36	SP515291	Coin Vault Cover	
37	SP501514	Coin Vault Frame	
38	SP321848140028	Coin Vault	

# Cabinet - Gas and Electric Models (Drawing 1 of 2)

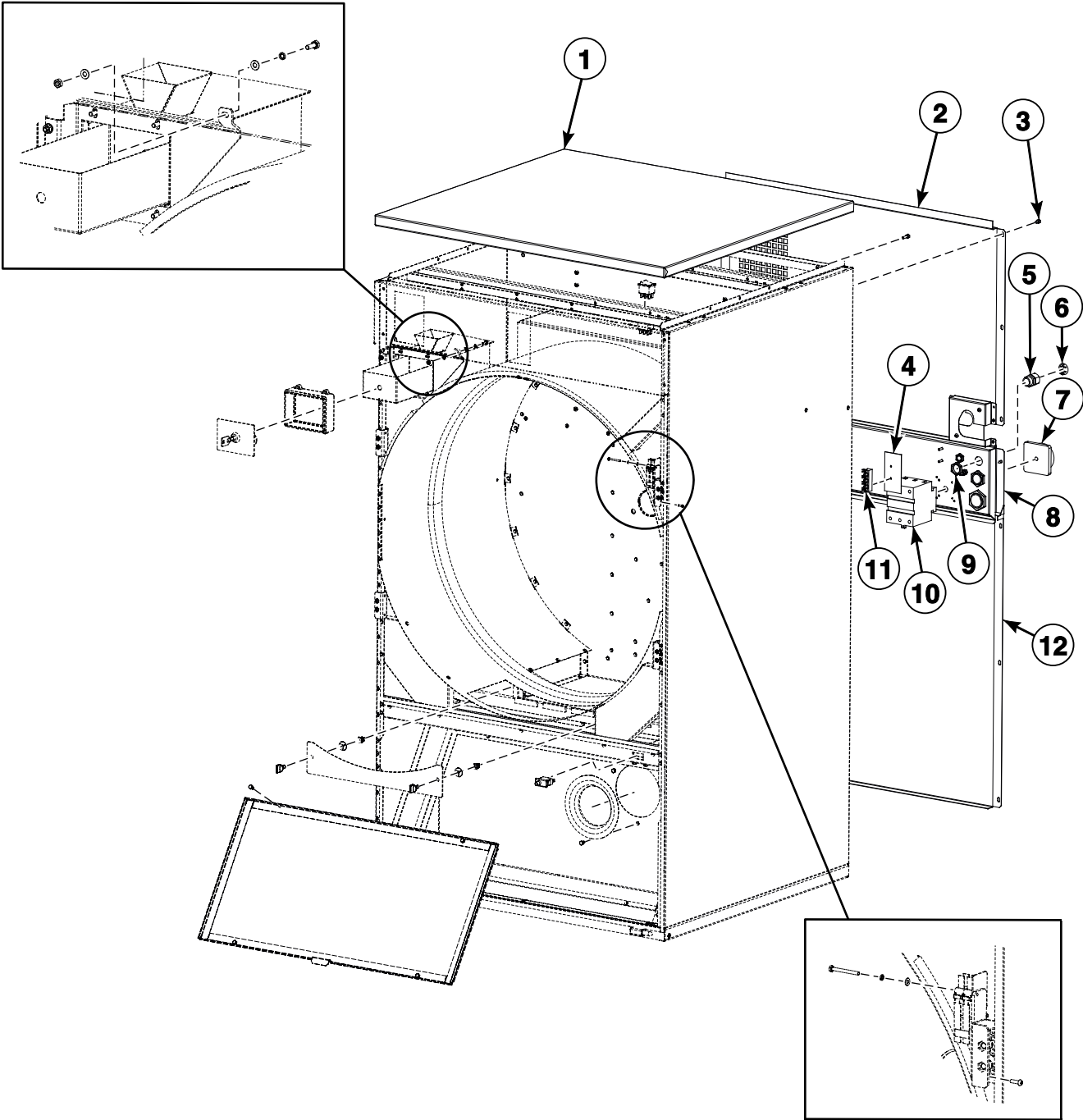


TMB3785P\_D2450

## Cabinet - Gas and Electric Models (Drawing 1 of 2)

REF	PART NO.	DESCRIPTION	COMMENTS
	SP520404	Door Switch Assembly	Includes items 7-14
	559747	Coin Vault Assembly	Includes items 1-6 and 27-29
	SP523615	Filter	Includes item 21
	SP100388	Switch	
1	SP310934000004	Nut	
2	SP311125000004	Washer	
3	SP521329	Coin Vault Box	
4	SP311127000004	Washer	
5	SP309933240412	Bolt	
6	SP559746	Coin Vault Bracket	
7	SPPRI610011077	Microswitch	
8	SP517484	Microswitch	
9	SP101154	Isolation Plate	
10	SP520403	Door Switch Holder	
11	SP518719	Bolt	
12	SP311125000003	Washer	
13	SP311127000003	Washer	
14	SP516693	Bolt	
15	SP311125000010	Washer	
16	SP310934000010	Nut	
17	SPPRI504000001	Adjustable Foot	
18	SP521268	Inlet	
19	SP100218	Screw	
20	SP506045	Microswitch	
21	SP521274	Filter	
22	SP545529	Bolt	
23	SP541312	Exhaust Lid	
24	SP545531	Washer	
25	SP545530	Nut	
26	SP518505	Front Seal	
27	SP515291	Coin Vault Cover	
28	SP501514	Coin Vault Frame	
29	SP321848140028	Coin Vault	

# Cabinet - Gas and Electric Models (Drawing 2 of 2)

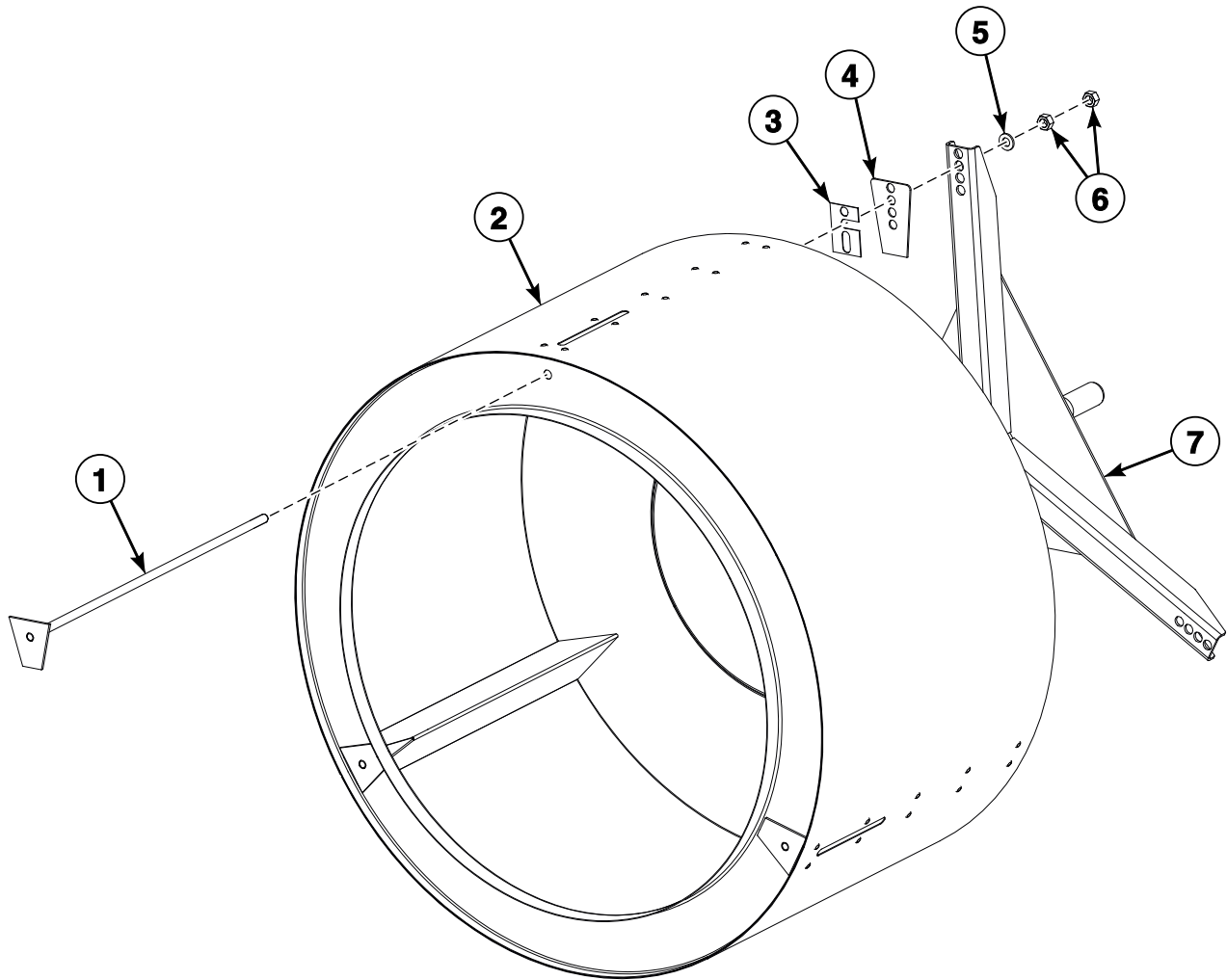


TMB3362PA\_D2450

## Cabinet - Gas and Electric Models (Drawing 2 of 2)

REF	PART NO.	DESCRIPTION	COMMENTS
1	SP556012	Upper Cover	L, N, P and T models; Gray
	SP521247	Upper Cover	Stainless steel
	SP521153	Upper Cover	U models; I models starting Serial No.9T011535QD; S models starting 1/1/2021; Imitation stainless steel; White
	SP559708	Upper Cover	I models through Serial No.9T011534QD; S models through 12/31/2020
2	SP524288	Rear Upper Cover	Electric models
	SP556539	Rear Upper Cover	Gas models
3	SP100218	Screw	
4	SPPRI350012007	Isolation Paper	
5	SP101407	Bushing	Gas models
	SP101405	Bushing	External payment system
	SP101408	Bushing	Electric models
	SP101409	Bushing	Electric models
6	SPPRI505003064	Plug	Not for external payment systems
	SP345900025012	Plug	#20
	SP345900032132	Plug	#25
	SP345900043132	Plug	#32
7	SPPRI404000095	Main Switch Knob	
8	SP524286	Rear Reinforcement Panel	
9	SP101417	Nut	Gas models
	SP101415	Nut	External payment system
	SP101418	Nut	Electric models
	SP101419	Nut	Electric models
10	SPPRI404000097	Main Switch	Gas models; Electric models 6kW, 380-415V; 9 kW, 380-415V or 440V; 12 kW, 380-415V or 440V
	SPPRI404000098	Main Switch	Electric models; 9 kW, 208-240V
	SPPRI404000099	Main Switch	Electric models; 12 kW, 208-240V
	SP506407	Main Switch	Fourth pole; Gas models
11	SPPRI350000007	Terminal Board	
12	SP521181	Rear Lower Cover	

# Drum Assembly



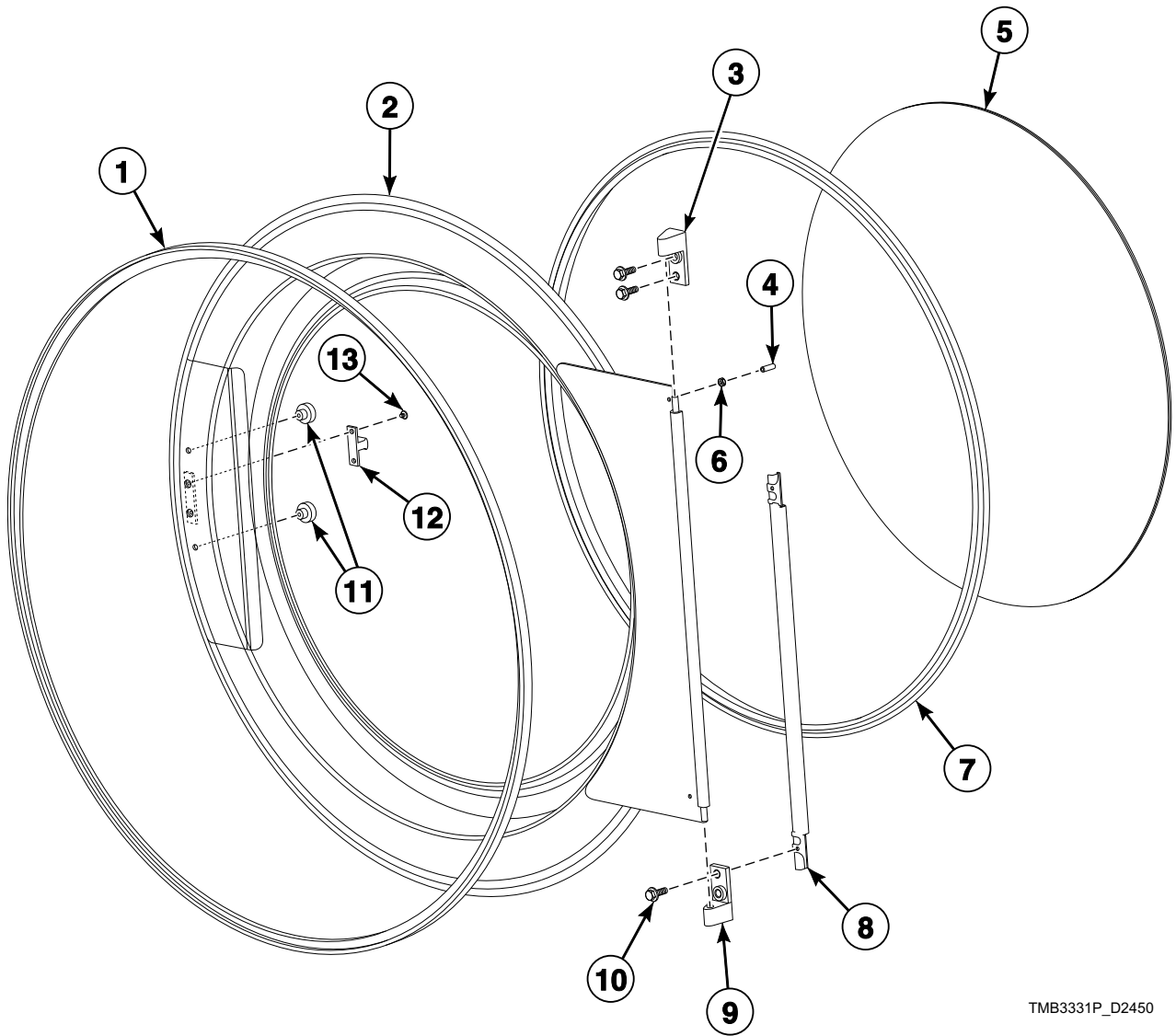
TMB3330P\_D2450



# Drum Assembly

REF	PART NO.	DESCRIPTION	COMMENTS
	573272	Drum Assembly	Galvanized; Includes items 1-7
	573273	Drum Assembly	Stainless Steel; Includes items 1-7
1	SP521128	Bolt	
2	573274	Drum	Galvanized
	577727	Drum	Stainless Steel
3	SP512233	Washer	1mm
	517426	Washer	0,5mm
4	SP510697	Washer	
5	SP311125000010	Washer	
6	SP310934000010	Nut	
7	SP521020	Drum Cross	

# Door Assembly

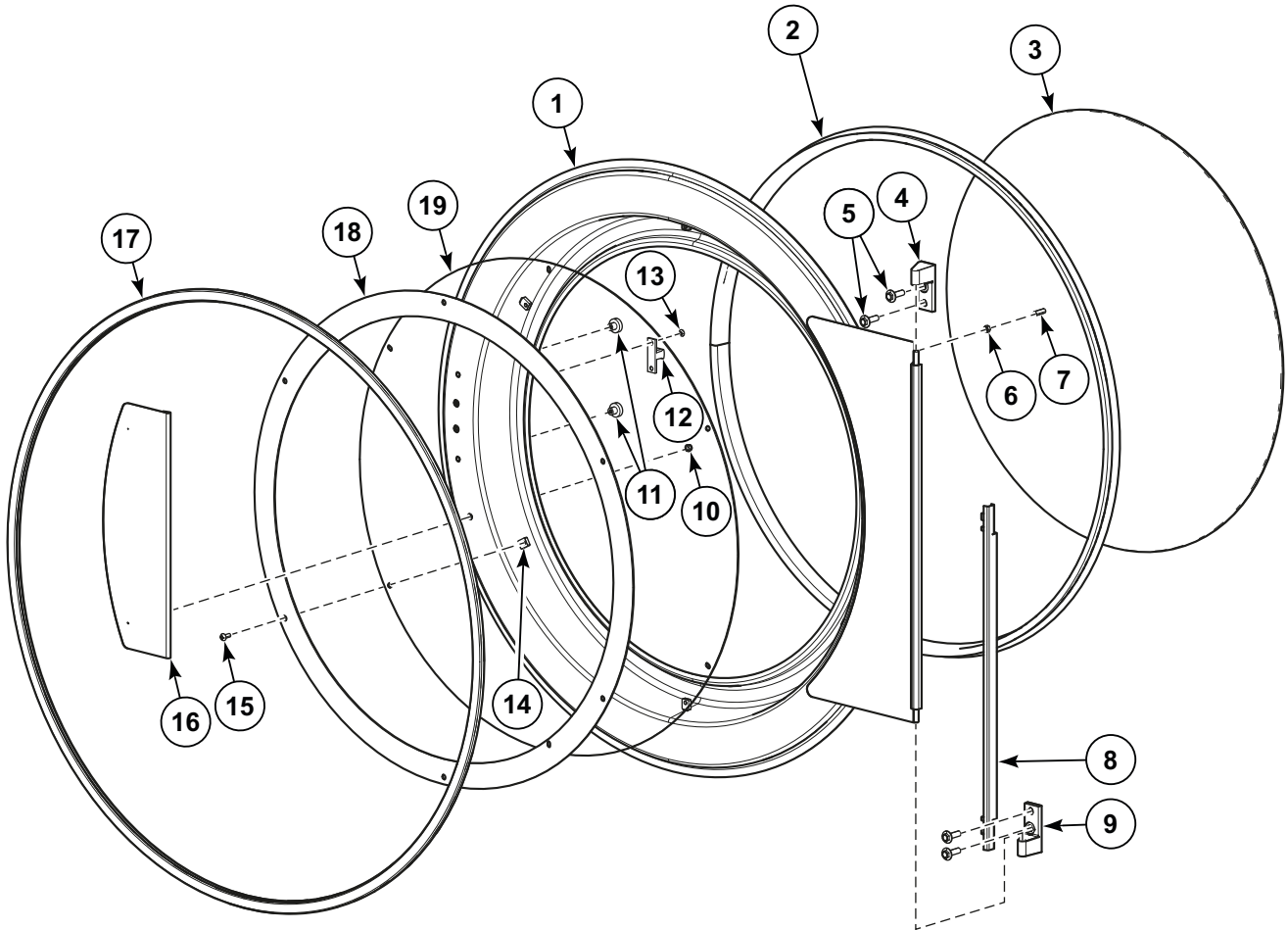


TMB3331P\_D2450

# Door Assembly

REF	PART NO.	DESCRIPTION	COMMENTS
	SP534969	Glue	Use with item 5
	SP245704003021	Adhesive	Use with item 4
	SP524359	Door Assembly	L and N models; I models starting Serial No. 9T011535QD; S and U models starting Serial No.9T012834UD; Gas and electric; Includes items 1-13; Black
	SP556558	Door Assembly	P and T models through Serial No. 9T011244MQ; Gas and electric; Includes items 1-13; Silver
	559702	Door Assembly	P and T models starting Serial No. 9T011245MQ; S and U models through Serial No. 9T012833UD; Gas and electric; Includes items 1-13; Metallic gray
	SP556559	Door Assembly	I, L and N models; S and U models starting Serial No. 9T012834UD; Heat pump; Includes items 1-13; Black
	SP559703	Door Assembly	P and T models; S and U models through Serial No.9T012833UD; Heat pump; Includes items 1-13; Metallic gray
	SP556561	Door Assembly	P and T models through Serial No. 9T011244MQ; Heat pump; Includes items 1-13; Silver
<b>1</b>	SP534873	Door Ring	
<b>2</b>	SP524364	Door	I, L, N, S and U models; Black
	SP559701	Door	P, S, T and U models; Metallic gray
	SP556552	Door	P and T models; Silver
<b>3</b>	SP525105	Upper Door Hinge	I, L, N, S and U models; Black
	SP559705	Upper Door Hinge	P, S, T and U models; Metallic gray
	SP556555	Upper Door Hinge	P and T models; Silver
<b>4</b>	SP520201	Stop Pin	
<b>5</b>	SP512053	Door Glass	
<b>6</b>	SP310934240004	Nut	
<b>7</b>	SP519933	Outer Door Gasket	
<b>8</b>	SP524582	Lath	I, L, N, S and U models; Black
	SP559706	Lath	P, S, T and U models; Metallic gray
	SP556553	Lath	P and T models; Silver
<b>9</b>	SP525104	Lower Door Hinge	I, L, N, S and U models; Black
	SP559704	Lower Door Hinge	P, S, T and U models; Metallic gray
	SP556554	Lower Door Hinge	P and T models; Silver
<b>10</b>	SP525101	Bolt	
<b>11</b>	SP556557	Magnet	
<b>12</b>	SP514530	Latch	
<b>13</b>	SP524367	Bolt	

# Door Assembly - Double Layer Door



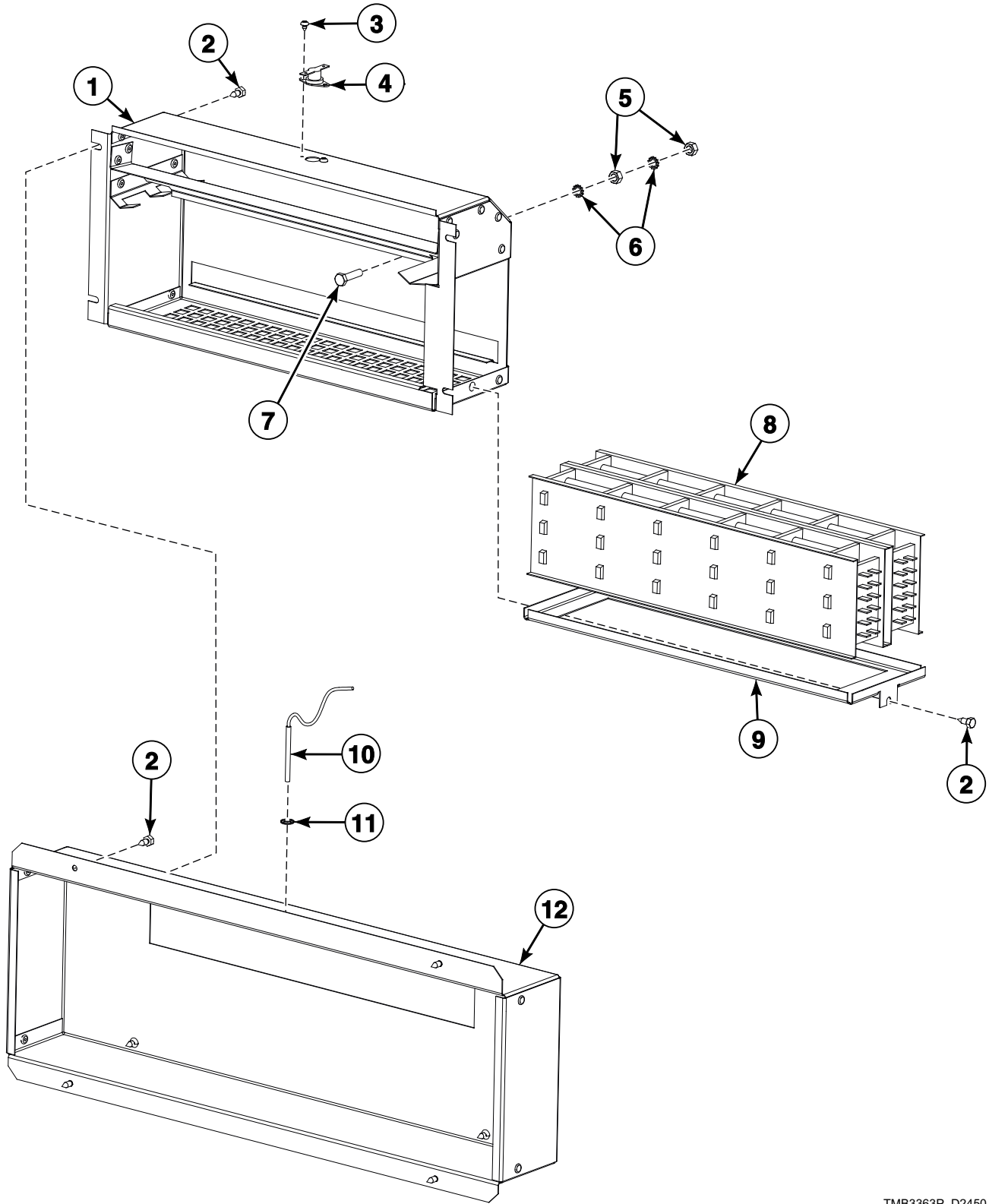
CZT451P\_D2450

## Door Assembly - Double Layer Door

REF	PART NO.	DESCRIPTION	COMMENTS
	SP534969	Glue	Use with item 3
	SP245704003021	Adhesive	Use with item 7
	579505	Door Assembly	Gas and electric models; Includes items 1-19; Black
	579506	Door Assembly	Gas and electric models; Includes items 1-19; Metallic gray
	579507	Door Assembly	Heat pump models; Includes items 1-19; Black
	579508	Door Assembly	Heat pump models; Includes items 1-13; Metallic gray
<b>1</b>	579509	Door	Black
	579510	Door	Metallic gray
<b>2</b>	SP519933	Outer Door Gasket	
<b>3</b>	SP512053	Door Glass	
<b>4</b>	SP525105	Upper Door Hinge	Black
	SP559705	Upper Door Hinge	Metallic gray
<b>5</b>	SP525101	Bolt	
<b>6</b>	SP310934240004	Nut	
<b>7</b>	SP520201	Stop Pin	
<b>8</b>	SP524582	Lath	Black
	SP559706	Lath	Metallic gray
<b>9</b>	SP525104	Lower Door Hinge	Black
	SP559704	Lower Door Hinge	Metallic gray
<b>10</b>	SP514193	Nut	
<b>11</b>	564203	Magnet	Heat pump models
<b>12</b>	SP514530	Latch	
<b>13</b>	SP524367	Bolt	
<b>14</b>	580337	Plastic Layer Holder	
<b>15</b>	SP515075	Bolt	
<b>16</b>	579513	Handle	Black
	579514	Handle	Metallic gray
<b>17</b>	SP534873	Door Ring	
<b>18</b>	580339	Fixation Ring	Black
	579515	Fixation Ring	Metallic gray
<b>19</b>	580338	Door Plastic Layer	

# Electric Heating Components

Electric Models

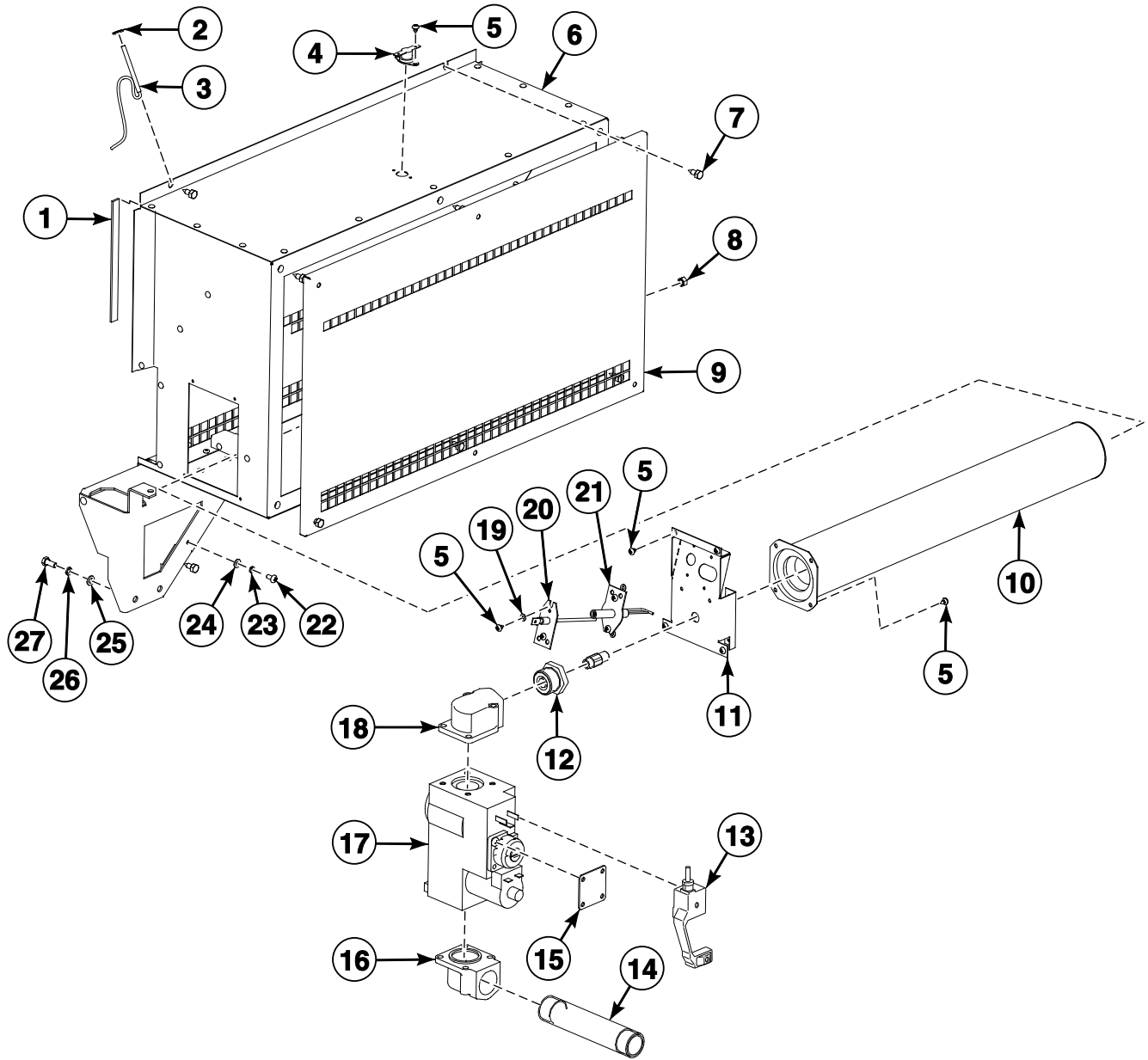


TMB3363P\_D2450

## Electric Heating Components

REF	PART NO.	DESCRIPTION	COMMENTS
	SP521332	Heating Component Assembly	12 kW; Includes items 1-12
	SP521372	Heating Component Assembly	9 kW; Includes items 1-12
	SP556010	Heating Component Assembly	6 kW; Includes items 1-12
<b>1</b>	SP528901	Heater Box	
<b>2</b>	SP100218	Screw	
<b>3</b>	SP517238	Screw	
<b>4</b>	SP514127	Safety Thermostat	
<b>5</b>	SP310934100006	Nut	
<b>6</b>	SP311679824006	Washer	
<b>7</b>	SP309933100625	Bolt	
<b>8</b>	SP510984	Heating Element	6 kW
	SP510985	Heating Element	4.5 kW
	SP557786	Fuse	
<b>9</b>	SP521334	Trolley	
<b>10</b>	SP516092	Temperature Sensor	
<b>11</b>	SP516669	Washer	
<b>12</b>	SP525075	Cover	

# Gas Heating Components - Gas Models Through Serial No. 9T011519QD (Drawing 1 of 2)



CZT2P\_D2450

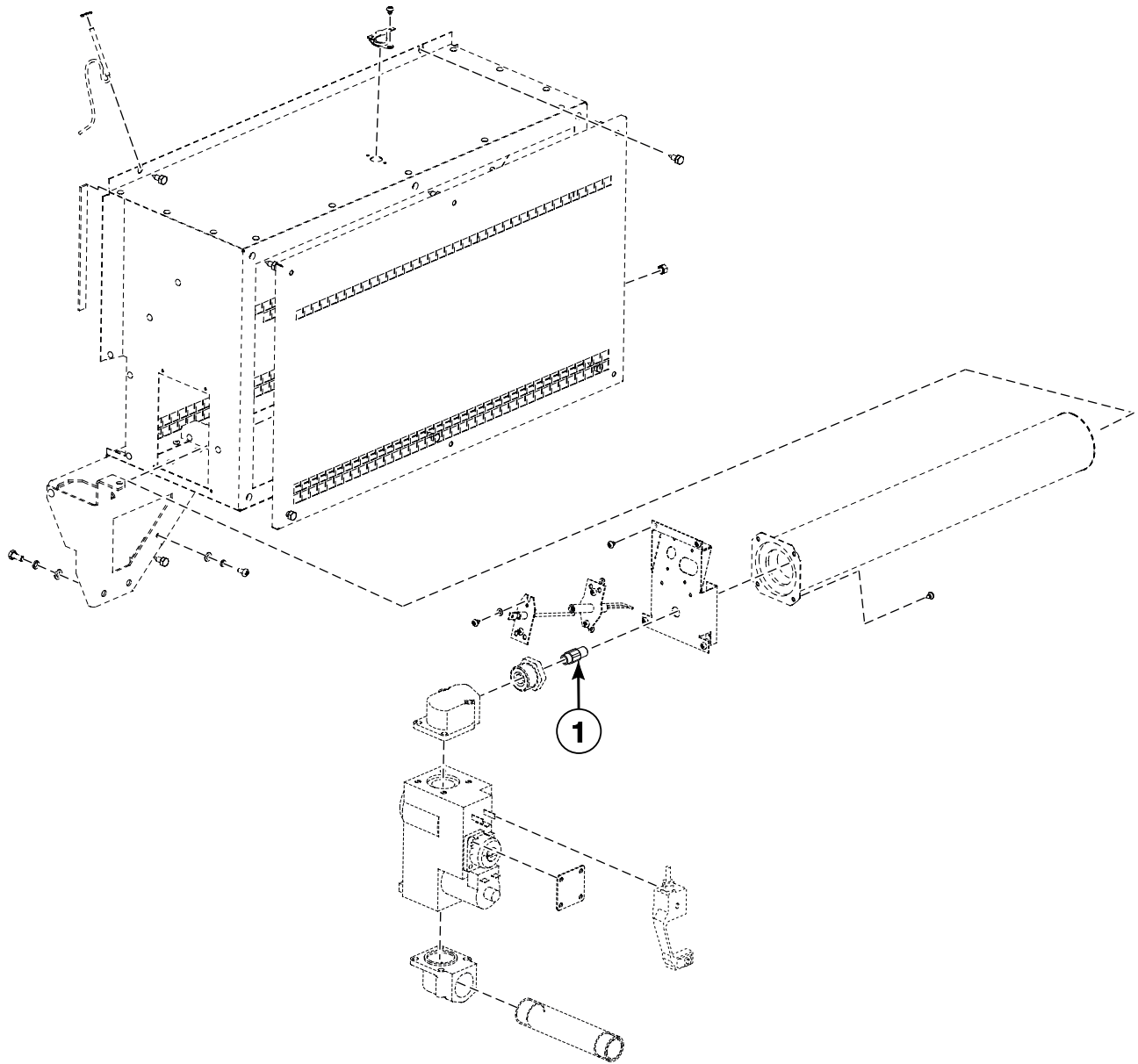


## Gas Heating Components - Gas Models Through Serial No. 9T011519QD (Drawing 1 of 2)

REF	PART NO.	DESCRIPTION	COMMENTS
	SP273454410020	Hose	
	SP516144	Flame Detection Cable	Use with item 20
	SP516143	Ignition Cable	Use with item 21
	520098	Gas Valve Wiring	60 Hertz; Use with item 17
1	SP517232	Seal	
2	SP516669	Washer	
3	SP516092	Temperature Sensor	
4	SP514127	Safety Thermostat	
5	SP517238	Screw	
6	SP523780	Gas Heater Box	
7	SP100218	Screw	
8	SP310934240005	Nut	
9	SP525524	Rear Cover	
10	SP552515	Burner Tube	
11	SP525442	Electrode Bracket	
12	SP512067	Nozzle	
13	345000180901	Connector	50 Hertz; Use with item 17
	345000160645	Contact	50 Hertz; Use with item 17
	SP357500459412	Gas Valve Cable	50 Hertz; Use with item 17
14	SP519198	Tube	
15	SP102019	Blank Plate Kit	Without regulator
16	N/A	Flange	
17	SP102000	Gas Valve	50 Hertz
	SP520281	Gas Valve	60 Hertz
18	SP102018	Flange	
19	SP311125000003	Washer	
20	SP102002	Detection Electrode	
21	575643	Ignition Electrode	
22	SP309798524408	Bolt	
23	SP311127240004	Washer	
24	SP311125240004	Washer	
25	SP311125000005	Washer	
26	SP311127000005	Washer	
27	SPPRI202001001	Bolt	

N/A = Part no longer available

# Gas Heating Components - Gas Models Through Serial No. 9T011519QD (Drawing 2 of 2)



CZT2PA\_D2450

## Gas Heating Components - Gas Models Through Serial No. 9T011519QD (Drawing 2 of 2)

REF	PART NO.	DESCRIPTION	COMMENTS
1	525466	Orifice	130
	525465	Orifice	165
	517241	Orifice	170
	517327	Orifice	175
	517328	Orifice	185
	517243	Orifice	190
	517222	Orifice	200
	520399	Orifice	210
	517223	Orifice	215
	517329	Orifice	220
	517224	Orifice	235
	517245	Orifice	245
	530819	Orifice	250
	517246	Orifice	260
	517250	Orifice	290
	517251	Orifice	300
	517252	Orifice	310
	517253	Orifice	325
	517225	Orifice	350
	517257	Orifice	360
	517258	Orifice	365
	517226	Orifice	380
	530820	Orifice	385
	517227	Orifice	420
	517330	Orifice	435
	517331	Orifice	445
	517337	Orifice	530
	520237	Orifice	650
	520236	Orifice	700



## Gas Heating Components - Gas Models Starting Serial No. 9T011520QD (Drawing 1 of 2)

REF	PART NO.	DESCRIPTION	COMMENTS
	571487	Ignition Cable	Use with item 7
1	SP517238	Screw	ST 3.6x6.5
2	SP514127	Safety Thermostat	
3	SP517232	Seal	
4	SP100218	Screw	ST4.8x13
5	SP310934240005	Nut	M5
6	SP311125000003	Washer	3.2
7	575643	Ignition Electrode	
8	571884	Holder	
9	571920	Holder	
10	SP552515	Burner Tube	
11	SP525524	Rear Cover	
12	SP537625	Terminal Board Cover	
13	571928	Tube	1/2 inch
14	572352	Elbow	1/2 inch
15	572351	Gas Valve	
16	571938	Control Unit	
17	SP309933240412	Bolt	M4x12
18	SP311127000004	Washer	M4
19	SP311125000004	Washer	4.3
20	571881	Tube	1/2 inch
21	572350	Elbow	1/2 inch
22	571937	Holder	
23	572361	Screw	ST3.9x13
24	571918	Gas Heater Box	
25	SP516092	Temperature Sensor	
26	SP516669	Washer	2 pcs

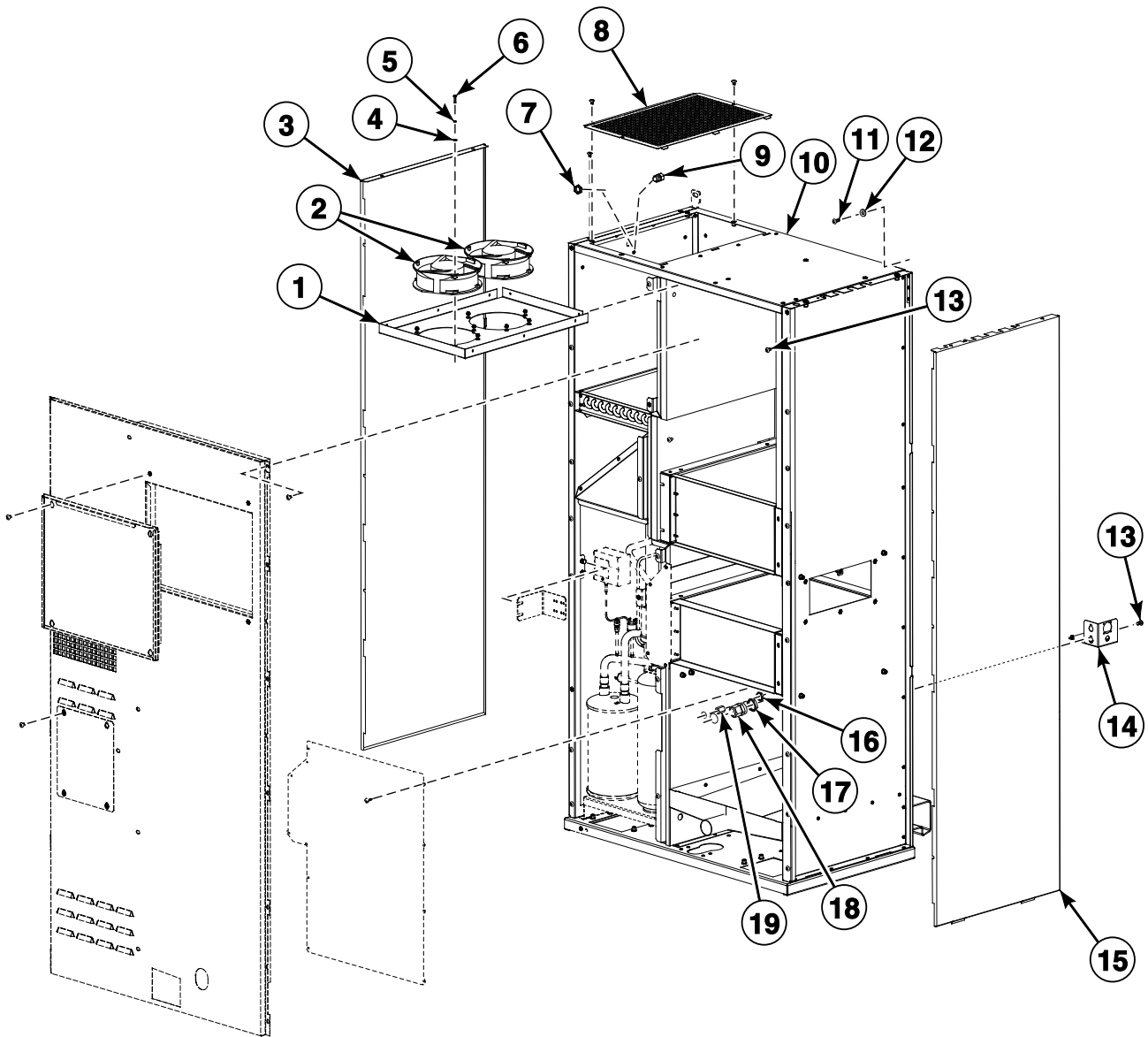


## Gas Heating Components - Gas Models Starting Serial No. 9T011520QD (Drawing 2 of 2)

REF	PART NO.	DESCRIPTION	COMMENTS
1	525466	Orifice	130
	525465	Orifice	165
	517241	Orifice	170
	517327	Orifice	175
	517328	Orifice	185
	517243	Orifice	190
	517222	Orifice	200
	520399	Orifice	210
	517223	Orifice	215
	517329	Orifice	220
	517224	Orifice	235
	517245	Orifice	245
	530819	Orifice	250
	517246	Orifice	260
	517250	Orifice	290
	517251	Orifice	300
	517252	Orifice	310
	517253	Orifice	325
	575530	Orifice	330
	517225	Orifice	350
	517257	Orifice	360
	517258	Orifice	365
	517226	Orifice	380
	530820	Orifice	385
	517227	Orifice	420
	517330	Orifice	435
	517331	Orifice	445
	517337	Orifice	530
	520237	Orifice	650
	520236	Orifice	700

# Heat Pump (Drawing 1 of 2)

Heat Pump Models



TMB3438P\_D2450



## Heat Pump (Drawing 1 of 2)

REF	PART NO.	DESCRIPTION	COMMENTS
	556086	Heat Pump	U models; I models starting Serial No. 9T011535QD; S models starting 1/1/21; With rinsing system; 380-415 Volt/50 Hertz/3 Phase Plus N or 440 Volt/60 Hertz/3 Phase; Imitation stainless steel
	556088	Heat Pump	U models; I models starting Serial No. 9T011535QD; S models starting 1/1/21; With rinsing system; 230 Volt/50 Hertz/3 Phase; Imitation stainless steel
	556094	Heat Pump	U models; I models starting Serial No. 9T011535QD; S models starting 1/1/21; Without rinsing system; 380-415 Volt/50 Hertz/3 Phase Plus N or 440 Volt/60 Hertz/3 Phase; Imitation stainless st.
	556096	Heat Pump	U models; I models starting Serial No. 9T011535QD; S models starting 1/1/21; Without rinsing system; 230 Volt/50 Hertz/3 Phase; Imitation stainless steel
	556665	Heat Pump	Model LS195HP_PROFESSIONAL; I models through Serial No. 9T011534QD; S models through 12/31/2020; With rinsing system; 230 Volt/50 Hertz/3 Phase; White
	556666	Heat Pump	Model LS195HP_PROFESSIONAL; I models through Serial No. 9T011534QD; S models through 12/31/2020; With rinsing system; 380-415 Volt/50 Hertz/3 Phase plus N or 440 Volt/60 Hertz/3 Phase; White
	556661	Heat Pump	Model LS195HP_PROFESSIONAL; I models through Serial No. 9T011534QD; S models through 12/31/2020; Without rinsing system; 230 Volt/50 Hertz/3 Phase; White
	556662	Heat Pump	Model LS195HP_PROFESSIONAL; I models through Serial No. 9T011534QD; S models through 12/31/2020; Without rinsing system; 380-415 Volt/50 Hertz/3 Phase plus N or 440 Volt/60 Hertz/3 Phase; White
	556087	Heat Pump	N, P and T models; With rinsing system; 380-415 Volt/50 Hertz/3 Phase plus N or 440 Volt/60 Hertz/3 Phase; Gray
	556089	Heat Pump	N, P and T models; With rinsing system; 230 Volt/50 Hertz/3 Phase; Gray
	556095	Heat Pump	N, P and T models; Without rinsing system; 380-415 Volt/50 Hertz/3 Phase plus N or 440 Volt/60 Hertz/3 Phase; Gray
	556097	Heat Pump	N, P and T models; Without rinsing system; 230 Volt/50 Hertz/3 Phase; Gray
	SP541496	Fan Assembly	Includes items 1, 2 and 4-6
<b>1</b>	SP541495	Fan Holder	
<b>2</b>	SP528481	Fan	
<b>3</b>	SP541463	Side Panel	U models; I models starting Serial No. 9T011535QD; S models starting 1/1/21; Left; Imitation stainless steel
	556651	Side Panel	Model LS195HP_PROFESSIONAL; I models through Serial No. 9T011534QD; S models through 12/31/2020; Left; White
	556006	Side Panel	L, N, P and T models; Left; Gray
<b>4</b>	SP311125000004	Washer	
<b>5</b>	SP311127000004	Washer	
<b>6</b>	SP309084000416	Bolt	
<b>7</b>	SP101415	Nut	
<b>8</b>	SP541484	Fan Cover	
<b>9</b>	SP101405	Bushing	
<b>10</b>	SP541459	Cabinet	
<b>11</b>	SP537864	Bolt	
<b>12</b>	SP311902100006	Washer	
<b>13</b>	SP506012	Bolt	
<b>14</b>	SP551869	Humidity Sensor Cover	
<b>15</b>	SP541464	Side Panel	U models; I models starting Serial No. 9T011535QD; S models starting 1/1/21; Right; Imitation stainless steel
	556652	Side Panel	Model LS195HP_PROFESSIONAL; I models through Serial No. 9T011534QD; S models through 12/31/2020; Right; White
	556008	Side Panel	L, N, P and T models; Right; Gray
<b>16</b>	SP101416	Nut	
<b>17</b>	SP101418	Nut	
<b>18</b>	SP101408	Bushing	
<b>19</b>	SP101406	Bushing	

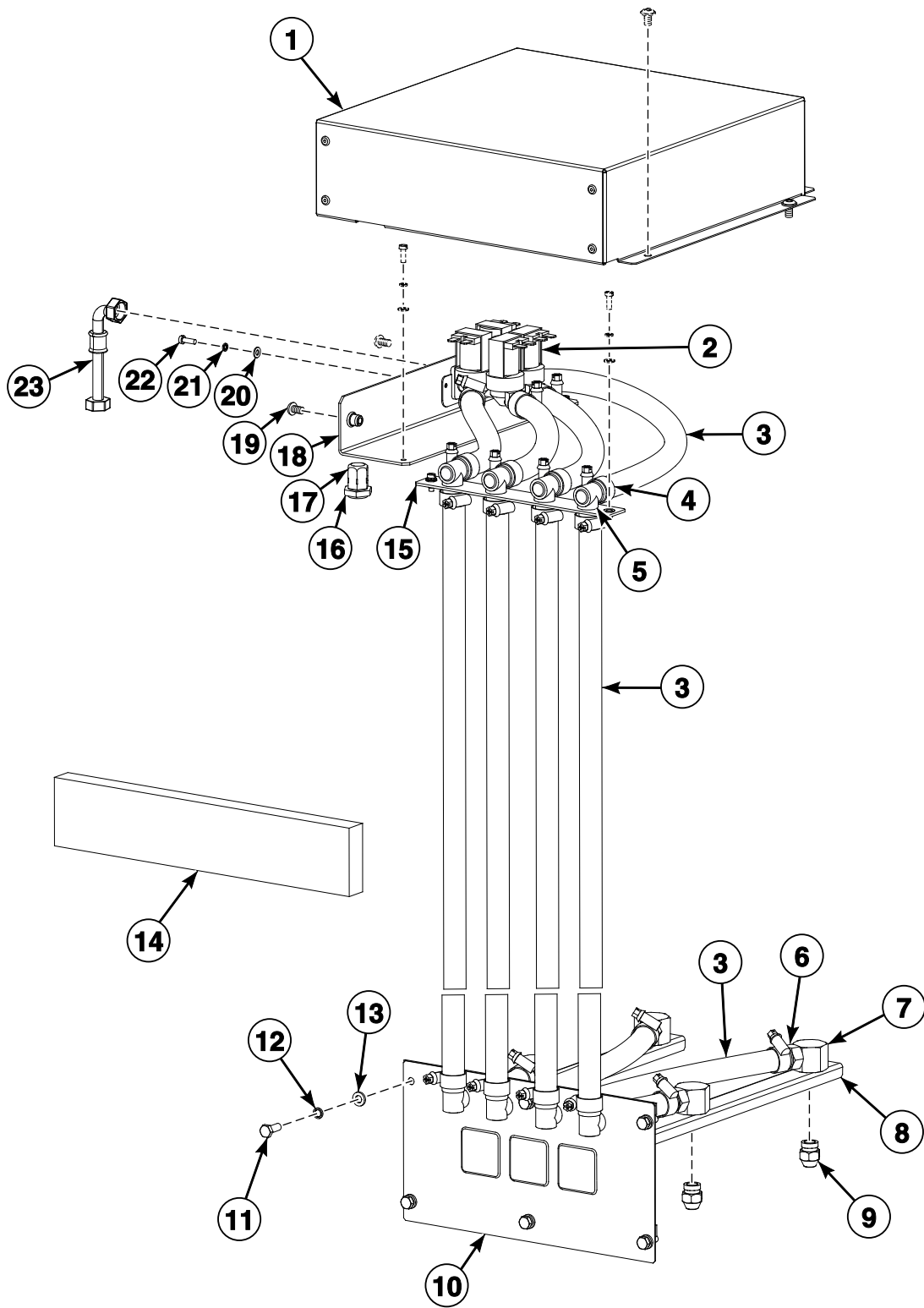


## Heat Pump (Drawing 2 of 2)

REF	PART NO.	DESCRIPTION	COMMENTS
	SPPRI704000053	Sealant	Silicone
1	SP541494	Swivel Wheel Assembly	
2	SP551864	Swivel Wheel Assembly	
3	SP309933000625	Bolt	
4	SP311679824006	Washer	
5	SP311125000006	Washer	
6	SP310934000006	Nut	
7	SP533726	Bolt	
8	SP310934000020	Nut	
9	SP541489	Base	
10	SP541436	Bracket	
11	SP541457	Thermostat Bracket	
12	SP541314	Cover	Through Serial No. 9T009484FS
13	SP529206	Screw	M4x11
14	SP566259	Cover	Starting Serial No. 9T009485FS
15	SP541468	Cover	Through Serial No. 9T009484FS
	SP566304	Cover	Starting Serial No. 9T009485FS
16	SP551860	Cover	
17	SP541434	Cover	

# Heat Pump Rinsing System

Heat Pump Models

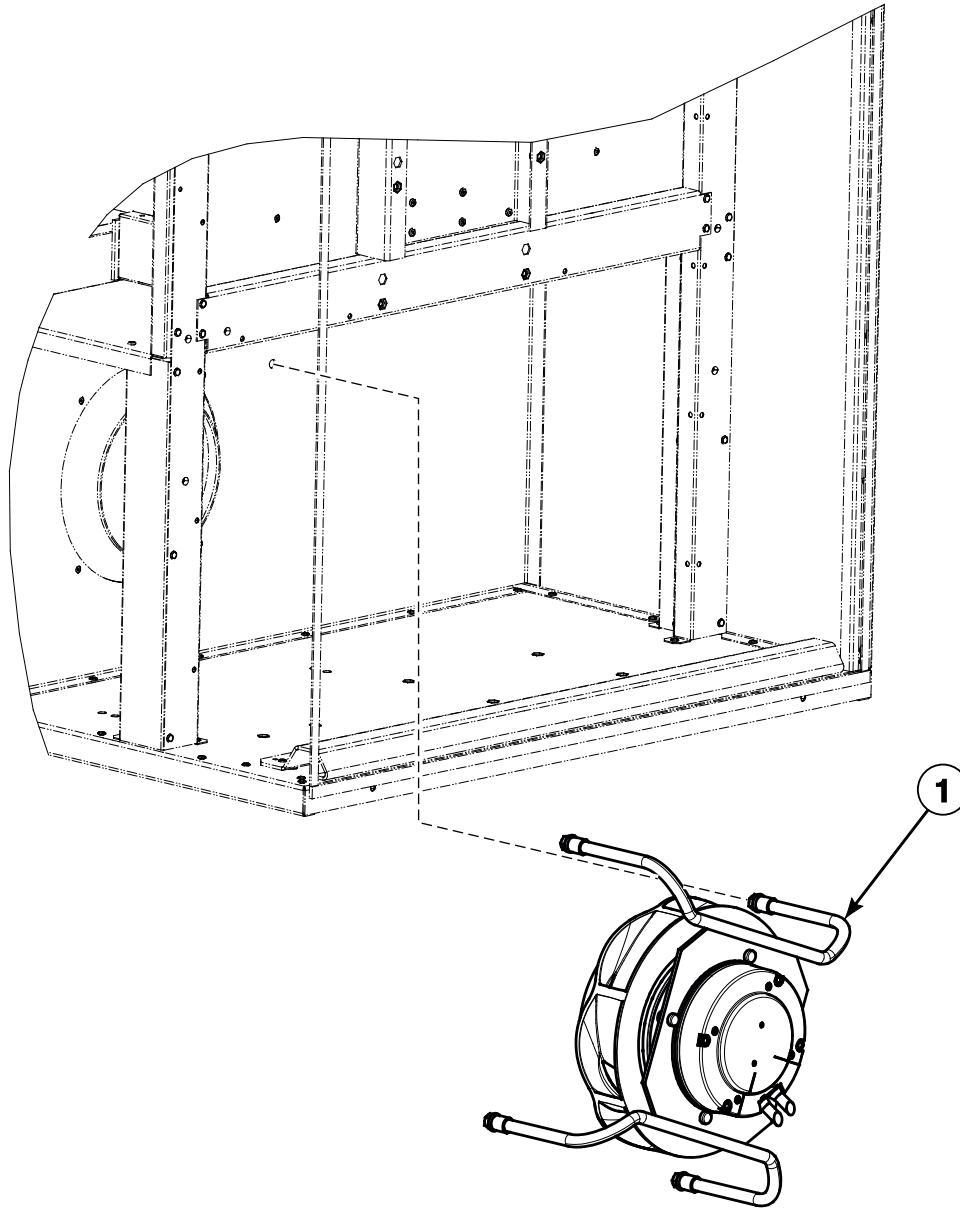


CZT1P\_D2450

## Heat Pump Rinsing System

REF	PART NO.	DESCRIPTION	COMMENTS
	SP556920	Nozzle Holder Assembly	Includes items 6, 7, 8 and 9
1	SP556947	Valve Cover Assembly	
2	SP556959	Valve	4-way
3	SPPRI540000014	Hose	
	SP101745	Hose Pipe	For water approval
4	SPPRI240000002	Hose Clamp	
5	SP527236	Elbow	
6	SP556916	Nozzle Adapter	
7	SP556915	Nozzle Fitting Adapter	
8	SP556919	Nozzle Bracket Assembly	
9	SP556922	Nozzle	
10	SP556954	Rinsing System Bracket	
11	SP309933000616	Bolt	
12	SP311125000006	Washer	
13	SP311127000006	Washer	
14	SP552666	Insulation	
15	SP556943	Elbow Bracket Assembly	
16	SP101416	Nut	
17	SP101406	Bushing	
18	SP556946	Valve Bracket Assembly	
19	SP506012	Bolt	
20	SP311127000004	Washer	
21	SP311125000004	Washer	
22	SP309084000412	Bolt	
23	SPPRI505000054	Filling Hose Pipe	
	SP101621	Filling Hose Pipe	For water approval

# Ventilator - Heat Pump Models

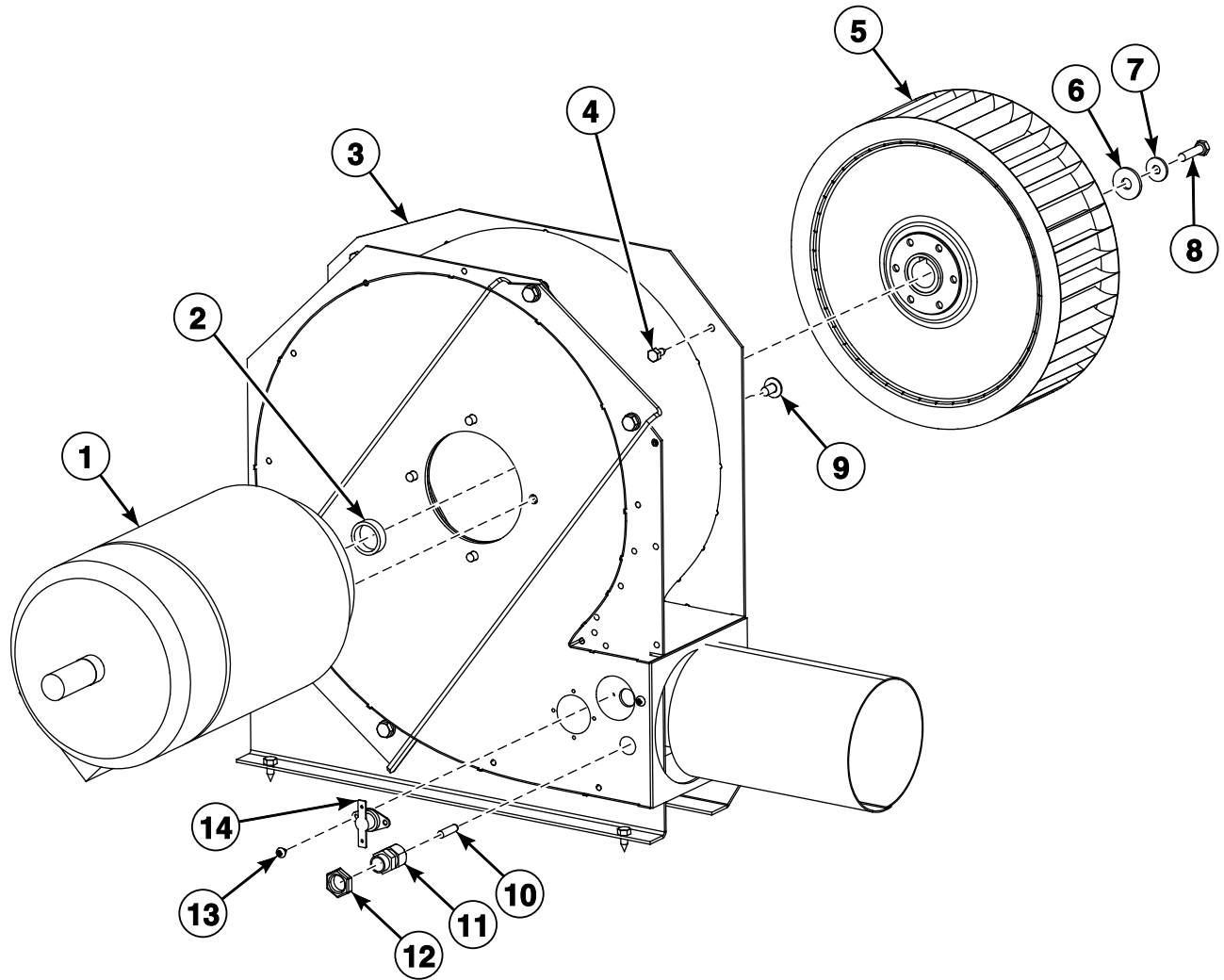


TMB3356P\_D2450

## Ventilator - Heat Pump Models

REF	PART NO.	DESCRIPTION	COMMENTS
	SP534930	Temperature Sensor	
1	SP552675	Ventilator	

# Ventilator - Gas and Electric Models



TMB3426P\_D2450

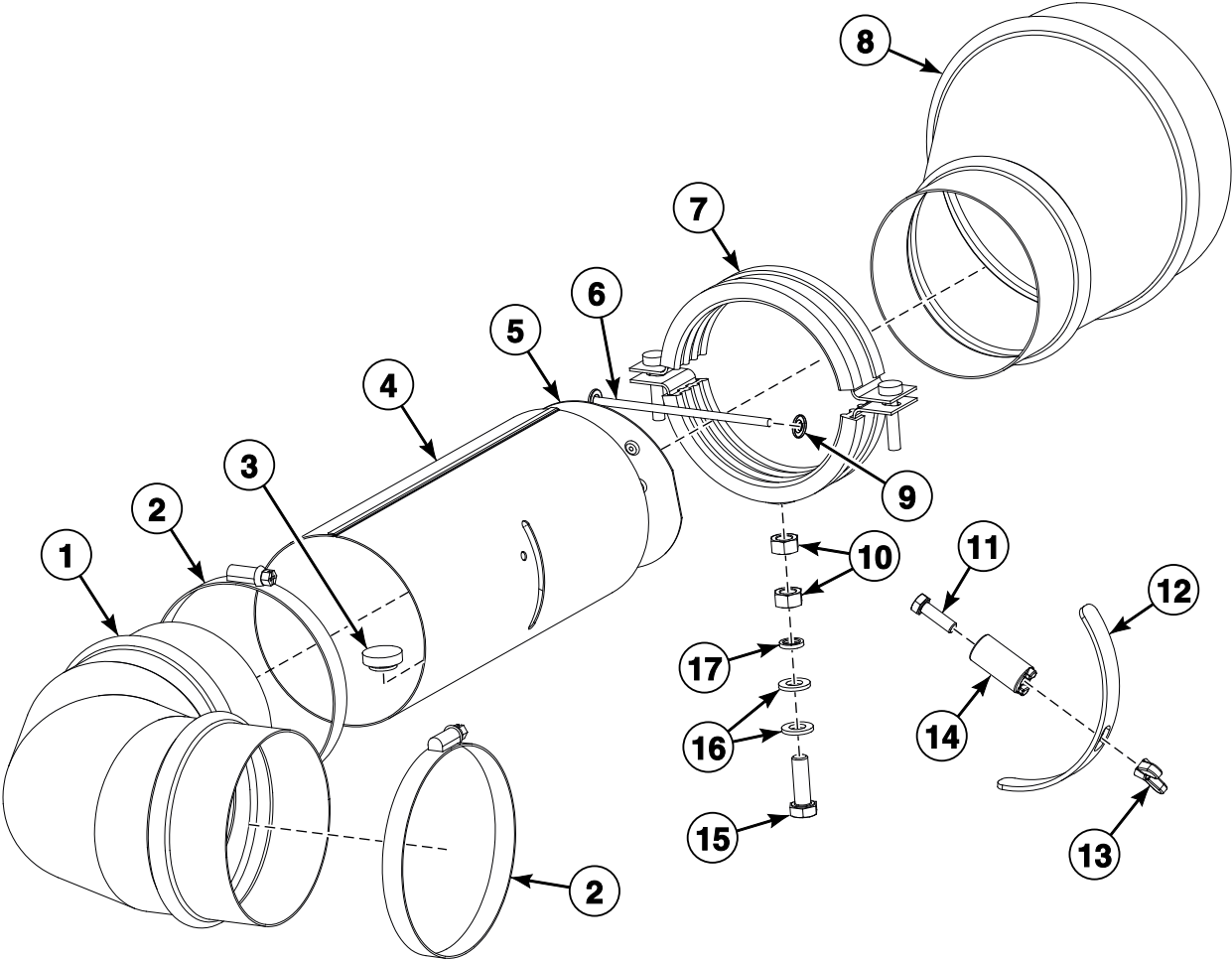


## Ventilator - Gas and Electric Models

REF	PART NO.	DESCRIPTION	COMMENTS
	SP534967	Ventilator Assembly	3 Phase reversing; Includes items 1-14
	SP534968	Ventilator Assembly	1 Phase reversing; Includes items 1-14
	SP545521	Ventilator Assembly	3 Phase nonreversing; Includes items 1-14
	SP545522	Ventilator Assembly	1 Phase nonreversing; Includes items 1-14
	SP284000012003	Tape	
<b>1</b>	SP518640	Motor	1 Phase reversing
	SP545526	Motor	1 Phase nonreversing
	SP518639	Motor	3 Phase reversing
	SP545525	Motor	3 Phase nonreversing
<b>2</b>	SP520940	Spacer	
<b>3</b>	SP527868	Ventilator Box	
<b>4</b>	SP100218	Screw	
<b>5</b>	SP102413	Ventilator	
<b>6</b>	SP311902100008	Washer	
<b>7</b>	SP311902100006	Washer	
<b>8</b>	SP309933000625	Bolt	
<b>9</b>	SP510954	Bolt	M6x16; Nonreversing
	SP309595240612	Bolt	M6x12; Reversing
<b>10</b>	SP534930	Temperature Sensor	
<b>11</b>	SP101405	Bushing	
<b>12</b>	SP101415	Nut	
<b>13</b>	SP517238	Screw	
<b>14</b>	SP514016	Safety Thermostat	

# Exhaust - Gas Models

Models through the End of May 2016

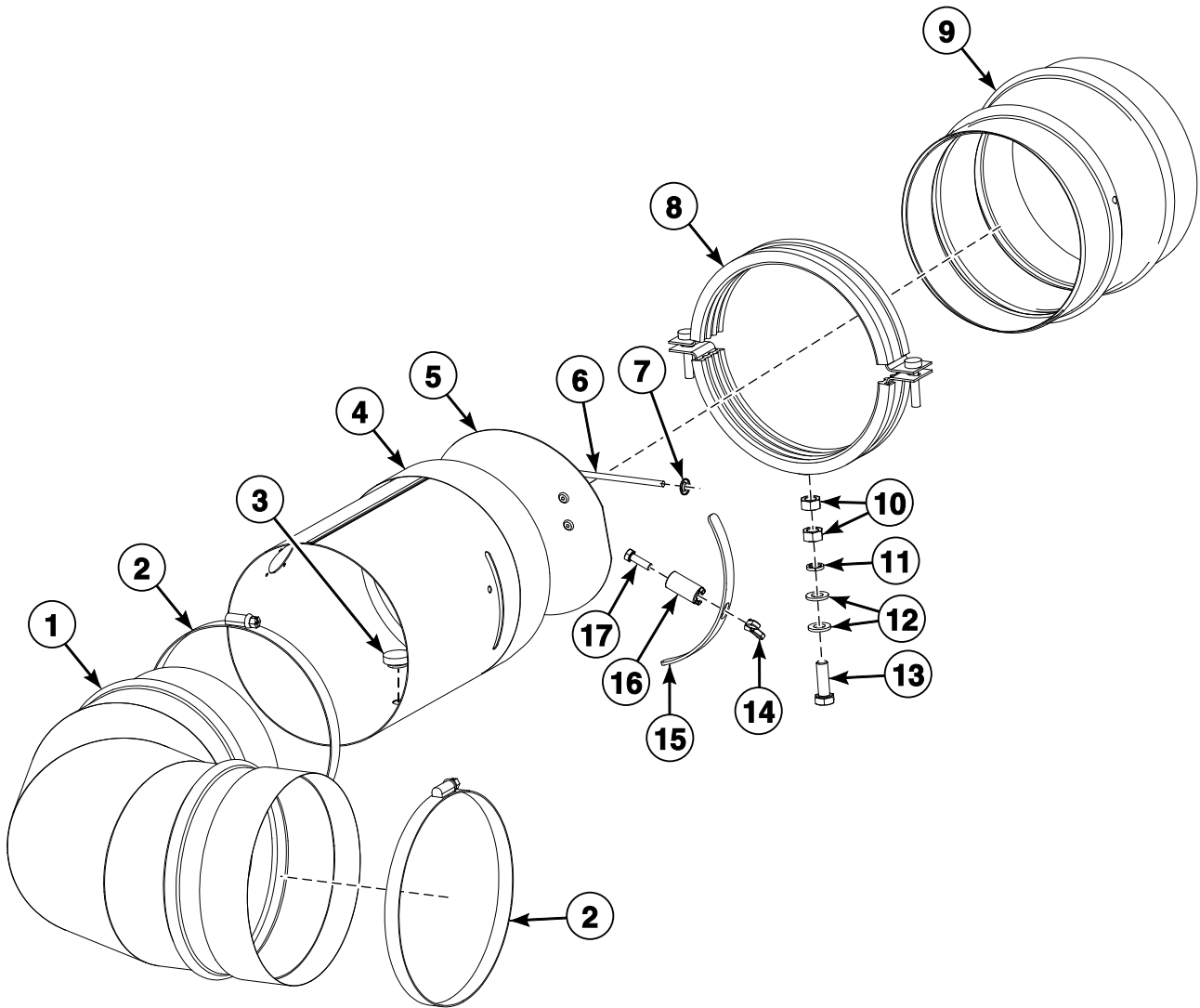


TMB3366P\_D2450

## Exhaust - Gas Models

REF	PART NO.	DESCRIPTION	COMMENTS
	SP534877	Exhaust Assembly	L, P and T models; Nonreversing; Includes items 1-17
1	SP521215	Elbow	
2	SPPRI240000005	Hose Clamp	
3	SP273127001798	Plug	
4	SP534879	Damper Tube	
5	SP534901	Clutch	
6	SP534880	Bar	
7	SP521283	Clamp Ring	
8	SP521217	Reduction	
9	SP516669	Washer	
10	SP310934000008	Nut	
11	SP309933000516	Bolt	
12	SP534882	Plug	
13	SP534929	Nut	
14	SP534900	Flap Stop	
15	SP309933000825	Bolt	
16	SP311125000008	Washer	
17	SP311127000008	Washer	

# Exhaust - Electric and Gas Models

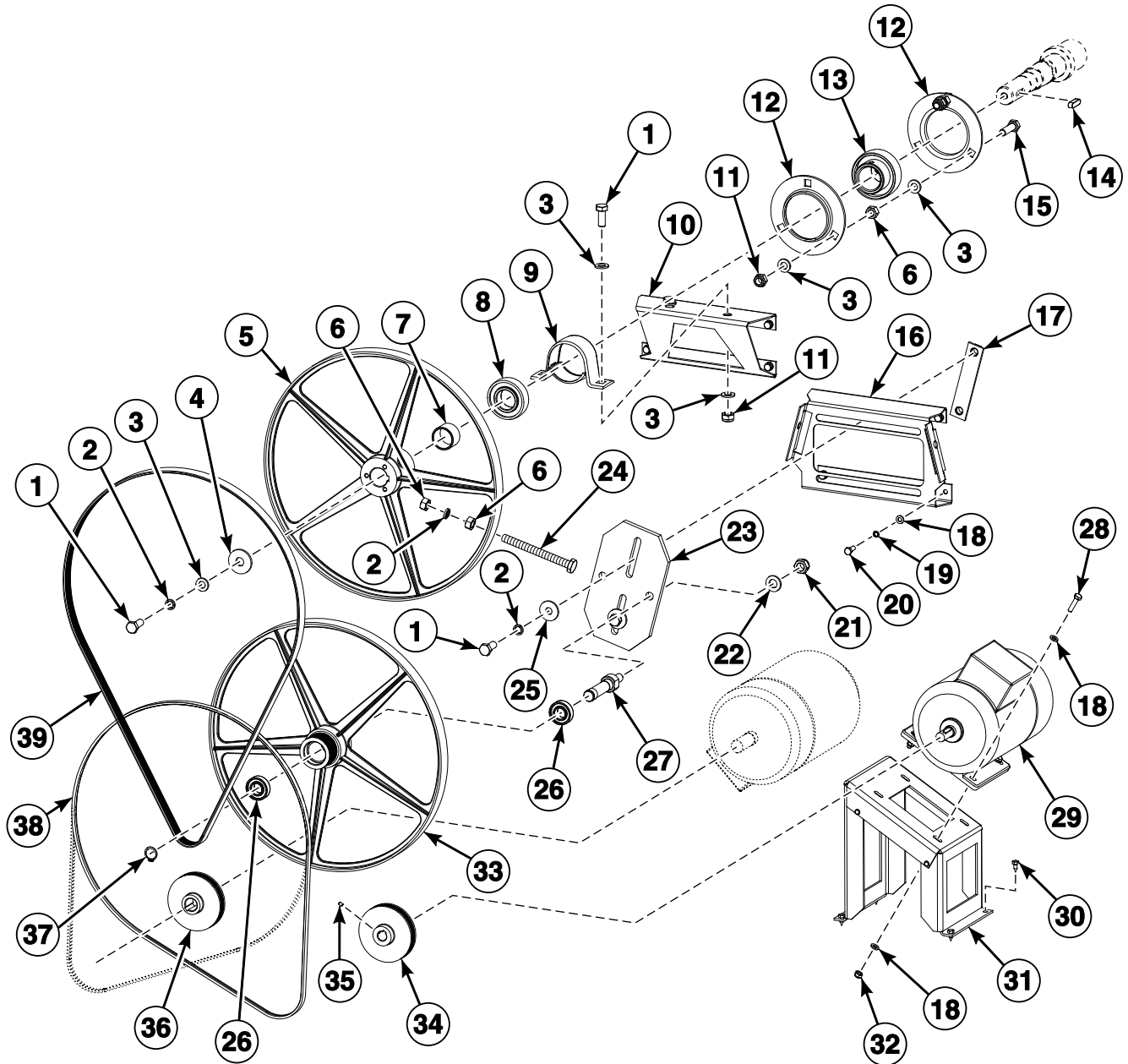


TMB3367P\_D2450

## Exhaust - Electric and Gas Models

REF	PART NO.	DESCRIPTION	COMMENTS
	SP534906	Exhaust Assembly	Includes items 1-17
1	SP527871	Elbow	
2	SP529013	Clamp	
3	SP273127001798	Plug	
4	SP534905	Tube	
5	SP534902	Flap Assembly	
6	SP534908	Bar	
7	SP516669	Washer	
8	SP527877	Clamp Ring	
9	SP527879	Reducer	
10	SP310934000008	Nut	
11	SP311127000008	Washer	
12	SP311125000008	Washer	
13	SP309933000825	Bolt	
14	SP534929	Nut	
15	SP534904	Plug	
16	SP534900	Flap Stop	
17	SP309933000516	Bolt	

# Drive System

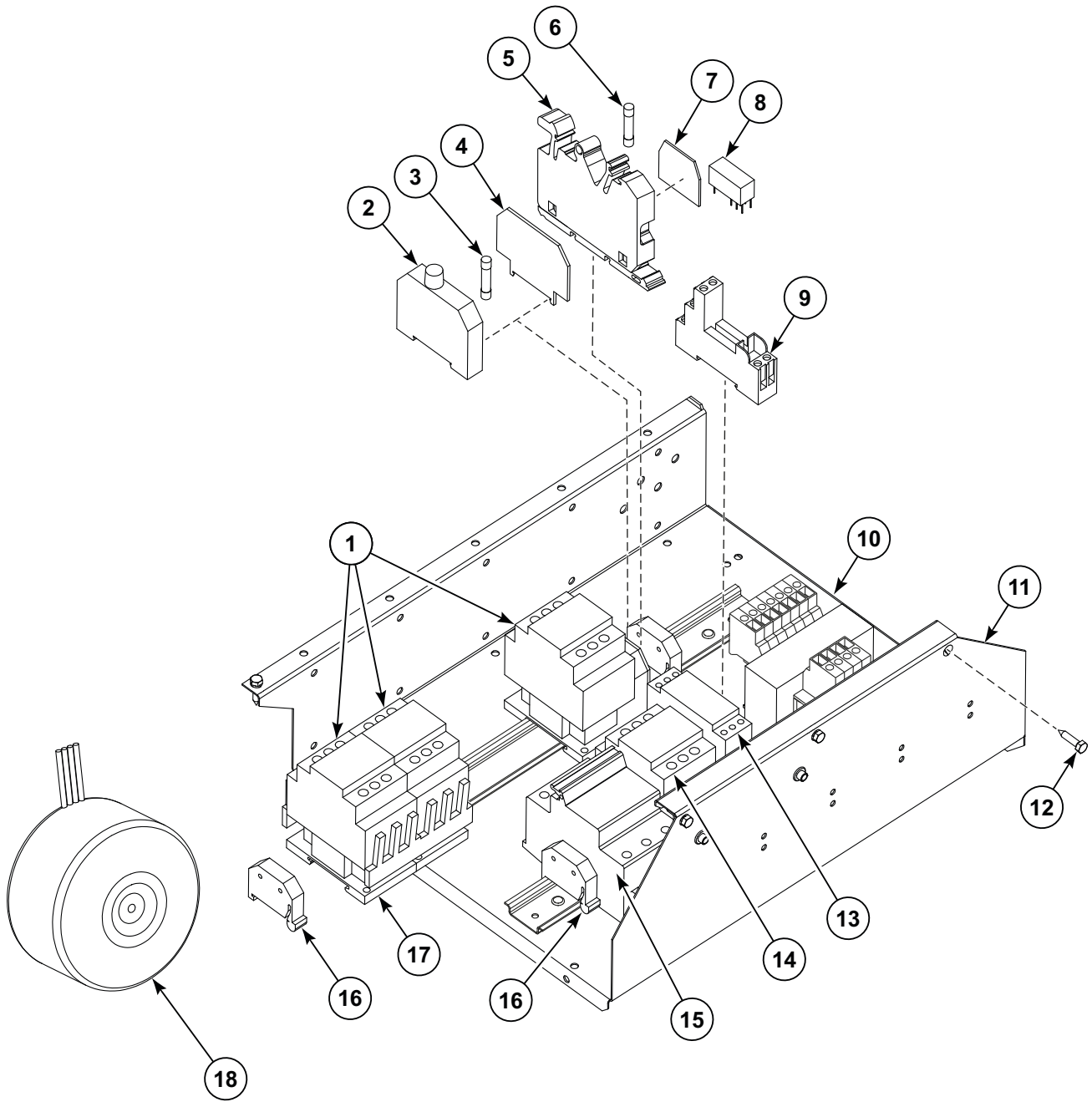


TMB3334P\_D2450

# Drive System

REF	PART NO.	DESCRIPTION	COMMENTS
	SP528927	Tension Assembly	Reversing; Includes items 1, 2, 6, 16-27, 33 and 37
	SP545520	Tension Assembly	Nonreversing; Includes items 1, 2, 6, 16-27, 33 and 37
1	SP309933001025	Bolt	
2	SP311127000010	Washer	
3	SP311125000010	Washer	
4	SP311902100012	Washer	
5	SP518646	Double Drum Pulley	
6	SP310934000010	Nut	
7	SP518529	Distance Ring	
8	SP514007	Bearing	
9	SP515571	Bearing House	
10	SP521152	Bearing Bracket	
11	SP310985000010	Nut	
12	SP514011	Flange Bearing Body	
13	SP514005	Bearing	
14	SP505449	Key	
15	SP309933001035	Bolt	
16	SP521171	Tensioning Bracket	
17	SP521232	Support Plate	
18	SP311125000006	Washer	
19	SP311127000006	Washer	
20	SP309933000616	Bolt	
21	SP310985000012	Nut	
22	SP311125000013	Washer	
23	SP521172	Tensioning Board	
24	SP309933001120	Bolt	
25	SP311902100010	Washer	
26	SP326000600300	Bearing	
27	SP534704	Tension Rod	
28	SP309933000625	Bolt	
29	SP523621	Motor	3 Phase; Reversing
	SP523724	Motor	1 Phase; Reversing
	SP528147	Motor	250 Volt/50 Hertz/1 Phase; Reversing
30	SP309933000616	Bolt	
31	SP521240	Motor Bracket	
32	SP310985000006	Nut	
33	SP534703	Double Pulley	Reversing
	SP534984	Double Pulley	Nonreversing
34	SP530720	Motor Pulley	50 Hertz; Reversing
	SP530721	Motor Pulley	60 Hertz; Reversing
35	SP309916000408	Bolt	
36	SP527723	Motor Pulley	50 Hertz; Nonreversing
	SP528922	Motor Pulley	60 Hertz; Nonreversing
37	SP515517	Retaining Ring	
38	SP528926	Belt	
39	SP518647	Belt	

# Electric Box Components - Heat Pump Models



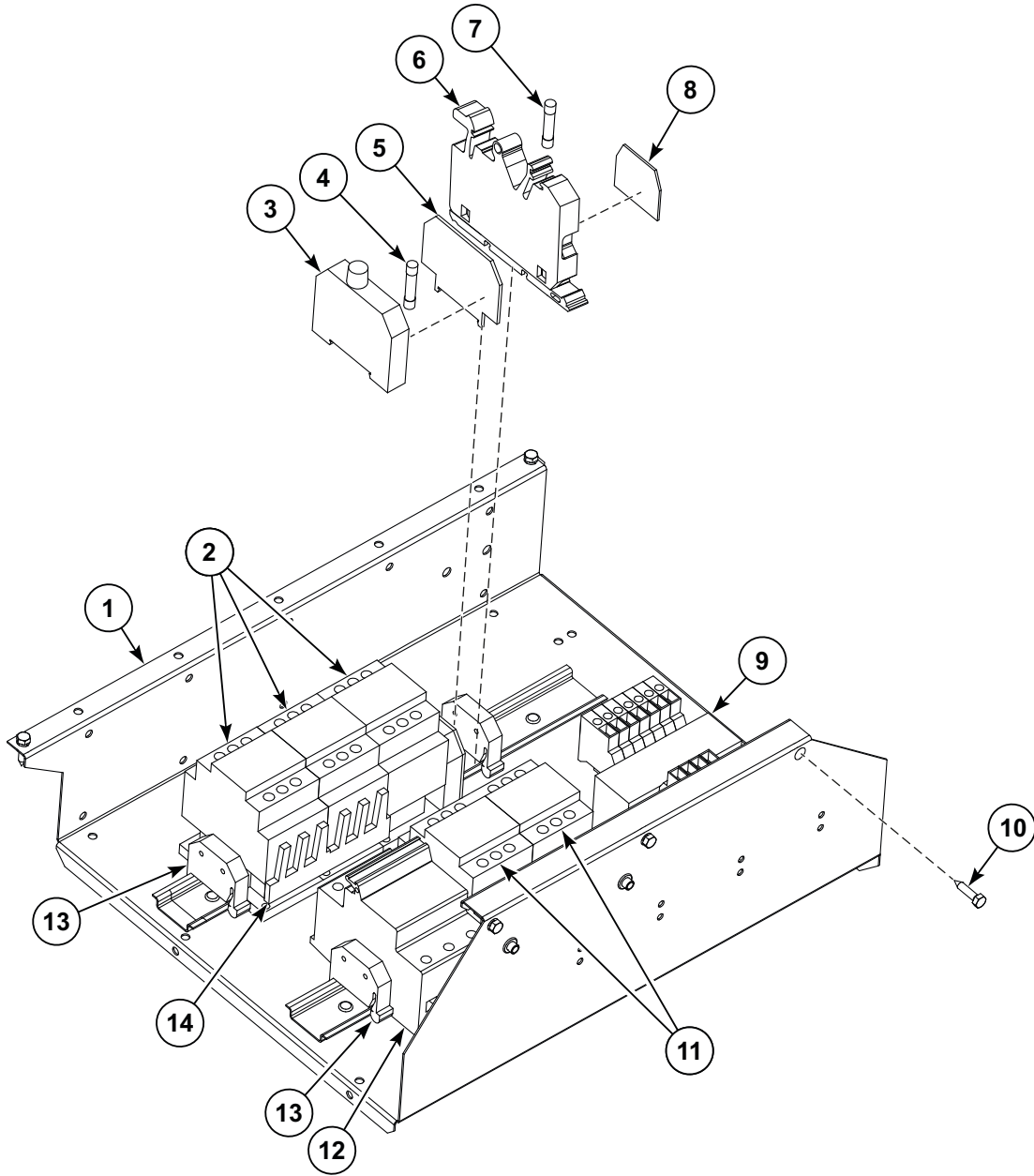
CZT473P\_D2450



## Electric Box Components - Heat Pump Models

REF	PART NO.	DESCRIPTION	COMMENTS
	SP552248	Autotransformer	440-480 Volt/50 or 60 Hertz/3 Phase
1	569856	Contactors	9 kW 380-415 or 440 Volt; 12 kW 208-240, 380-415 or 440 Volt
2	SP34600004010	Fuse Case	500mA 500Volt; 380-415 or 440 Volt
3	SP514133	Fuse	
4	SP346000014010	Cover	
5	552482	Fuse Housing	
6	SPPRI401001021	Fuse	250 Volt
	SP345805005020	Fuse	250 Volt 500mA
7	552483	End Cover	
8	SP514057	Relay	
9	SP506586	Relay Case	Including Relay Clamp
10	SP514021	Transformer	208-440 Volt
11	575429	Electric Box	
12	SP100218	Screw	
13	SP552311	Control Relay	
14	569856	Contactors	
	569857	Contactors	9 kW 208-240 Volt
15	SP358251601312	Fuse Isolator	
16	SP346000209101	End Stop	
17	569858	Mechanical Interlock Unit	Need to use with 569859 Set for Reversing Contactors
18	SP552201	Autotransformer	230 or 400-440 Volt

# Electric Box Components - Electric Models

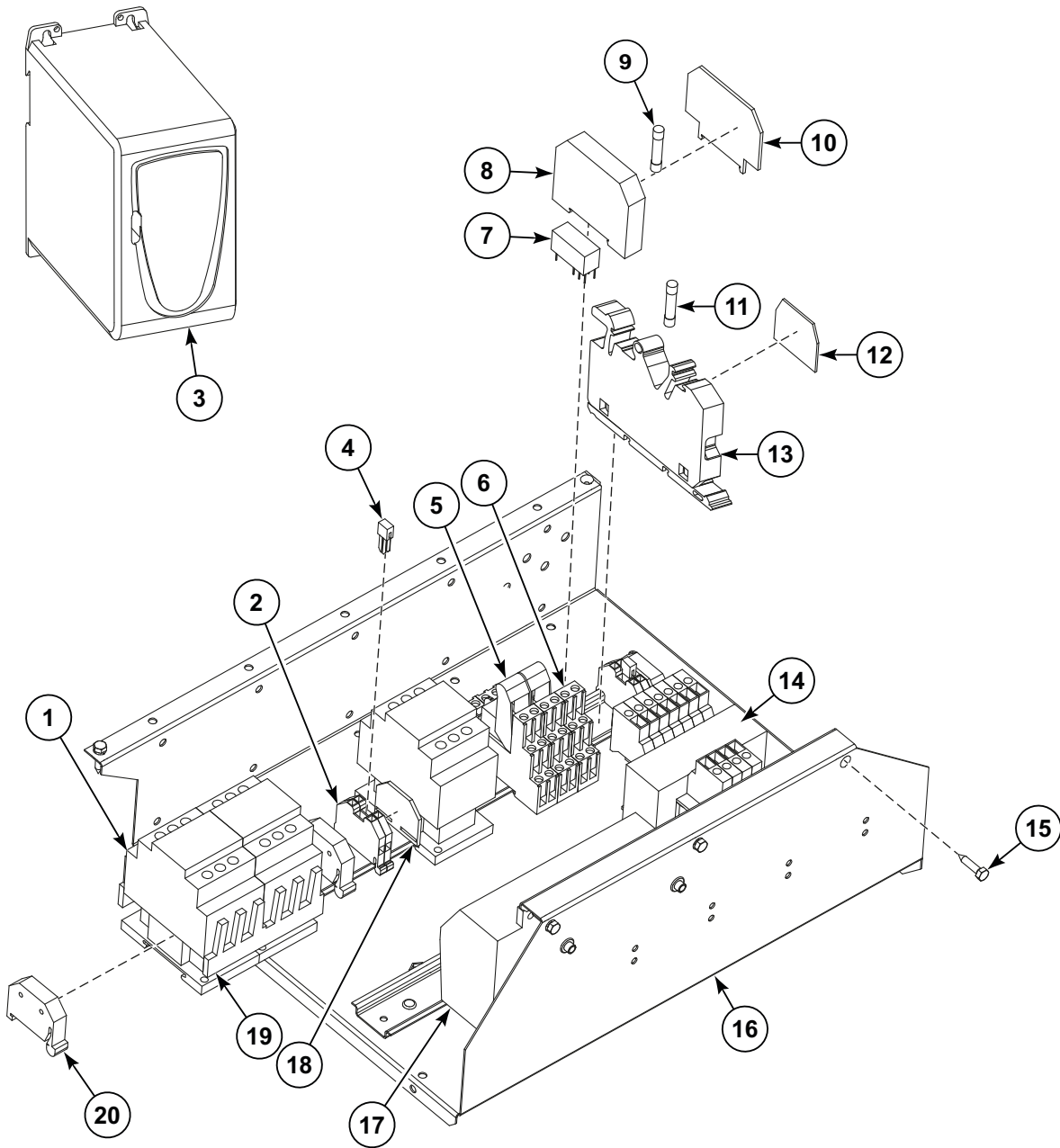


CZT460P\_D2450

## Electric Box Components - Electric Models

REF	PART NO.	DESCRIPTION	COMMENTS
	SP552248	Autotransformer	
1	SP521243	Electric Box	
2	569856	Contactora	
3	SP34600004010	Fuse Case	
4	SP514133	Fuse	
5	SP346000014010	Cover	
6	552482	Fuse Housing	
7	SPPRI401001021	Fuse	250 Volt
	SP345805005020	Fuse	250 Volt 500mA
8	552483	End Cover	
9	SP514021	Transformer	
10	SP100218	Screw	
11	569856	Contactora	9 kW 380-415V or 440V and 12 kW 380-415V, 208-240V or 440V
	569857	Contactora	9 kW 208-240V
12	SP358251601312	Fuse Isolator	
13	SP346000209101	End Stop	
14	569858	Mechanical Interlock Unit	Need to use with 569859 Set for Reversing Contactors

# Electric Box Components - Gas Models



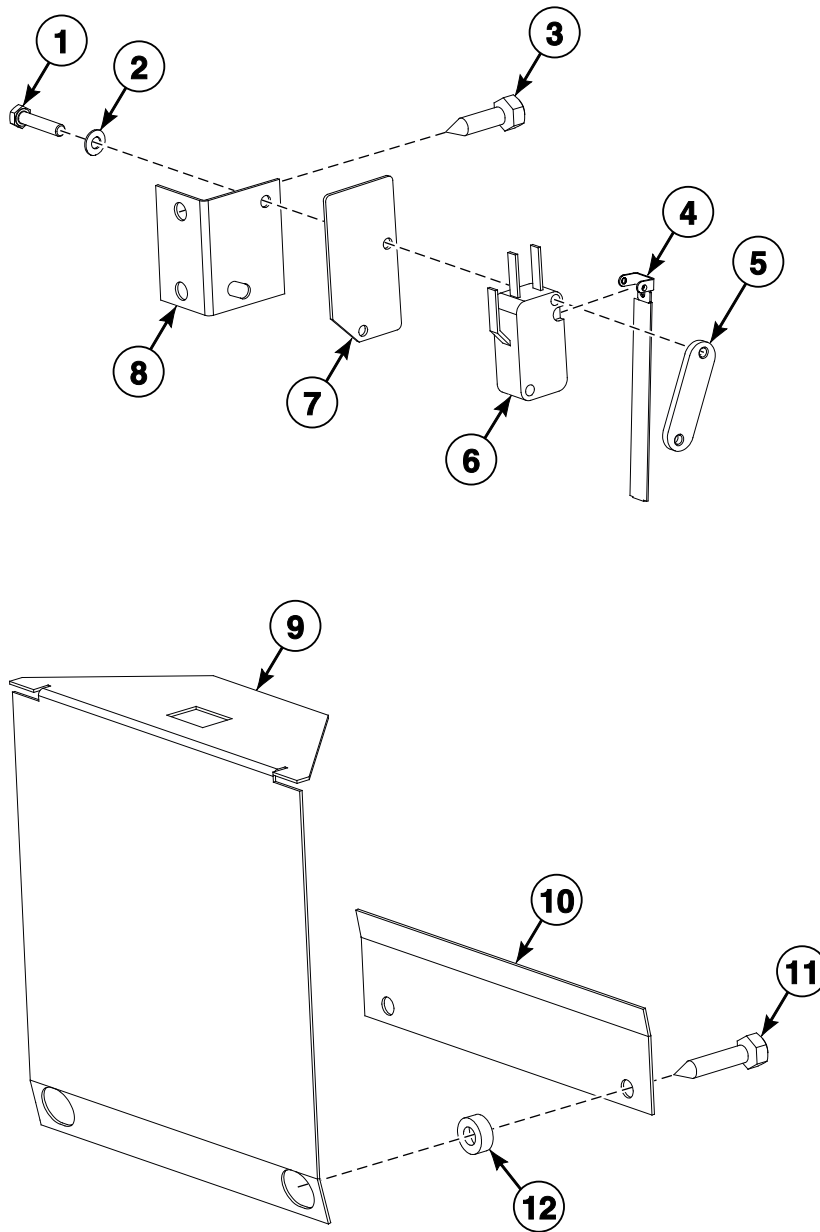
CZT474P\_D2450

## Electric Box Components - Gas Models

REF	PART NO.	DESCRIPTION	COMMENTS
	SP552248	Autotransformer	
1	569856	Contactors	
	SP520195	Resistance Bleeder	
2	SP346000280101	Clamp	
3	SP557962	Frequency Inverter	
4	SP346000280402	Interconnection	
5	SP514057	Relay	24VAC
6	SP506586	Relay Case	Including Relay Clamp
7	SP514134	Relay	220VAC
8	SP34600004010	Fuse Case	
9	SP514133	Fuse	
	SP345805163032	Fuse	
10	SP346000014010	Cover	
11	SPPRI401001021	Fuse	
	SP345805005020	Fuse	
	SPPRI401020021	Fuse	
12	552483	End Cover	
13	552482	Fuse Housing	
14	SP514021	Transformer	14.2V + 24V, 208-440V
	SP516648	Transformer	380-415V, without N
15	SP100218	Screw	
16	SP521244	Electrical Box	
17	SP357456010080	Ignition Unit	
18	SP346000280301	Cover	
19	569858	Mechanical Interlock Unit	Need to use with 569859 Set for Reversing Contactors
20	SP346000209101	End Stop	

# Under Pressure Clutch

Gas and Electric Models

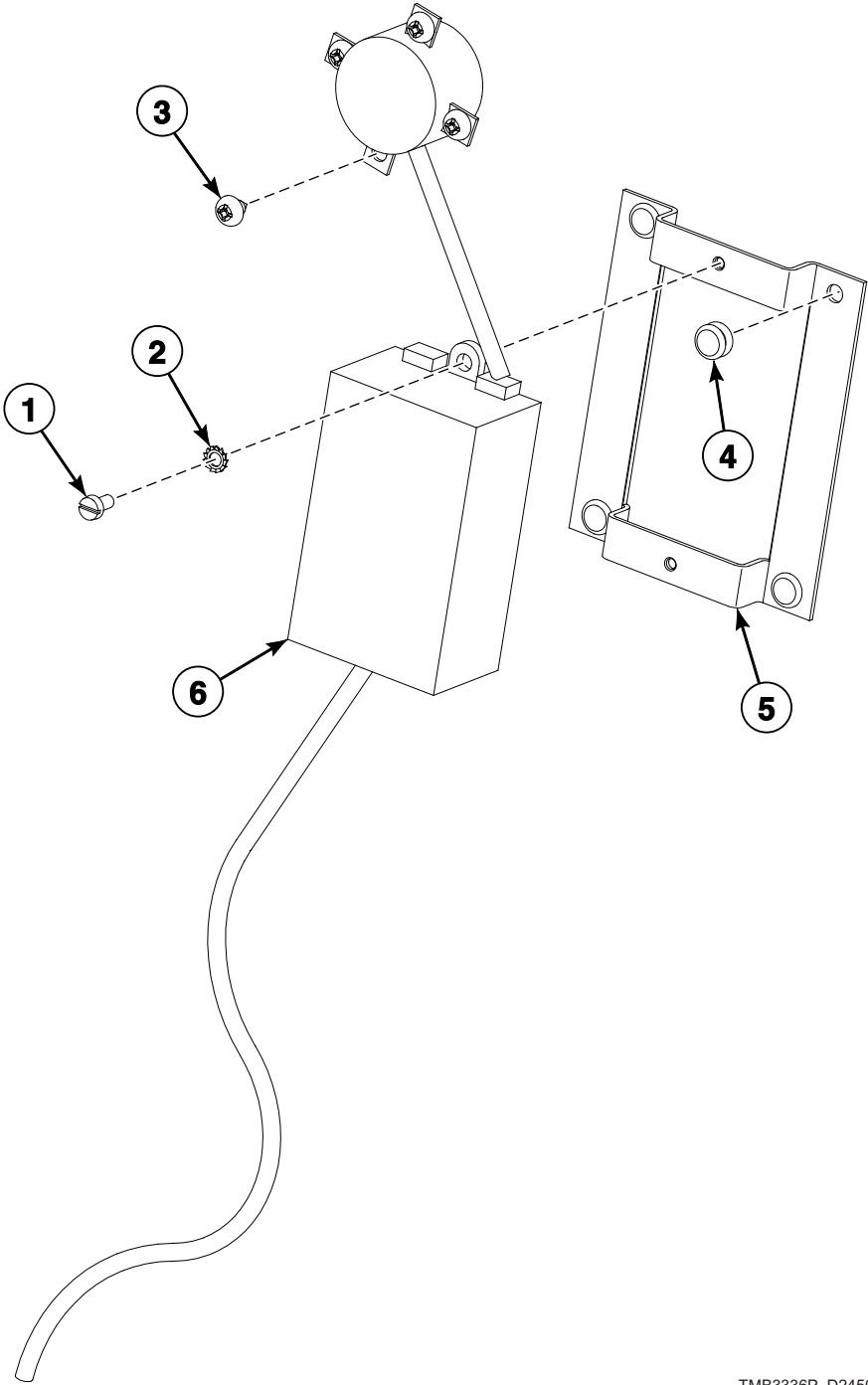


TMB3370P\_D2450

## Under Pressure Clutch

REF	PART NO.	DESCRIPTION	COMMENTS
	SP525467	Underpressure Clutch Assembly	Includes items 1-12
1	SP516623	Bolt	
2	SP311125000003	Washer	
3	SP518623	Bolt	
4	SP517441	Microswitch Lever Assembly	
5	SP235119001815	Nut	
6	SPPRI610028017	Microswitch	
7	SP101154	Isolation Plate	
8	SP520803	Microswitch Bracket	
9	SP525468	Clutch	
10	SP520808	Stop End	
11	SP520871	Screw	
12	SP520804	Distance Ring	

# Humidity Sensor



TMB3336P\_D2450



# Humidity Sensor

REF	PART NO.	DESCRIPTION	COMMENTS
	SP532002	Dust Cap Humidity Sensor	
	SP524351	Humidity Sensor Kit	Includes item 1-6
1	SP309084000306	Bolt	
2	SP311679800003	Washer	
3	SP517238	Screw	
4	SP313250004063	Rivet	
5	SP518563	Sensor Holder	
6	SP102456	Humidity Sensor	



# Parts Index

## A

Adhesive	
SP245704003021 .....	17, 19
Adjustable Foot	
SPPRI504000001 .....	9, 11
Autotransformer	
SP552201 .....	47
SP552248 .....	47, 49, 51

## B

Bar	
SP534880 .....	41, 43
Base	
SP541489 .....	33
Bearing	
SP326000600300 .....	45
SP514005 .....	45
SP514007 .....	45
Bearing Bracket	
SP521152 .....	45
Bearing House	
SP515571 .....	45
Belt	
SP518647 .....	45
SP528926 .....	45
Blank Plate Kit	
SP102019 .....	23
Bolt	
SPPRI202001001 .....	23
SP309084000306 .....	55
SP309084000412 .....	35
SP309084000416 .....	31
SP309595240612 .....	39
SP309798500306 .....	7
SP309798524408 .....	23
SP309916000408 .....	45
SP309933000516 .....	41, 43
SP309933000616 .....	35, 45
SP309933000625 .....	33, 39, 45
SP309933000825 .....	41, 43
SP309933001025 .....	45
SP309933001035 .....	45
SP309933001120 .....	45
SP309933100625 .....	21
SP309933240412 .....	9, 11, 27
SP309966240410 .....	5
SP506012 .....	31, 35
SP510954 .....	39
SP515075 .....	19
SP516623 .....	53
SP516693 .....	9, 11
SP518623 .....	53
SP518719 .....	9, 11
SP521128 .....	15
SP521260 .....	5
SP524367 .....	17, 19
SP525101 .....	17, 19
SP533726 .....	33
SP537864 .....	31

SP545529 .....	9, 11
Bracket	
SP541436 .....	33
Burner Tube	
SP552515 .....	23, 27
Bushing	
SP101405 .....	9, 13, 31, 39
SP101406 .....	31, 35
SP101407 .....	13
SP101408 .....	13, 31
SP101409 .....	13

## C

Cabinet	
SP541459 .....	31
Chain	
SP521266 .....	5
Clamp	
SP346000280101 .....	51
SP529013 .....	43
Clamp Ring	
SP521283 .....	41
SP527877 .....	43
Clutch	
SP525468 .....	53
SP534901 .....	41
Coin Vault	
SP321848140028 .....	9, 11
Coin Vault Assembly	
559747 .....	9, 11
Coin Vault Box	
SP521329 .....	9, 11
Coin Vault Bracket	
SP559746 .....	9, 11
Coin Vault Cover	
SP515291 .....	9, 11
Coin Vault Frame	
SP501514 .....	9, 11
Connector	
345000180901 .....	23
Contact	
345000160645 .....	23
Contacto	
569856 .....	47, 49, 51
569857 .....	47, 49
Control Board	
SP102457 .....	7
SP556608 .....	7
Control Panel	
556623 .....	7
556629 .....	7
556630 .....	7
556631 .....	7
559764 .....	7
Control Panel Assembly	
556621 .....	7
559766 .....	7
559767 .....	7
559768 .....	7

N/A items do not appear in index.

559769	7
559873	7
559874	7
559875	7
559876	7
571904	7
574507	7
575439	7
575459	7
Control Relay	
SP552311	47
Control Unit	
571938	27
Cover	
SP346000014010	47, 49, 51
SP346000280301	51
SP525075	21
SP541314	33
SP541434	33
SP541468	33
SP551860	33
SP566259	33
SP566304	33

## D

Damper Tube	
SP534879	41
Detection Electrode	
SP102002	23
Distance Ring	
SP518529	45
SP520804	53
Door	
SP524364	17
SP556552	17
SP559701	17
579509	19
579510	19
Door Assembly	
SP524359	17
SP556558	17
SP556559	17
SP556561	17
SP559703	17
559702	17
579505	19
579506	19
579507	19
579508	19
Door Glass	
SP512053	17, 19
Door Plastic Layer	
580338	19
Door Ring	
SP534873	17, 19
Door Switch Assembly	
SP520404	9, 11
Door Switch Holder	
SP520403	9, 11
Double Drum Pulley	
SP518646	45
Double Pulley	
SP534703	45
SP534984	45

N/A items do not appear in index.

Drum	
573274	15
577727	15
Drum Assembly	
573272	15
573273	15
Drum Cross	
SP521020	15
Dust Cap Humidity Sensor	
SP532002	55

## E

Elbow	
SP521215	41
SP527236	35
SP527871	43
572350	27
572352	27
Elbow Bracket Assembly	
SP556943	35
Electric Box	
SP521243	49
575429	47
Electrical Box	
SP521244	51
Electrode Bracket	
SP525442	23
Emergency Stop Connector	
SP528311	7
Emergency Stop Knob	
SP528310	7
End Cover	
552483	47, 49, 51
End Stop	
SP346000209101	47, 49, 51
Exhaust Assembly	
SP534877	41
SP534906	43
Exhaust Lid	
SP541312	9, 11

## F

Fan	
SP528481	31
Fan Assembly	
SP541496	31
Fan Cover	
SP541484	31
Fan Holder	
SP541495	31
Filling Hose Pipe	
SPPRI505000054	35
SP101621	35
Filter	
SP521274	9, 11
SP523615	11
560126	9
Filter Assembly	
SP560161	9

Filter Panel Assembly	
SP521113 .....	5
SP521261 .....	5
555953 .....	5
559711 .....	5
Fine Filter	
560157 .....	9
Fixation Ring	
579515 .....	19
580339 .....	19
Flame Detection Cable	
SP516144 .....	23
Flange	
SP102018 .....	23
Flange Bearing Body	
SP514011 .....	45
Flap Assembly	
SP534902 .....	43
Flap Stop	
SP534900 .....	41, 43
Frequency Inverter	
SP557962 .....	51
Front Seal	
SP518505 .....	9, 11
Fuse	
SPPRI401001021 .....	47, 49, 51
SPPRI401020021 .....	51
SP345805005020 .....	47, 49, 51
SP345805163032 .....	51
SP514133 .....	47, 49, 51
SP557786 .....	21
Fuse Case	
SP346000004010 .....	47, 49, 51
Fuse Housing	
552482 .....	47, 49, 51
Fuse Isolator	
SP358251601312 .....	47, 49

---

## G

Gas Heater Box	
SP523780 .....	23
571918 .....	27
Gas Valve	
SP102000 .....	23
SP520281 .....	23
572351 .....	27
Gas Valve Cable	
SP357500459412 .....	23
Gas Valve Wiring	
520098 .....	23
Gasket	
SP101275 .....	7
Glue	
SP534969 .....	17, 19

---

## H

Handle	
579513 .....	19
579514 .....	19

Heat Pump	
556086 .....	31
556087 .....	31
556088 .....	31
556089 .....	31
556094 .....	31
556095 .....	31
556096 .....	31
556097 .....	31
556661 .....	31
556662 .....	31
556665 .....	31
556666 .....	31
Heater Box	
SP528901 .....	21
Heating Component Assembly	
SP521332 .....	21
SP521372 .....	21
SP556010 .....	21
Heating Element	
SP510984 .....	21
SP510985 .....	21
Hinge	
SP521222 .....	5
Holder	
571884 .....	27
571920 .....	27
571937 .....	27
Hose	
SPPRI540000014 .....	35
SP273454410020 .....	23
Hose Clamp	
SPPRI240000002 .....	35
SPPRI240000005 .....	41
Hose Pipe	
SP101745 .....	35
Humidity Sensor	
SP102456 .....	55
Humidity Sensor Cover	
SP551869 .....	31
Humidity Sensor Kit	
SP524351 .....	55

---

## I

Ignition Cable	
SP516143 .....	23
571487 .....	27
Ignition Electrode	
575643 .....	23, 27
Ignition Unit	
SP357456010080 .....	51
Inlet	
SP521268 .....	11
Insulation	
SP552666 .....	35
Interconnection	
SP346000280402 .....	51
Isolation Paper	
SPPRI350012007 .....	9, 13
Isolation Plate	
SP101154 .....	9, 11, 53

N/A items do not appear in index.

---

**K**

Key	
SP505449 .....	45

---

**L**

Latch	
SP514530 .....	5, 17, 19
Lath	
SP524582 .....	17, 19
SP556553 .....	17
SP559706 .....	17, 19
Lock	
SP521221 .....	5
Lower Door Hinge	
SP525104 .....	17, 19
SP556554 .....	17
SP559704 .....	17, 19

---

**M**

Magnet	
SP556557 .....	17
564203 .....	19
Main Switch	
SPPRI404000097 .....	9, 13
SPPRI404000098 .....	13
SPPRI404000099 .....	13
SP506407 .....	13
Main Switch Knob	
SPPRI404000095 .....	9, 13
Main Switch Panel	
520816 .....	9
Mechanical Interlock Unit	
569858 .....	47, 49, 51
Memory	
SP526001 .....	7
102471 .....	7
102472 .....	7
545269 .....	7
545270 .....	7
572334 .....	7
572335 .....	7
Microswitch	
SPPRI610011077 .....	9, 11
SPPRI610028017 .....	53
SP506045 .....	9, 11
SP517484 .....	9, 11
Microswitch Bracket	
SP520803 .....	53
Microswitch Lever Assembly	
SP517441 .....	53
Motor	
SP518639 .....	39
SP518640 .....	39
SP523621 .....	45
SP523724 .....	45
SP528147 .....	45
SP545525 .....	39
SP545526 .....	39

Motor Bracket	
SP521240 .....	45
Motor Pulley	
SP527723 .....	45
SP528922 .....	45
SP530720 .....	45
SP530721 .....	45

---

**N**

Nozzle	
SP512067 .....	23
SP556922 .....	35
Nozzle Adapter	
SP556916 .....	35
Nozzle Bracket Assembly	
SP556919 .....	35
Nozzle Fitting Adapter	
SP556915 .....	35
Nozzle Holder Assembly	
SP556920 .....	35
Nut	
SP101415 .....	9, 13, 31, 39
SP101416 .....	31, 35
SP101417 .....	13
SP101418 .....	13, 31
SP101419 .....	13
SP235119001815 .....	53
SP310934000004 .....	9, 11
SP310934000006 .....	33
SP310934000008 .....	41, 43
SP310934000010 .....	9, 11, 15, 45
SP310934000020 .....	33
SP310934100006 .....	21
SP310934240004 .....	17, 19
SP310934240005 .....	23, 27
SP310985000006 .....	45
SP310985000010 .....	45
SP310985000012 .....	45
SP514193 .....	19
SP534929 .....	41, 43
SP545530 .....	9, 11

---

**O**

Orifice	
517222 .....	25, 29
517223 .....	25, 29
517224 .....	25, 29
517225 .....	25, 29
517226 .....	25, 29
517227 .....	25, 29
517241 .....	25, 29
517243 .....	25, 29
517245 .....	25, 29
517246 .....	25, 29
517250 .....	25, 29
517251 .....	25, 29
517252 .....	25, 29
517253 .....	25, 29
517257 .....	25, 29
517258 .....	25, 29
517327 .....	25, 29
517328 .....	25, 29
517329 .....	25, 29

N/A items do not appear in index.

517330	25, 29
517331	25, 29
517337	25, 29
520236	25, 29
520237	25, 29
520399	25, 29
525465	25, 29
525466	25, 29
530819	25, 29
530820	25, 29
575530	29
Outer Door Gasket	
SP519933	17, 19
Overlay	
SP556100	7
SP559863	7
SP559864	7

## P

Plastic Layer Holder	
580337	19
Plug	
SPPRI505003064	9, 13
SP273127001798	41, 43
SP345900025012	13
SP345900032132	13
SP345900043132	13
SP534882	41
SP534904	43

## R

Rear Cover	
SP525524	23, 27
Rear Lower Cover	
SP521181	13
Rear Reinforcement Panel	
SP524286	13
Rear Upper Cover	
SP524288	13
Reducer	
SP527879	43
Reduction	
SP521217	41
Relay	
SP514057	47, 51
SP514134	51
Relay Case	
SP506586	47, 51
Resistance Bleeder	
SP520195	51
Retaining Ring	
SP515517	45
Rinsing System Bracket	
SP556954	35
Rivet	
SP313250004063	55

## S

Safety Thermostat	
SP514016	39
SP514127	21, 23, 27
Screw	
SP100218	5, 7, 9, 11, 13, 21, 23, 27, 39, 47, 49, 51
SP517238	21, 23, 27, 39, 55
SP520871	53
SP529206	33
572361	27
Seal	
SP517232	23, 27
SP517404	5
Sealant	
SPPRI704000053	33
Sensor Holder	
SP518563	55
Side Panel	
SP541463	31
SP541464	31
556006	31
556008	31
556651	31
556652	31
Spacer	
SP520940	39
Stop End	
SP520808	53
Stop Pin	
SP520201	17, 19
Support Plate	
SP521232	45
Switch	
SP100388	9, 11
Switching Unit	
SP528312	7
Swivel Wheel Assembly	
SP541494	33
SP551864	33

## T

Tape	
SP284000012003	39
Temperature Sensor	
SP516092	21, 23, 27
SP534930	37, 39
Tension Assembly	
SP528927	45
SP545520	45
Tension Rod	
SP534704	45
Tensioning Board	
SP521172	45
Tensioning Bracket	
SP521171	45
Terminal Board	
SPPRI350000007	9, 13
Terminal Board Cover	
SP537625	27

N/A items do not appear in index.

Thermostat Bracket	
SP541457 .....	33
Transformer	
SP514021 .....	47, 49, 51
SP516648 .....	51
Trolley	
SP521334 .....	21
Tube	
SP519198 .....	23
SP534905 .....	43
571881 .....	27
571928 .....	27

---

## U

Underpressure Clutch Assembly	
SP525467 .....	53
Upper Cover	
SP521153 .....	9, 13
SP521247 .....	9, 13
SP556012 .....	9, 13
SP559708 .....	9, 13
Upper Door Hinge	
SP525105 .....	17, 19
SP556555 .....	17
SP559705 .....	17, 19
Upper Panel Assembly	
559713 .....	5
559714 .....	5
559715 .....	5
559716 .....	5
559717 .....	5
559718 .....	5
559719 .....	5
559720 .....	5
559721 .....	5
559722 .....	5
559723 .....	5
559724 .....	5

---

## V

Valve	
SP556959 .....	35
Valve Bracket Assembly	
SP556946 .....	35
Valve Cover Assembly	
SP556947 .....	35
Ventilator	
SP102413 .....	39
SP552675 .....	37
Ventilator Assembly	
SP534968 .....	39
SP545521 .....	39
SP545522 .....	39
Ventilator Assembly .....	39
Ventilator Box	
SP527868 .....	39

---

## W

Washer	
SP31112500003 .....	9, 11, 23, 27, 53
SP31112500004 .....	9, 11, 27, 31, 35
SP31112500005 .....	5, 23
SP31112500006 .....	33, 35, 45
SP31112500008 .....	41, 43
SP31112500010 .....	9, 11, 15, 45
SP31112500013 .....	45
SP311125240004 .....	23
SP31112700003 .....	9, 11
SP31112700004 .....	9, 11, 27, 31, 35
SP31112700005 .....	5, 23
SP31112700006 .....	35, 45
SP31112700008 .....	41, 43
SP31112700010 .....	45
SP311127240004 .....	23
SP311679800003 .....	7, 55
SP311679824006 .....	21, 33
SP311902100006 .....	31, 39
SP311902100008 .....	39
SP311902100010 .....	45
SP311902100012 .....	45
SP510697 .....	15
SP512233 .....	15
SP514906 .....	5
SP516669 .....	21, 23, 27, 41, 43
SP545531 .....	9, 11
517426 .....	15

---