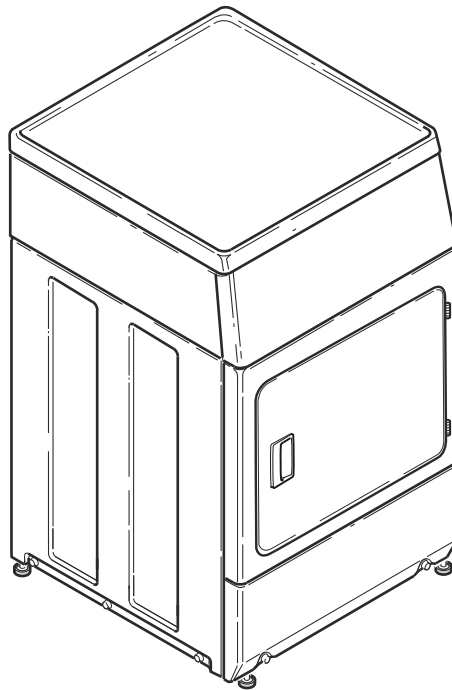


Commercial Dryers

Models Starting Serial No. 2001000001
Metered and Nonmetered
Refer to Page 5 for Model Numbers



DRY721C_D518516

Table of Contents

Title	Page
Parts Ordering Information.....	3
Serial Plate Location	3
Model Identification	5
Control Panel and Controls - Rear Control Coin Drop Models.....	6
Control Panel and Controls - Rear Control Card Models	8
Non-Electronic Coin Drop - Rear Control Models	10
Electronic Coin Drop - Rear Control Models	12
Meter Case - Rear Control Coin Drop Models	14
Cabinet Top - Rear Control Models	16
Control Panel and Controls - 10 Degree Front Control Models (Drawing 1 of 4).....	18
Control Panel and Controls - 10 Degree Front Control Models (Drawing 2 of 4).....	20
Control Panel and Controls - 10 Degree Front Control Models (Drawing 3 of 4).....	22
Control Panel and Controls - 10 Degree Front Control Models (Drawing 4 of 4).....	24
Network Board Assembly.....	26
Non-Electronic Coin Drop - Front Control Models.....	28
Electronic Coin Drop - Front Control Models	30
Control Cabinet Controls - 10 Degree Front Control Models (Drawing 1 of 3).....	32
Control Cabinet Controls - 10 Degree Front Control Models (Drawing 2 of 3).....	34
Control Cabinet Controls - 10 Degree Front Control Models (Drawing 3 of 3).....	36
Cabinet Top - 10 Degree Front Control Models	38
Control Cabinet - 45 Degree Front Control Models (Drawing 1 of 2).....	40
Control Cabinet - 45 Degree Front Control Models (Drawing 2 of 2).....	42
Loading Door without Window	44
Loading Door with Window	46
Access Panel	48
Front Panel and Seal	50
Motor and Belt (Drawing 1 of 2).....	52
Motor and Belt (Drawing 2 of 2).....	54
Exhaust Fan and Idler	56
Thermistor (Drawing 1 of 3)	58
Thermistor (Drawing 2 of 3)	60
Thermistor (Drawing 3 of 3)	62
Front Bulkhead, Air Duct and Felt Seal (Drawing 1 of 2).....	64
Front Bulkhead, Air Duct and Felt Seal (Drawing 2 of 2).....	66
Cylinder Assembly	68
Rear Bulkhead, Felt Seal and Cylinder Roller	70
Terminal Block	72
Terminal Block - 3 Phase Electric Models.....	74
Heater Duct Assembly - 3 Phase Electric Models.....	76
Heater Duct and Element Assembly - 1 Phase Electric Models	78
Heater Duct Assembly	80

© Copyright 2023, Alliance Laundry Systems LLC

All rights reserved. No part of the contents of this book may be reproduced or transmitted in any form or by any means without the expressed written consent of the publisher.

Gas Valve and Igniter	82
Gas Valve	84
Gas Conversion Kits	86
Burner Orifice Spuds - For Higher Elevations	88
Cabinet, Exhaust Duct and Base (Drawing 1 of 2)	90
Cabinet, Exhaust Duct and Base (Drawing 2 of 2)	92
Contactor and Transformer (Drawing 1 of 2)	94
Contactor and Transformer (Drawing 2 of 2)	96
Ignition Control Module	98
Power Cord (Drawing 1 of 2)	100
Power Cord (Drawing 2 of 2)	102
Junction Box	104
Junction Box Filter and Harnesses (Drawing 1 of 2).....	106
Junction Box Filter and Harnesses (Drawing 2 of 2).....	108
Terminal Block and Terminals	110
Terminals	112
Motor Connection Block and Tools	114
Wire Harnesses and Wires - Front Control Models (Drawing 1 of 3).....	116
Wire Harnesses and Wires - Front Control Models (Drawing 2 of 3).....	118
Wire Harnesses and Wires - Front Control Models (Drawing 3 of 3)	120
Wire Harnesses and Wires - Rear Control Models	122
Label Location on Rear of Cabinet	124
Sound Sensor	126
Parts Index.....	129

Parts Ordering Information

If literature or replacement parts are required, contact the source from whom the machine was purchased or contact Alliance Laundry Systems at (920) 748-3950 for the name and address of the nearest authorized parts distributor.

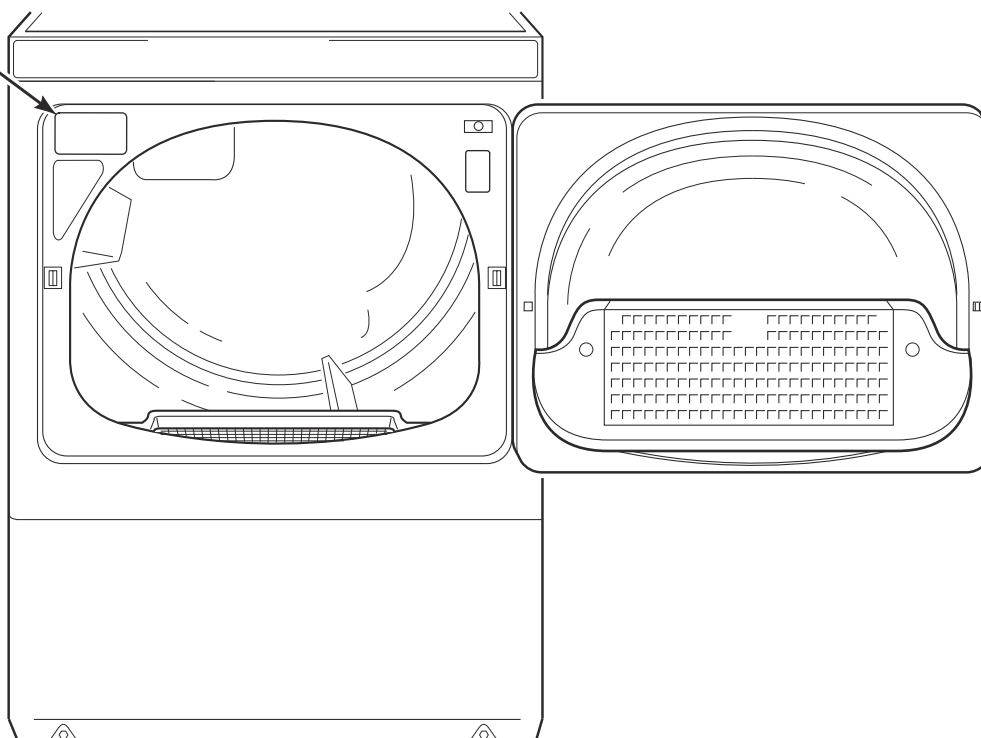
For technical assistance, call the number listed below:

(920) 748-3121 Ripon, Wisconsin

Serial Plate Location

When calling or writing about your product, be sure to mention model and serial numbers. Model and serial numbers are located on serial plate(s) as shown.

SERIAL PLATE



DRY2283P_D518516

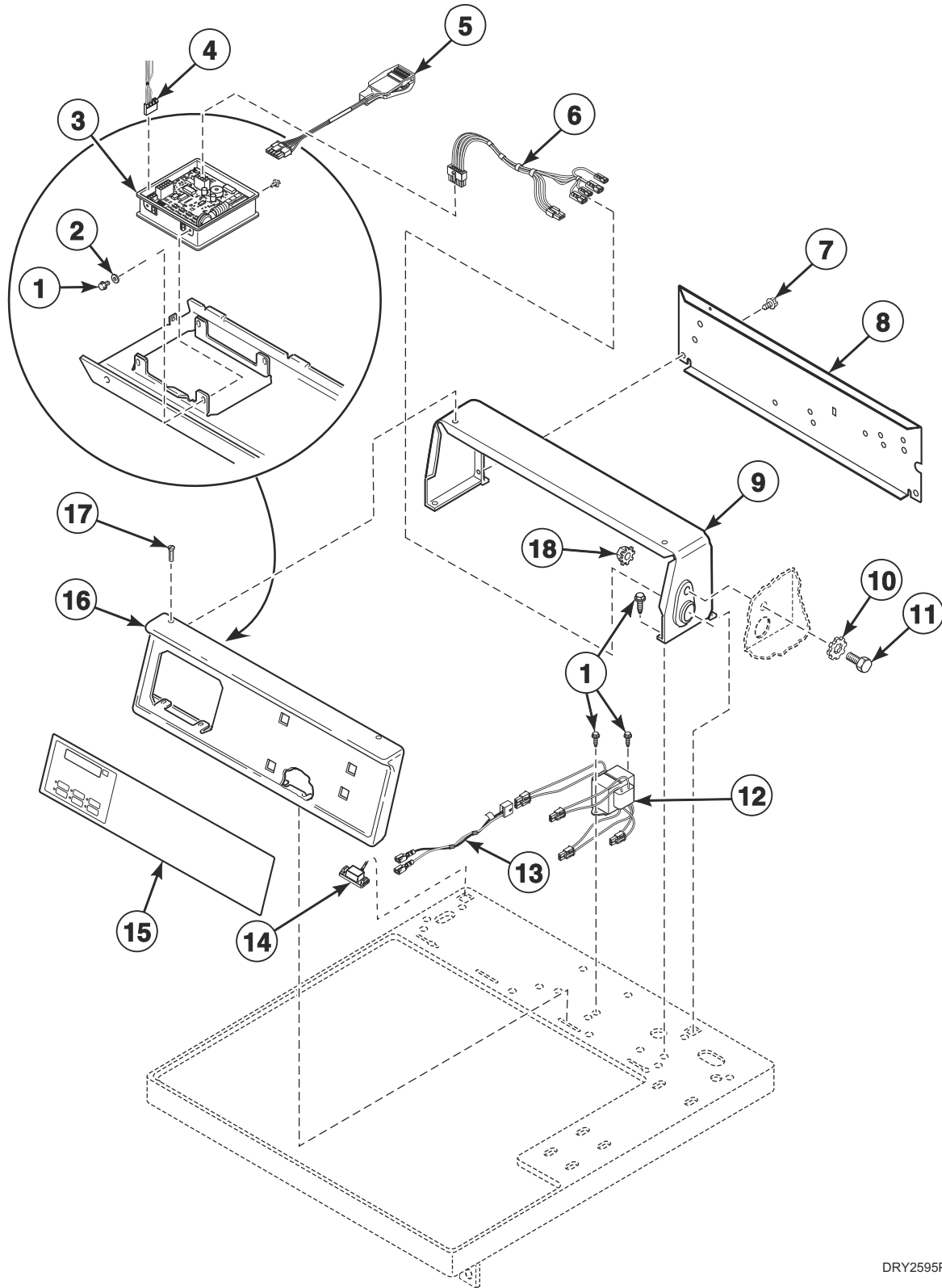
Model Identification

Information in this manual is applicable to these dryer models:

BD3NGBGS403UW01	JDEJGAGS303EW01	SD3JGBGS403UW01
BD3NGBSS403UN01	JDEJGAGW303EW01	SD3NGBGS403UG01
BD3NXAGS403UW01	JDEJRAGS303EW01	SD3NGBGS403UN01
HDENEAGS173CW01	JDEJRAGW303EW01	SD3NLBGS403UG01
HDENEAGS176CW01	JDEJXAGW303EW01	SD3NLBGS403UN01
HDENERGS173CW01	JDEVGAGS303EW01	SD3NXAGS403UG01
HDENERGS176CW01	JDEVGAGS303EW01	SD3RGBGS403UG01
HDENXAGS173CW01	JDEVRAGS303EW01	SD3NXAGS403UN01
HDENXAGS176CW01	JDGJGAGS303EW01	SDEJXAGS553UG16
HDENXAGS176CWSS	JDGJGAGW303EW01	SDENGBGS303UG01
HDENXAGS543DW01	JDGJRAGS303EW01	SDENGBGS543ZG01
HDENXRGS173CW01	JDGJRAGW303EW01	SDENLBGS303UG01
HDENXRGS176CW01	JDGJXAGW303EW01	SDENLBGS543ZG01
HDENXRGS176CWSS	JDGVGAGS303EW01	SDENXAGS303UG01
HDENYAGS173CW01	ND3NLBGS403NW22	SDENXAGS543DW01
HDENYAGS176CW01	ND3NLBGS403UG01	SDENXAGS543RW01
HDENYAGS176CWSS	ND3NLBGS403UN01	SDENXRGS433AW01
HDENYRGS173CW01	ND3NLBSS403UN01	SDENXRGS433LW01
HDENYRGS176CW01	ND3NXAGS403UG01	SDENYRGS303NW22
HDENYRGS176CWSS	ND3NXAGS403UN01	SDERXAGS303UG01
HDGNERGS113CW01	ND3NXAGS403UN01	SDERXAGS433AW01
HDGNERGS116CW01	ND3NXASS403UN01	SDERXAGS543DW01
HDGNXAGS113CW01	NDENGBGS303UG01	SDERXRGS433AW01
HDGNXAGS116CW01	NDENLBGS303UG01	SDEWXAGS433LW01
HDGNXAGS116CWSS	NDENXAGS173MW01	SDGNGBGS303UG01
HDGNXAGS123DW01	NDENXAGS303UG01	SDGNLBGS303UG01
HDGNXAGS543DW01	NDENXAGS303UW01	SDGNXAGS123DW01
HDGNXRGS113CW01	NDGNLBGS303UG01	SDGNXAGS303AW01
HDGNXRGS116CW01	NDGNXAGS113MW01	SDGNXAGS303BW01
HDGNXRGS116CW01	NDGNXAGS303EW01	SDGNXAGS303EG01
HDGNYAGS113CW01	NDGNXAGS303UG01	SDGNXAGS303UG01
HDGNYAGS116CW01	NDGNXAGS303ZW38	SDGNXAGS543DW01
HDGNYRGS113CW01	PD3JGBGS403UG01	SDGNXRGS303AW01
HDGNYRGS116CW01	PD3JXAGS403UG01	SDGRXAGS543DW01
	PDEJGBGS303UG01	SDGWXAGS303BW01
	PDGJGBGS303UG01	SDLNXRGS303LW01
	PDGJXAGS303UG01	SDLNXRGS543NW23
		SDLNXRGS543PW01
		SDMNXRGS083JW01
		SDMNXRGS103JW01
		TD3NGBGS403NW36

Control Panel and Controls - Rear Control Coin Drop Models

Models HDENERGS173CW01, HDENERGS176CW01, HDENXRGS173CW01, HDENXRGS176CW01, HDENXRGS176CWSS, HDGNERGS113CW01, HDGNERGS116CW01, HDGNXRGS113CW01, HDGNXRGS116CW01, SDENXRGS433AW01, SDENXRGS433LW01, SDERXRGS433AW01, SDGNXRGS303AW01, SDLNXRGS303LW01, SDLNXRGS543NW23, SDLNXRGS543PW01, SDMNXRGS083JW01 and SDMNXRGS103JW01



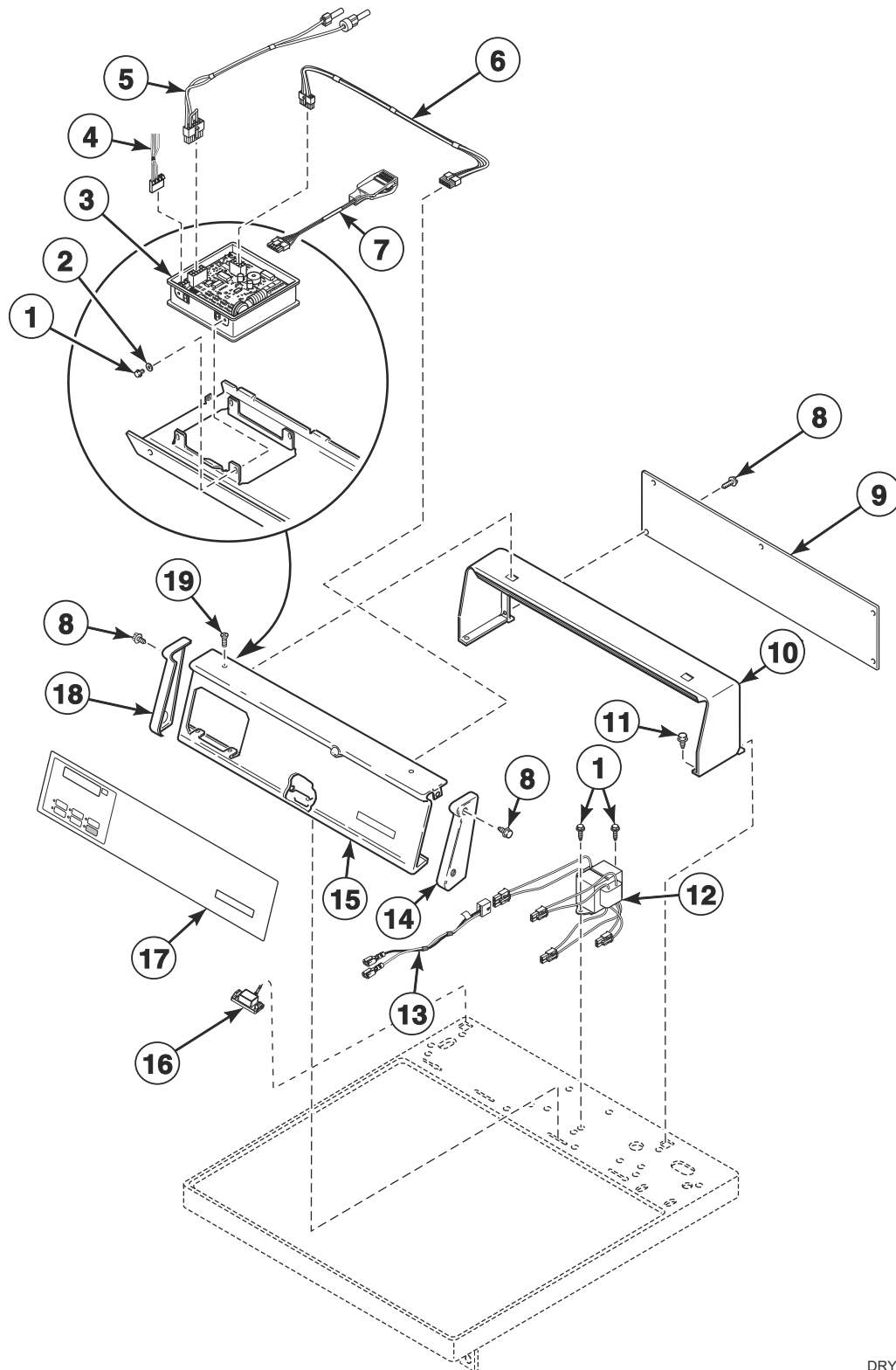
DRY2595P

Control Panel and Controls - Rear Control Coin Drop Models

REF	PART NO.	DESCRIPTION	COMMENTS
	905P3	Security Kit	Hood lock
	203328	Network Retrofit Kit	Wired
	204689	Wireless Network Kit	
	203346	USB IR Interface Kit	
	NK220	Network Controller Kit	Wired
	NK320	Ethernet Gateway Kit	Wireless
	NK330	USB Gateway Kit	Wireless
	F8713906	Serial Pay Harness	Models HDENXRGS176CW01 and HDGNXRGS116CW01
	807714	Serial Pay Control Assembly	Models HDENXRGS176CW01 and HDGNXRGS116CW01
1	D503688	Screw	
2	200608	Washer	
3	D518647	Control Assembly	Models HDENERGS176CW01, HDENXRGS176CW01, HDENXRGS176CWSS, HDGNERGS116CW01 and HDGNXRGS116CW01
	D517522	Control Assembly	All other models
4	D511478	Central Pay Harness	
5	203361P	Machine ID Control Assembly	Model or serial number is required when ordering
6	204915	Dual Coin Harness Assembly	Models HDENERGS176CW01, HDENXRGS176CW01, HDENXRGS176CWSS, HDGNERGS116CW01 and HDGNXRGS116CW01
	202871	Dual Coin Harness Assembly	Coin drop; All other models
7	D501086	Screw	
8	804886	Hood Back Panel	
9	D502567W	Control Hood	White
10	M400017	Washer	
11	02916	Screw	
12	202757	Transformer	Models HDENERGS173CW01, HDENERGS176CW01, HDENXRGS173CW01, HDENXRGS176CW01, HDGNERGS113CW01, HDGNERGS116CW01, HDGNXRGS113CW01, HDGNXRGS116CW01, SDMNXRGS083JW01 and SDMNXRGS103JW01
13	D514071	Transformer Harness	Models HDENERGS173CW01, HDENERGS176CW01, HDENXRGS173CW01, HDENXRGS176CW01, HDENXRGS176CWSS, SDENXRGS433AW01 and SDERXRGS433AW01
	804832	Harness	Models HDGNERGS113CW01, HDGNERGS116CW01, HDGNXRGS113CW01, HDGNXRGS116CW01, SDMNXRGS083JW01 and SDMNXRGS103JW01
14	D518898	Power Supply Assembly	Model HDENXRGS176CWSS
	D519054	Power Supply Assembly	Model SDERXRGS433AW01
15	D514367	Control Overlay	Models SDENXRGS433AW01, SDENXRGS433LW01, SDERXRGS433AW01, SDGNXRGS303AW01, SDLNXRGS303LW01, SDMNXRGS083JW01 and SDMNXRGS103JW01
	D514485	Control Overlay	Models SDLNXRGS543NW23 and SDLNXRGS543PW01
	D514654	Control Overlay	Models HDENERGS173CW01, HDENXRGS173CW01, HDGNERGS113CW01 and HDGNXRGS113CW01
	D518081	Control Overlay	Models HDENERGS176CW01, HDENXRGS176CW01, HDENXRGS176CWSS, HDGNERGS116CW01 and HDGNXRGS116CW01
16	807812W	Control Panel	White; Models HDENERGS176CW01, HDENXRGS176CW01, HDENXRGS176CWSS, HDGNERGS116CW01 and HDGNXRGS116CW01
	D510067W	Control Panel	White; All other models
17	52864	Screw	Phillips head
	35528	Screw	Torx head
18	52566	Nut	

Control Panel and Controls - Rear Control Card Models

Models HDENYRGS173CW01, HDENYRGS176CW01, HDENYRGS176CWSS, HDGNYRGS113CW01, HDGNYRGS116CW01 and SDENYRGS303NW22



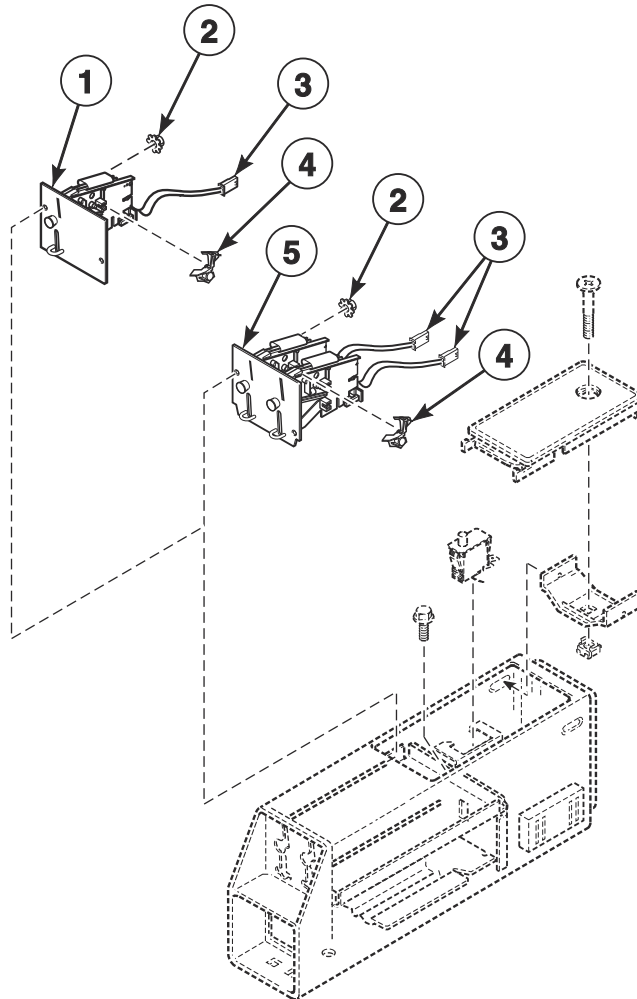
DRY2596P

Control Panel and Controls - Rear Control Card Models

REF	PART NO.	DESCRIPTION	COMMENTS
	905P3	Security Kit	Hood lock
	204689	Wireless Network Kit	
	203328	Network Retrofit Kit	Wired
	203346	USB IR Interface Kit	
	NK220	Network Controller Kit	Wired
	NK320	Ethernet Gateway Kit	Wireless
	NK330	USB Gateway Kit	Wireless
	F8713906	Serial Pay Harness	Models HDENYRGS176CW01 and HDGNYRGS116CW01
	807714	Serial Pay Control Assembly	Models HDENYRGS176CW01 and HDGNYRGS116CW01
1	D503688	Screw	
2	200608	Washer	
3	D518647	Control Assembly	Models HDENYRGS176CW01, HDENYRGS176CWSS and HDGNYRGS116CW01
	D517522	Control Assembly	All other models
4	D511478	Central Pay Harness	
5	204916	Wiring Harness Assembly	Diagnostic; Models HDENYRGS176CW01, HDENYRGS176CWSS and HDGNYRGS116CW01
	202869	Wiring Harness Assembly	All other models
6	800125P	Card Reader Wire Harness Assembly	
7	203361P	Machine ID Control Assembly	Model or serial number is required when ordering
8	D501086	Screw	
9	804884	Rear Panel	
10	D511253W	Control Hood	White
11	02916	Screw	
12	202758	Transformer	Model SDENYRGS303NW22
	202757	Transformer	Models HDENYRGS173CW01, HDENYRGS176CW01, HDENYRGS176CWSS, HDGNYRGS113CW01 and HDGNYRGS116CW01; Some models may have jumper wire attached to transformer. Discard jumper wire when replacing transformer
13	D514071	Transformer Harness	Model SDENYRGS303NW22
	D514073	Transformer Harness	Models HDENYRGS173CW01, HDENYRGS176CW01, HDENYRGS176CWSS and HDGNYRGS116CW01
	804832	Harness	Model HDGNYRGS113CW01
14	210108W	End Cap	Right
15	807660W	Control Panel	White; Models HDENYRGS176CW01, HDENYRGS176CWSS and HDGNYRGS116CW01
	D511055W	Control Panel	White; All other models
16	D518898	Power Supply Assembly	Model HDENYRGS176CWSS
17	D514368	Control Overlay	Model SDENYRGS303NW22
	D514655	Control Overlay	Models HDENYRGS173CW01 and HDGNYRGS113CW01
	D518082	Control Overlay	Models HDENYRGS176CW01, HDENYRGS176CWSS and HDGNYRGS116CW01
18	210109W	End Cap	Left
19	52864	Screw	Phillips head
	35528	Screw	Torx head

Non-Electronic Coin Drop - Rear Control Models

Models HDENERGS173CW01, HDENERGS176CW01, HDENXRGS173CW01, HDENXRGS176CW01, HDENYRGS176CWSS, HDGNERGS113CW01, HDGNERGS116CW01, HDGNXRGS113CW01, HDGNXRGS116CW01, SDENXRGS433AW01, SDENXRGS433LW01, SDERXRGS433AW01, SDGNXRGS303AW01, SDLNXRGS303LW01, SDLNXRGS543NW23, SDLNXRGS543PW01, SDMNXRGS083JW01 and SDMNXRGS103JW01



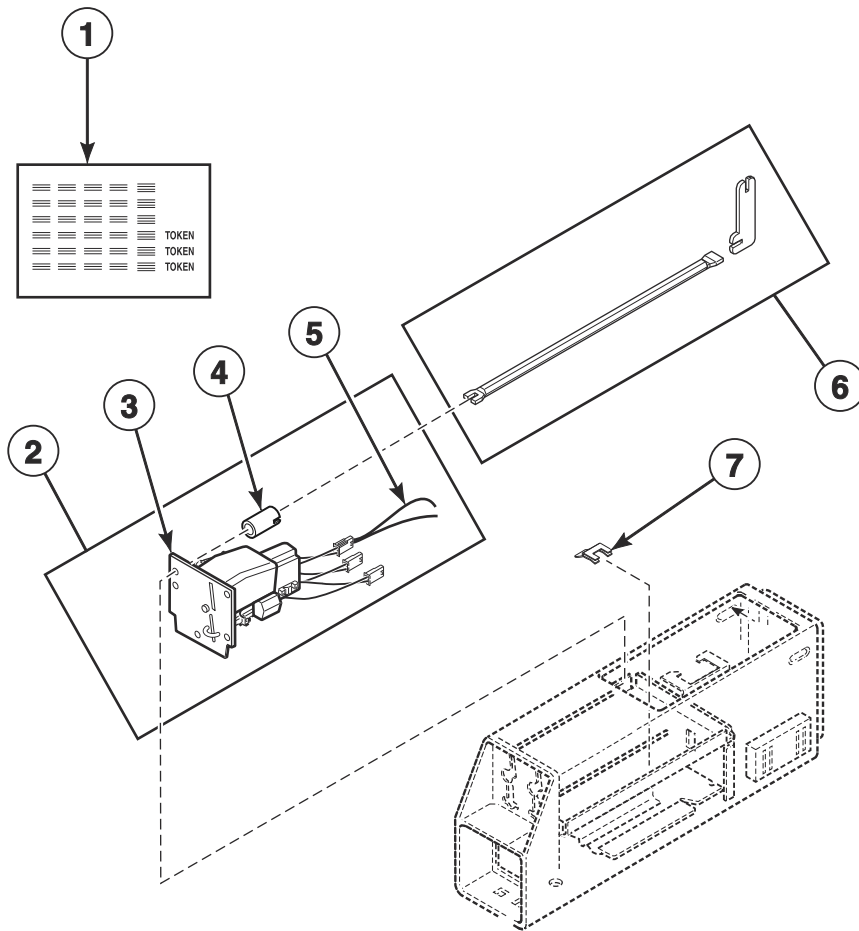
DRY2094P_D518516

Non-Electronic Coin Drop - Rear Control Models

REF	PART NO.	DESCRIPTION	COMMENTS
1	38462P	Coin Drop Assembly	Token; 118-1 mzp; .880 diameter x .079 thick; Brass
	38463	Coin Drop Assembly	Token; 118-5 mzp; .990 diameter x .081 thick; Silver
	38464P	Coin Drop Assembly	Canada; .25
	38475	Coin Drop Assembly	Japan; 100 yen
	CK077	Coin Drop Kit	Taiwan; 10 NT
	70441601P	Coin Drop	U.S.; \$.25
	38963P	Coin Drop	Token 118-16 not available; Replacement for 38963P Coin Drop only
	CK114	Coin Drop Assembly	Singapore; Old 1.00
	CK123	Coin Drop Kit	Singapore; New 1.00
2	29786	Nut	
3	200674P	Opto Coupler	
4	201595P	Wire Guard	Anti-stringing security device; Add to coin drops beginning January 2005
5	70441602	Coin Drop Assembly	Canada; .25 and 1.00
	38467	Coin Drop Assembly	Australia; .20 and 1.00
	38472	Coin Drop Assembly	England; 20 pence and 1 pound
	38519	Coin Drop Assembly	Japan; 100 and 500 yen
	38521	Coin Drop Assembly	Korea; 100 and 500 won
	70482401	Coin Drop Assembly	New Zealand; 1.00 and 2.00
	39157	Coin Drop Assembly	Israel; 1 and 5 shekel

Electronic Coin Drop - Rear Control Models

Models HDENERGS173CW01, HDENERGS176CW01, HDENXRGS173CW01, HDENXRGS176CW01, HDGNERGS113CW01, HDGNERGS116CW01, HDGNXRGS113CW01, HDGNXRGS116CW01, SDENXRGS433AW01, SDENXRGS433LW01, SDGNXRGS303AW01, SDLNXRGS303LW01, SDLNXRGS543NW23, SDLNXRGS543PW01, SDMNXRGS083JW01 and SDMNXRGS103JW01



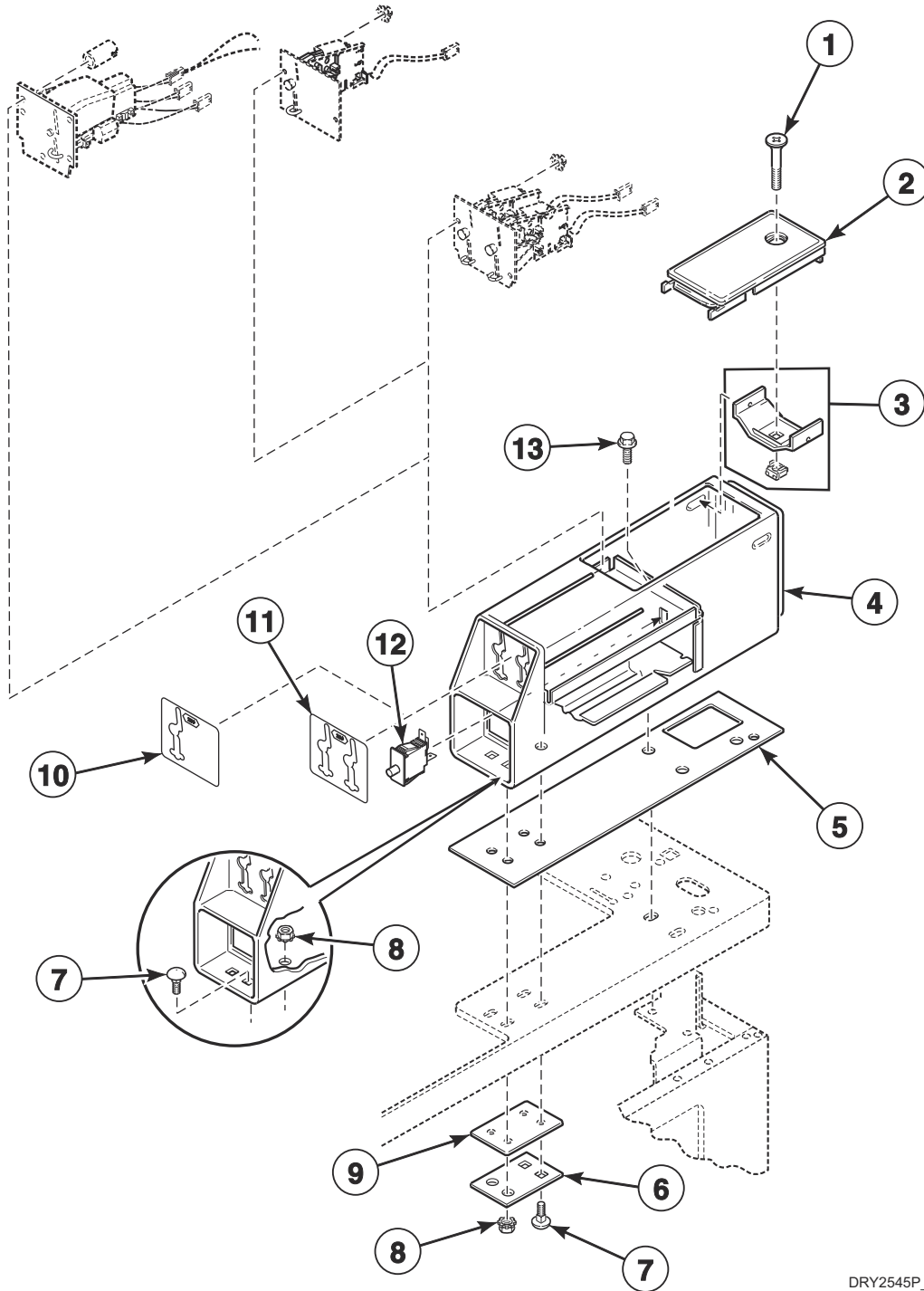
DRY2095P_D518516

Electronic Coin Drop - Rear Control Models

REF	PART NO.	DESCRIPTION	COMMENTS
1	38725	Coin Identification Paper	For use with items 2 and 3
2	CK115	Electronic Coin Drop Kit	Includes items 3-5; United States and Canada coins
	CK099	Electronic Coin Drop Kit	Includes items 3-5; Australia, New Zealand, Hong Kong and South Korea coins
	CK100	Electronic Coin Drop Kit	Includes items 3-5; Euro and Great Britain coins
	CK101	Electronic Coin Drop Kit	Includes items 3-5; Euro, Denmark and Norway coins
	CK103	Electronic Coin Drop Kit	Includes items 3-5; Euro, Lithuania and Latvia coins
	CK106	Electronic Coin Drop Kit	Includes items 3-5; Malaysia, Russia, China and Singapore coins
	CK108	Electronic Coin Drop Kit	Includes items 3-5; South Africa coins
	CK109	Electronic Coin Drop Kit	Includes items 3-5; Euro coins
	CK110	Electronic Coin Drop Kit	Includes items 3-5; Mexico, Ecuador and United States coins
	CK113	Electronic Coin Drop Kit	Includes items 3-5; Japan and Taiwan coins
	CK116	Electronic Coin Drop Kit	Includes items 3-5; Malaysia and China coins
	CK117	Electronic Coin Drop Kit	Includes items 3-5; Russia coins
	CK118	Electronic Coin Drop Kit	Includes items 3-5; Philippine coins
	CK120	Electronic Coin Drop Kit	Includes items 3-5; Chile coins
CK121	Electronic Coin Drop Kit	Includes items 3-5; Singapore coins	
3	70294103P	Electronic Coin Drop Assembly	Euro and Great Britain coins
	70294104	Electronic Coin Drop Assembly	Euro, Denmark and Norway coins
	70513306	Electronic Coin Drop Assembly	Mexico, Ecuador and United States coins
	70294107	Electronic Coin Drop Assembly	Euro, Lithuania and Latvia coins
	70294109	Electronic Coin Drop Assembly	Malaysia, Russia, China and Singapore coins
	70294110	Electronic Coin Drop Assembly	South Africa coins
	70294111	Electronic Coin Drop Assembly	Euro coins
	70513311	Electronic Coin Drop Assembly	Malaysia and China coins
	70294117	Electronic Coin Drop Assembly	Russia coins
	70294120	Electronic Coin Drop Assembly	Chile coins
	70294121	Electronic Coin Drop Assembly	Singapore coins
4	201216	Nut	For use with items 2 and 3
5	201104	Coin Drop Wire Harness	For use with items 2 and 3
6	CK096	Mounting Tool Kit	For use with items 2 and 3
7	201572	Clip	For use with items 2 and 3

Meter Case - Rear Control Coin Drop Models

Models HDENERGS173CW01, HDENERGS176CW01, HDENXRGS173CW01, HDENXRGS176CW01, HDENXRGS176CWSS, HDGNERGS113CW01, HDGNERGS116CW01, HDGNXRGS113CW01, HDGNXRGS116CW01, SDENXRGS433AW01, SDENXRGS433LW01, SDERXRGS433AW01, SDGNXRGS303AW01, SDLNXRGS303LW01, SDLNXRGS543NW23, SDLNXRGS543PW01, SDMNXRGS083JW01 and SDMNXRGS103JW01



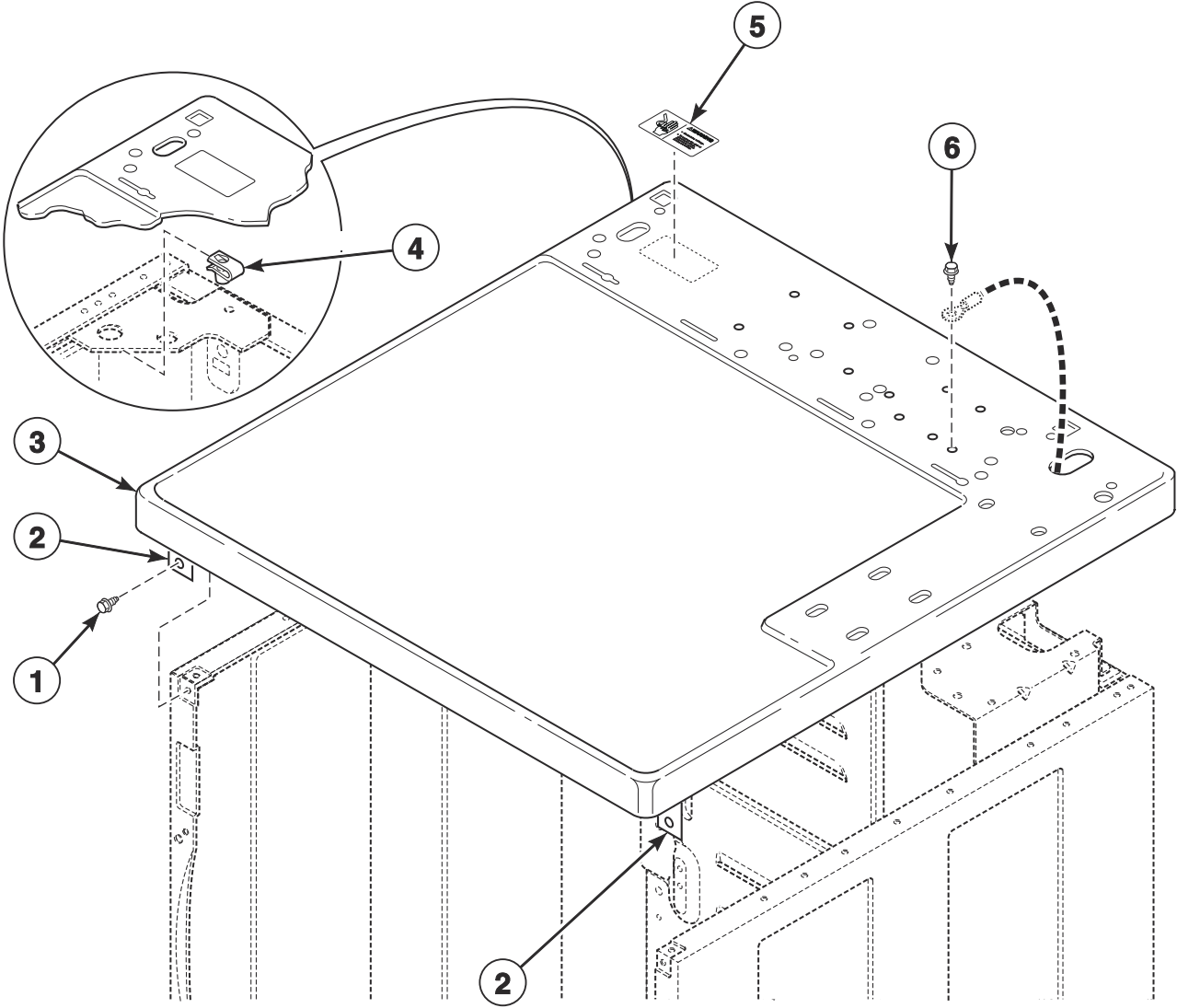
DRY2545P_D518516

Meter Case - Rear Control Coin Drop Models

REF	PART NO.	DESCRIPTION	COMMENTS
1	D503673	Screw	
2	39874WP	Service Door Assembly	White
3	204616	Meter Case Locking Bracket Kit	
4	807406W	Meter Case Assembly	White; For electronic coin drop; Models HDENERGS173CW01, HDENERGS176CW01, HDGNERGS113CW01 and HDGNERGS116CW01
	202877W	Meter Case Assembly	White; Standard capacity; All other models
	807401W	Meter Case Assembly Kit	White; High capacity; All other models
5	26354	Meter Case Gasket	
6	35525	Meter Case Lockdown Bracket	
7	203798	Bolt	
8	29786	Nut	
9	35526	Meter Case Bracket Gasket	
10	38717	Single Overlay	For non-electronic coin drops
	201091	Overlay	For electronic coin drops
11	39073	Dual Overlay	
12	70529301	Switch	
13	36048	Screw	

Cabinet Top - Rear Control Models

Models HDENERGS173CW01, HDENERGS176CW01, HDENXRGS173CW01, HDENXRGS176CW01, HDENXRGS176CWSS, HDENYRGS173CW01, HDENYRGS176CW01, HDENYRGS176CWSS, HDGNERGS113CW01, HDGNERGS116CW01, HDGNXRGS113CW01, HDGNXRGS116CW01, HDGNXRGS113CW01, HDGNXRGS116CW01, SDENXRGS433AW01, SDENXRGS433LW01, SDENYRGS303NW22, SDERXRGS433AW01, SDGNXRGS303AW01, SDLNXRGS303LW01, SDLNXRGS543NW23, SDLNXRGS543PW01, SDMNXRGS083JW01 and SDMNXRGS103JW01



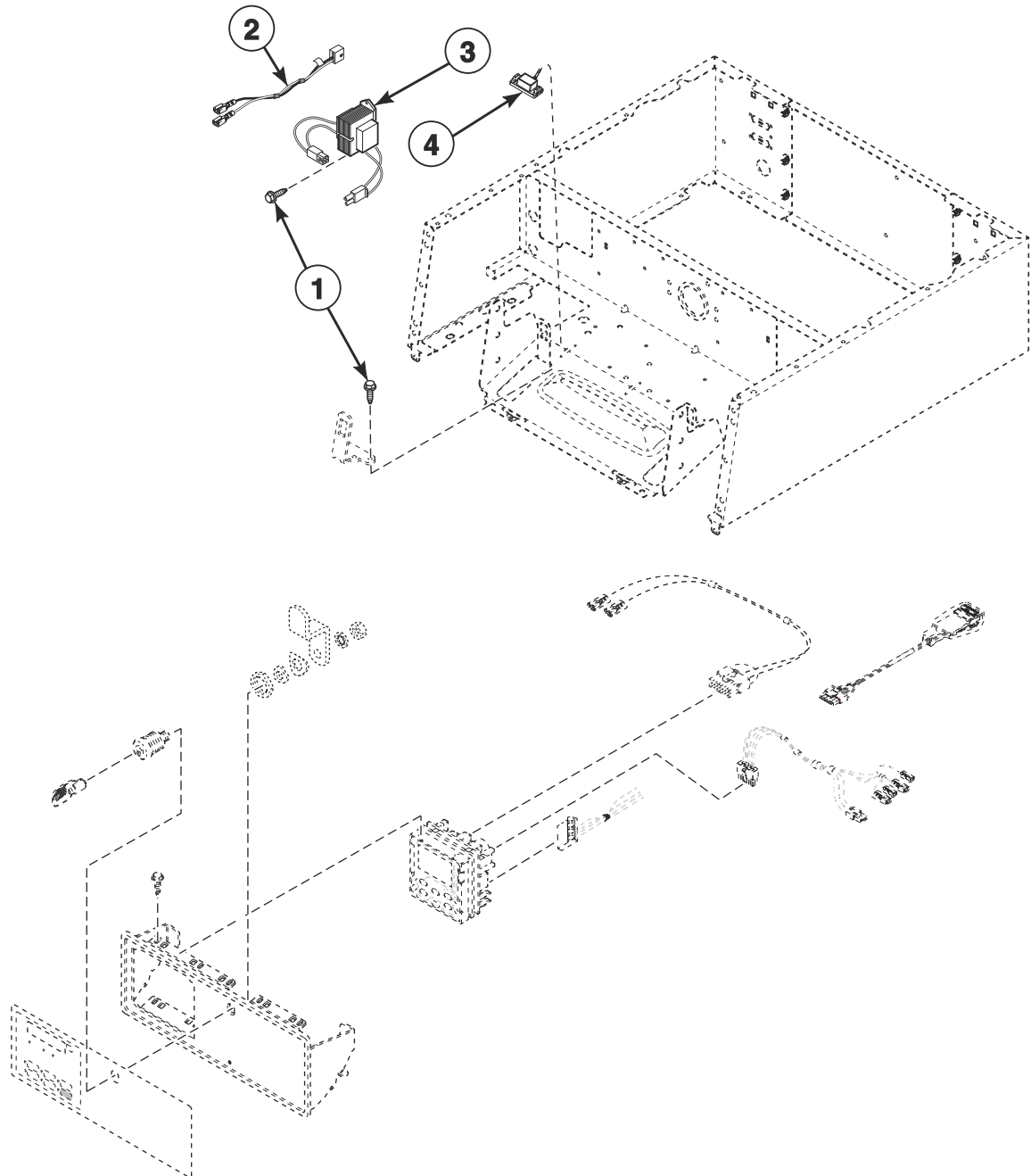
DRY2181P_D518516

Cabinet Top - Rear Control Models

REF	PART NO.	DESCRIPTION	COMMENTS
1	D503688	Screw	
2	D510146	Bracket	
3	D511530WP	Top Panel Kit	White;
	D511527WP	Top Kit	White; All other models
4	27222	Nut	
5	D505281	Disconnect Power Warning Label	English
	F8614201	Shock Warning Label	Icon
	D500316	Warning Label	English/French
6	D503688	Screw	

Control Panel and Controls - 10 Degree Front Control Models (Drawing 1 of 4)

Models BD3NXAGS403UW01, HDENEAGS173CW01, HDENEAGS176CW01, HDENXAGS173CW01, HDENXAGS176CW01, HDENXAGS176CWSS, HDENXAGS543DW01, HDENYAGS173CW01, HDENYAGS176CW01, HDENYAGS176CWSS, HDGNXAGS113CW01, HDGNXAGS116CW01, HDGNXAGS116CWSS, HDGNXAGS123DW01, HDGNXAGS543DW01, HDGNYAGS113CW01, HDGNYAGS116CW01, JDEJGAGW303EW01, JDEJRAGS303EW01, JDEJRAGW303EW01, JDEJXAGW303EW01, JDEVGAGS303EW01, JDEVXAGS303EW01, JDEVRAGS303EW01, JDGJGAGS303EW01, JDGJGAGW303EW01, JDGJRAGS303EW01, JDGJRAGW303EW01, JDGJXAGW303EW01, JDGVGAGS303EW01, ND3NXAGS403UG01, ND3NXAGS403UN01, ND3NXASS403UN01, NDENXAGS173MW01, NDENXAGS303UG01, NDENXAGS303UW01, NDGNLBGS303UG01, NDGNXAGS113MW01, NDGNXAGS303EW01, NDGNXAGS303ZW38, PD3JXAGS403UG01, PDGJXAGS303UG01, SD3NXAGS403UG01, SD3NXAGS403UN01, SDEJXAGS553UG16, SDENXAGS303UG01, SDENXAGS543DW01, SDENXAGS543RW01, SDERXAGS303UG01, SDERXAGS433AW01, SDERXAGS543DW01, SDEWXAGS433LW01, SDGNXAGS123DW01, SDGNXAGS303AW01, SDGNXAGS303BW01, SDGNXAGS303EG01, SDGNXAGS303UG01, SDGNXAGS543DW01, SDGRXAGS543DW01 and SDGWXAGS303BW01



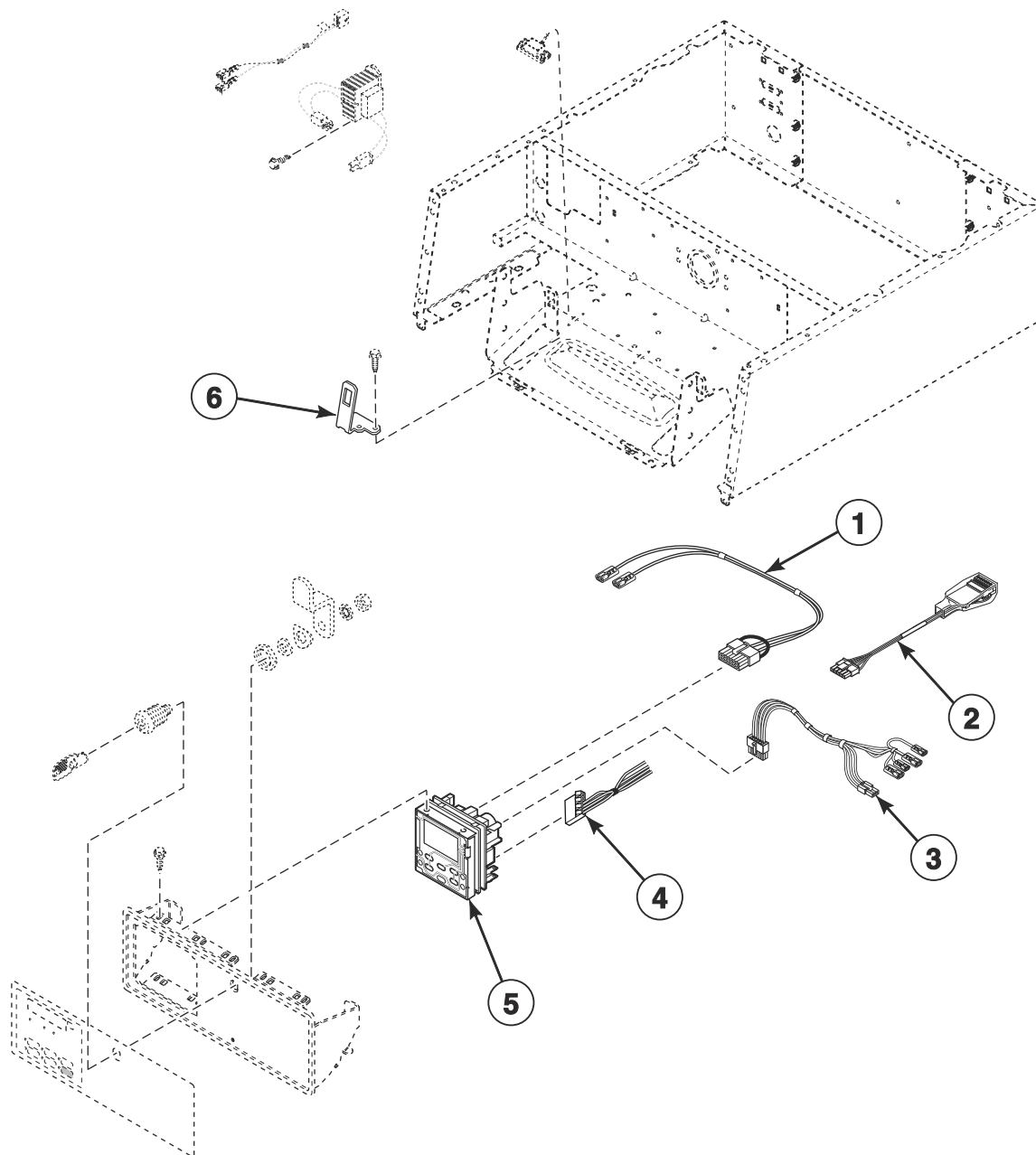
DRY2605P_D518516

Control Panel and Controls - 10 Degree Front Control Models (Drawing 1 of 4)

REF	PART NO.	DESCRIPTION	COMMENTS
	203346	USB IR Interface Kit	
	204689	Wireless Network Kit	
	203328	Network Retrofit Kit	Wired
	NK220	Network Controller Kit	Wired
	NK320	Ethernet Gateway Kit	Wireless
	NK330	USB Gateway Kit	Wireless
1	D503661	Screw	
2	805428	Transformer Harness	Models JDGJRAGS303EW01 and JDGJRAGW303EW01
	D514069	Transformer Harness	Models JDEJRAGS303EW01, JDEJRAGW303EW01, JDEJXAGW303EW01, JDEVGAGS303EW01, JDEVRAGS303EW01, JDGJRAGS303EW01, JDGJRAGW303EW01, SDERXAGS303UG01, SDERXAGS433AW01 and SDERXAGS543DW01
	D514072	Transformer Harness	Models HDENXAGS173CW01, HDENXAGS176CW01, HDENXAGS176CWSS, HDENYAGS173CW01, HDENYAGS176CW01 and HDENYAGS176CWSS
	D518312	Transformer Harness	Models JDGVGAGS303EW01 and SDGRXAGS543DW01
	804795	Transformer Harness	Models HDGNXAGS113CW01, HDGNXAGS116CW01, HDGNYAGS113CW01 and HDGNYAGS116CW01
3	202757	Transformer	Models HDENXAGS173CW01, HDENXAGS176CW01, HDENXAGS176CWSS, HDENYAGS173CW01, HDENYAGS176CW01, HDENYAGS176CWSS, HDGNXAGS113CW01, HDGNXAGS116CW01, HDGNXAGS116CWSS, HDGNYAGS113CW01, HDGNYAGS116CW01, NDENXAGS173MW01 and NDGNXAGS113MW01
	202758	Transformer	Models JDEJRAGS303EW01, JDEJRAGW303EW01, JDEJXAGW303EW01, JDEVGAGS303EW01, JDEVRAGS303EW01, JDGJGAGS303EW01, JDGJRAGW303EW01, JDGJXAGW303EW01 and JDGVGAGS303EW01
4	D518898	Power Supply Assembly	Models HDENXAGS176CWSS, HDENYAGS176CWSS and HDGNXAGS116CWSS
	D519054	Power Supply Assembly	Models JDEVGAGS303EW01, JDEVRAGS303EW01, JDGVGAGS303EW01, SDERXAGS303UG01, SDERXAGS433AW01, SDERXAGS543DW01 and SDGRXAGS543DW01

Control Panel and Controls - 10 Degree Front Control Models (Drawing 2 of 4)

Models BD3NXAGS403UW01, HDENEAGS173CW01, HDENEAGS176CW01, HDENXAGS173CW01, HDENXAGS176CW01, HDENXAGS176CWSS, HDENXAGS543DW01, HDENYAGS173CW01, HDENYAGS176CW01, HDENYAGS176CWSS, HDGNXAGS113CW01, HDGNXAGS116CW01, HDGNXAGS116CWSS, HDGNXAGS123DW01, HDGNXAGS543DW01, HDGNYAGS113CW01, HDGNYAGS116CW01, JDEJGAGW303EW01, JDEJRAGS303EW01, JDEJRAGW303EW01, JDEJXAGW303EW01, JDEVGAGS303EW01, JDEVVAGS303EW01, JDEVRAGS303EW01, JDGJGAGS303EW01, JDGJGAGW303EW01, JDGJRAGS303EW01, JDGJRAGW303EW01, JDGJXAGW303EW01, JDGVGAGS303EW01, ND3NXAGS403UG01, ND3NXAGS403UN01, ND3NXASS403UN01, NDENXAGS173MW01, NDENXAGS303UG01, NDENXAGS303UW01, NDGNLBGS303UG01, NDGNXAGS113MW01, NDGNXAGS303EW01, NDGNXAGS303ZW38, PD3JXAGS403UG01, PDGJXAGS303UG01, SD3NXAGS403UG01, SD3NXAGS403UN01, SDEJXAGS553UG16, SDENXAGS303UG01, SDENXAGS543DW01, SDENXAGS543RW01, SDERXAGS303UG01, SDERXAGS433AW01, SDERXAGS543DW01, SDEWXAGS433LW01, SDGNXAGS123DW01, SDGNXAGS303AW01, SDGNXAGS303BW01, SDGNXAGS303EG01, SDGNXAGS303UG01, SDGNXAGS543DW01, SDGRXAGS543DW01 and SDGWXAGS303BW01



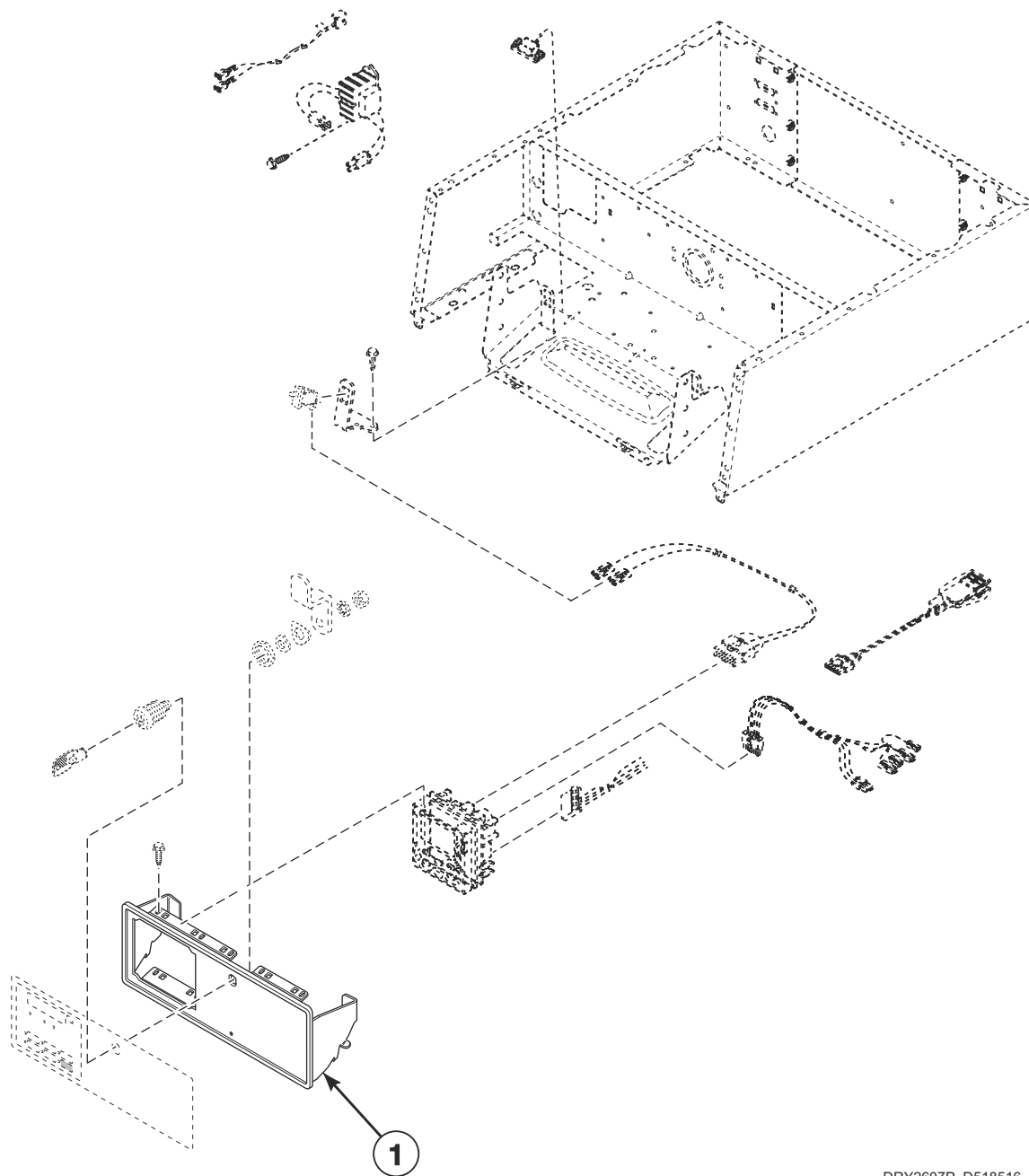
DRY2606P_D518516

Control Panel and Controls - 10 Degree Front Control Models (Drawing 2 of 4)

REF	PART NO.	DESCRIPTION	COMMENTS
1	202868	Wiring Harness Assembly	Models HDENYAGS173CW01, HDGNYAGS113CW01, JDEJGAGW303EW01, JDEJRAGS303EW01, JDEJRAGW303EW01, JDEVGAGS303EW01, JDEVRAGS303EW01, JDGJGAGS303EW01, JDGJGAGW303EW01, JDGJRAGS303EW01, JDGJRAGW303EW01 and JDGVGAGS303EW01
	204916	Wiring Harness Assembly	Diagnostic; Models HDENYAGS176CW01, HDENYAGS176CWSS and HDGNYAGS116CW01
2	203361P	Machine ID Control Assembly	Model or serial number is required when ordering
3	202871	Dual Coin Harness Assembly	Coin drop; All models except HDENXAGS176CWSS, HDENYAGS173CW01, HDGNXAGS116CWSS, HDGNYAGS113CW01, JDEJGAGW303EW01, JDEVGAGS303EW01, JDEVRAGS303EW01, JDGJGAGS303EW01, JDGJGAGW303EW01, JDGVGAGS303EW01 and SDERXAGS433AW01
	204915	Dual Coin Harness Assembly	Models HDENEAGS176CW01, HDENXAGS176CW01 and HDGNXAGS116CW01
4	D511478	Central Pay Harness	
5	D517523	Control Assembly	Models BD3NXAGS403UW01 and SD3NXAGS403UN01
	D517524	Control Assembly	Models PD3JXAGS403UG01 and PDGJXAGS303UG01
	D518647	Control Assembly	Models HDENEAGS176CW01, HDENXAGS176CW01, HDENXAGS176CWSS, HDENYAGS176CW01, HDENYAGS176CWSS, HDGNXAGS116CW01, HDGNXAGS116CWSS and HDGNYAGS116CW01
	D517522	Control Assembly	All other models
6	800379	Audit Switch Bracket	

Control Panel and Controls - 10 Degree Front Control Models (Drawing 3 of 4)

Models BD3NXAGS403UW01, HDENEAGS173CW01, HDENEAGS176CW01, HDENXAGS173CW01, HDENXAGS176CW01, HDENXAGS176CWSS, HDENXAGS543DW01, HDENYAGS173CW01, HDENYAGS176CW01, HDENYAGS176CWSS, HDGNXAGS113CW01, HDGNXAGS116CW01, HDGNXAGS116CWSS, HDGNXAGS123DW01, HDGNXAGS543DW01, HDGNYAGS113CW01, HDGNYAGS116CW01, JDEJGAGW303EW01, JDEJRAGS303EW01, JDEJRAGW303EW01, JDEJXAGW303EW01, JDEVGAGS303EW01, JDEVVAGS303EW01, JDEVRAGS303EW01, JDGJGAGS303EW01, JDGJGAGW303EW01, JDGJRAGS303EW01, JDGJRAGW303EW01, JDGJXAGW303EW01, JDGVGAGS303EW01, ND3NXAGS403UG01, ND3NXAGS403UN01, ND3NXASS403UN01, NDENXAGS173MW01, NDENXAGS303UG01, NDENXAGS303UW01, NDGNLBGS303UG01, NDGNXAGS113MW01, NDGNXAGS303EW01, NDGNXAGS303ZW38, PD3JXAGS403UG01, PDGJXAGS303UG01, SD3NXAGS403UG01, SD3NXAGS403UN01, SDEJXAGS553UG16, SDENXAGS303UG01, SDENXAGS543DW01, SDENXAGS543RW01, SDERXAGS303UG01, SDERXAGS433AW01, SDERXAGS543DW01, SDEWXAGS433LW01, SDGNXAGS123DW01, SDGNXAGS303AW01, SDGNXAGS303BW01, SDGNXAGS303EG01, SDGNXAGS303UG01, SDGNXAGS543DW01, SDGRXAGS543DW01 and SDGWXAGS303BW01



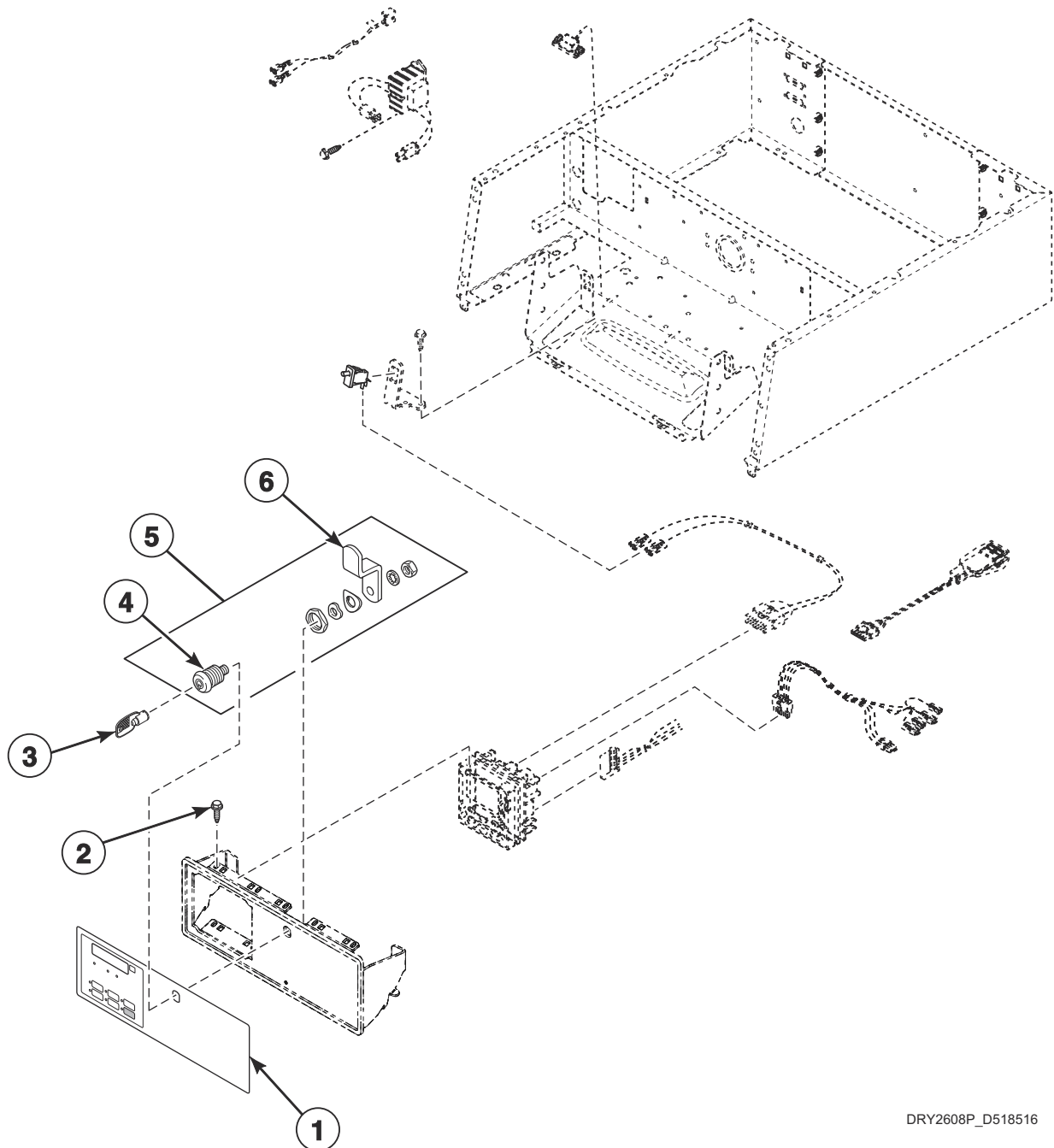
DRY2607P_D518516

Control Panel and Controls - 10 Degree Front Control Models (Drawing 3 of 4)

REF	PART NO.	DESCRIPTION	COMMENTS
	203346	USB IR Interface Kit	
	204689	Wireless Network Kit	
	203328	Network Retrofit Kit	Wired
	NK220	Network Controller Kit	Wired
	NK320	Ethernet Gateway Kit	Wireless
	NK330	USB Gateway Kit	Wireless
1	D513777B	Control Panel and Bracket Assembly	Black; Models JDEJGAGW303EW01, JDEJRAGS303EW01, JDEJRAGW303EW01, JDEJXAGW303EW01, JDEVGAGS303EW01, JDEVRAGS303EW01, JDGJGAGS303EW01, JDGJGAGW303EW01, JDGJRAGS303EW01, JDGJRAGW303EW01, JDGJXAGW303EW01, JDGVGAGS303EW01, ND3NXAGS403UN01, ND3NXASS403UN01 and SD3NXAGS403UN01
	D513777DG	Control Panel and Bracket Assembly	Dark gray; Models ND3NXAGS403UG01, NDENXAGS303UG01, NDGNLBGS303UG01, PD3JXAGS403UG01, PDGJXAGS303UG01, SD3NXAGS403UG01, SDEJXAGS553UG16, SDENXAGS303UG01, SDERXAGS303UG01, SDGNXAGS303EG01 and SDGNXAGS303UG01
	807641W	Control Panel and Bracket Assembly	White; Models HDENEAGS176CW01, HDENXAGS176CW01, HDENXAGS176CWSS, HDENYAGS176CW01, HDENYAGS176CWSS, HDGNXAGS116CW01, HDGNXAGS116CWSS and HDGNYAGS116CW01
	D513777W	Control Panel and Bracket Assembly	White; All other models

Control Panel and Controls - 10 Degree Front Control Models (Drawing 4 of 4)

Models BD3NXAGS403UW01, HDENEAGS173CW01, HDENEAGS176CW01, HDENXAGS173CW01, HDENXAGS176CW01, HDENXAGS176CWSS, HDENXAGS543DW01, HDENYAGS173CW01, HDENYAGS176CW01, HDENYAGS176CWSS, HDGNXAGS113CW01, HDGNXAGS116CW01, HDGNXAGS116CWSS, HDGNXAGS123DW01, HDGNXAGS543DW01, HDGNYAGS113CW01, HDGNYAGS116CW01, JDEJGAGW303EW01, JDEJRAGS303EW01, JDEJRAGW303EW01, JDEJXAGW303EW01, JDEVGAGS303EW01, JDEVVAGS303EW01, JDEVRAGS303EW01, JDGJGAGS303EW01, JDGJGAGW303EW01, JDGJRAGS303EW01, JDGJRAGW303EW01, JDGJXAGW303EW01, JDGVGAGS303EW01, ND3NXAGS403UG01, ND3NXAGS403UN01, ND3NXASS403UN01, NDENXAGS173MW01, NDENXAGS303UG01, NDENXAGS303UW01, NDGNLBGS303UG01, NDGNXAGS113MW01, NDGNXAGS303EW01, NDGNXAGS303ZW38, PD3JXAGS403UG01, PDGJXAGS303UG01, SD3NXAGS403UG01, SD3NXAGS403UN01, SDEJXAGS553UG16, SDENXAGS303UG01, SDENXAGS543DW01, SDENXAGS543RW01, SDERXAGS303UG01, SDERXAGS433AW01, SDERXAGS543DW01, SDEWXAGS433LW01, SDGNXAGS123DW01, SDGNXAGS303AW01, SDGNXAGS303BW01, SDGNXAGS303EG01, SDGNXAGS303UG01, SDGNXAGS543DW01, SDGRXAGS543DW01 and SDGWXAGS303BW01



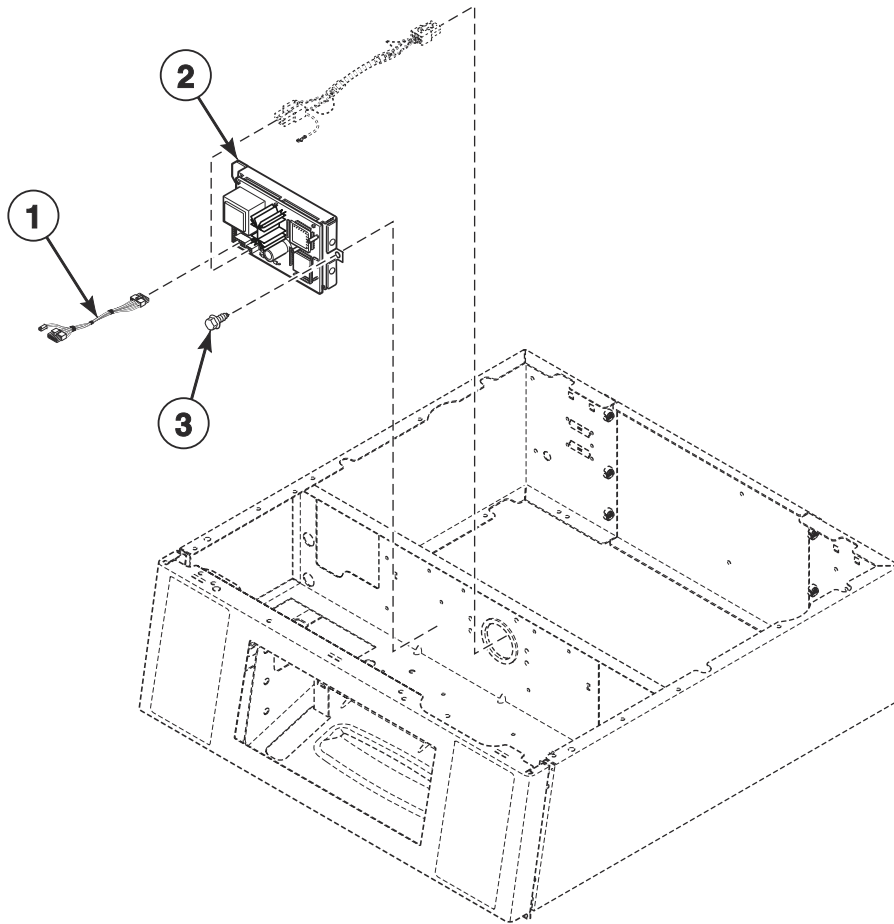
DRY2608P_D518516

Control Panel and Controls - 10 Degree Front Control Models (Drawing 4 of 4)

REF	PART NO.	DESCRIPTION	COMMENTS
1	D514373	Control Overlay	Model BD3NXAGS403UW01
	D514657	Control Overlay	Models ND3NXASS403UN01, NDENXAGS303UW01 and NDGNXAGS303EW01
	D518405	Control Overlay	Models ND3NXAGS403UG01, NDENXAGS303UG01 and NDGNLBGS303UG01
	D514369	Control Overlay	Models SDENXAGS543DW01, SDENXAGS543RW01, SDERXAGS433AW01, SDERXAGS543DW01, SDEWXAGS433LW01, SDGNXAGS123DW01, SDGNXAGS303AW01, SDGNXAGS543DW01 and SDGRXAGS543DW01
	D514479	Control Overlay	Models HDGNXAGS123DW01 and HDGNXAGS543DW01
	D518645	Control Overlay	Models JDEJRAGS303EW01, JDEJRAGW303EW01, JDEJXAGW303EW01, JDEV RAGS303EW01, JDGJRAGS303EW01, JDGJRAGW303EW01 and JDGJXAGW303EW01
	D514926	Control Overlay	Models PD3JXAGS403UG01 and PDGJXAGS303UG01
	D518646	Control Overlay	Models JDEJGAGW303EW01, JDEVGAGS303EW01, JDGJGAGS303EW01, JDGJGAGW303EW01 and JDGVGAGS303EW01
	D517425	Control Overlay	Models NDENXAGS173MW01, NDGNXAGS113MW01 and NDGNXAGS303ZW38
	D514370	Control Overlay	Models HDENEAGS173CW01, HDENXAGS173CW01, HDENXAGS543DW01, HDENYAGS173CW01, HDGNXAGS113CW01 and HDGNYAGS113CW01
	D518405	Control Overlay	Models ND3NXAGS403UN01 and NDENXAGS303UG01
	D518404	Control Overlay	Model NDGNLBGS303UG01
	D514480	Control Overlay	Models SD3NXAGS403UG01, SD3NXAGS403UN01, SDEJXAGS553UG16, SDENXAGS303UG01, SDERXAGS303UG01, SDGNXAGS303BW01, SDGNXAGS303EG01, SDGNXAGS303UG01 and SDGWXAGS303BW01
	D518079	Control Overlay	Models HDENEAGS176CW01, HDENXAGS176CW01, HDENXAGS176CWSS, HDENYAGS176CW01, HDENYAGS176CWSS, HDGNXAGS116CW01, HDGNXAGS116CWSS and HDGNYAGS116CW01
	2	D501524	Screw
3	54612	Key	800
4	807761	Lock Assembly	Models HDENEAGS176CW01, HDENXAGS176CW01, HDENYAGS176CW01, HDGNXAGS116CW01 and HDGNYAGS116CW01
5	27260P	Lock Kit	Includes item 4
6	807760	Lock Cam	Models HDENEAGS176CW01, HDENXAGS176CW01, HDENYAGS176CW01, HDGNXAGS116CW01 and HDGNYAGS116CW01
	804338	Lock Cam	All other models

Network Board Assembly

Models HDENXAGS176CW01, HDENXAGS176CWSS, HDENYAGS176CW01, HDENYAGS176CWSS, HDGNXAGS116CW01, HDGNXAGS116CWSS, HDGNYAGS116CW01, SDEWXAGS433LW01 and SDGWXAGS303BW01



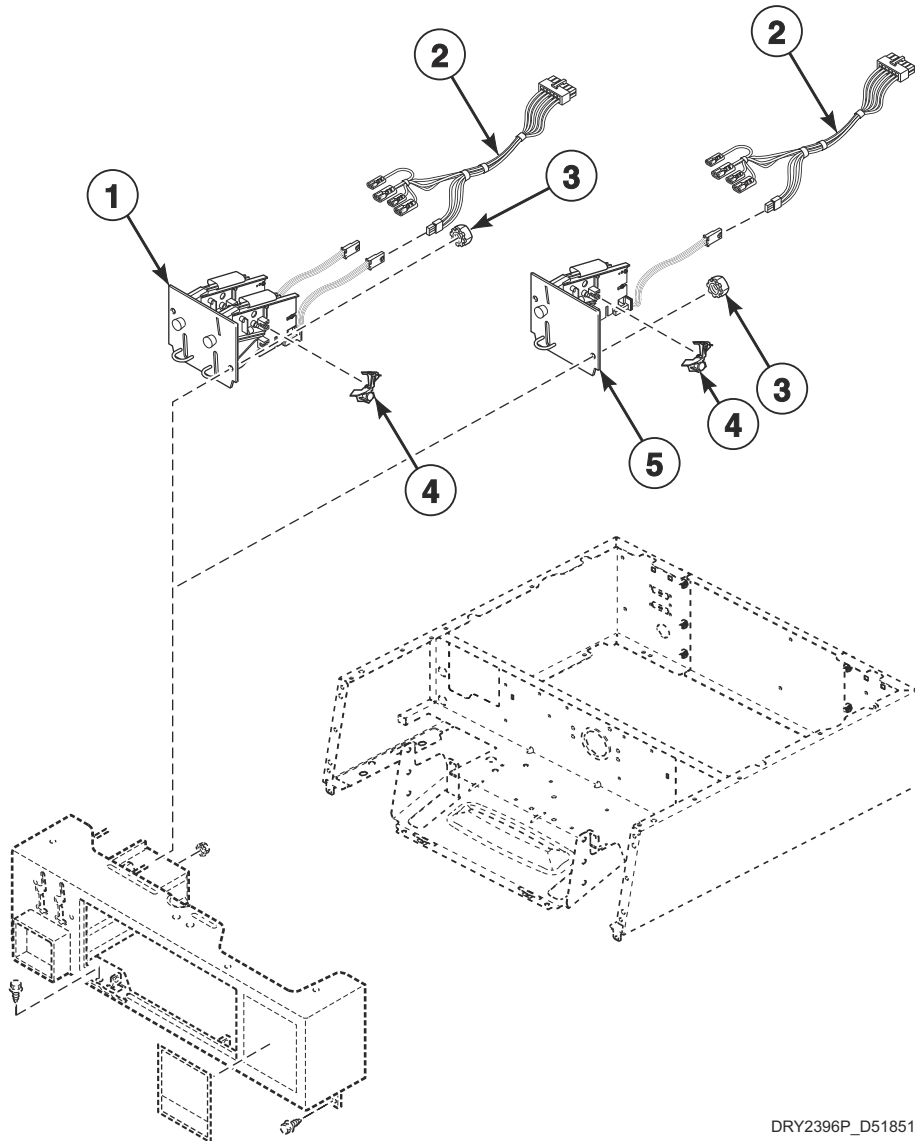
SWD1288P_D518516

Network Board Assembly

REF	PART NO.	DESCRIPTION	COMMENTS
1	F8674006	Wireless Network Harness	Models SDEWXAGS433LW01 and SDGWXAGS303BW01
	F8713906	Serial Pay Harness	All other models
2	807211	Wireless Network Control Assembly	Models SDEWXAGS433LW01 and SDGWXAGS303BW01
	807714	Serial Pay Control Assembly	All other models
3	D503661	Screw	

Non-Electronic Coin Drop - Front Control Models

Models BD3NXAGS403UW01, HDENEAGS173CW01, HDENEAGS176CW01, HDENXAGS173CW01, HDENXAGS176CW01, HDENXAGS176CWSS, HDENXAGS543DW01, HDGNXAGS113CW01, HDGNXAGS116CW01, HDGNXAGS116CWSS, HDGNXAGS123DW01, HDGNXAGS543DW01, JDEJRAGS303EW01, JDEJRAGW303EW01, JDEJXAGW303EW01, JDGJRAGS303EW01, JDGJRAGW303EW01, JDGJXAGW303EW01, ND3NXAGS403UG01, ND3NXAGS403UN01, ND3NXASS403UN01, NDENXAGS173MW01, NDENXAGS303UG01, NDENXAGS303UW01, NDGNXAGS113MW01, NDGNXAGS303EW01, NDGNXAGS303UG01, NDGNXAGS303ZW38, PD3JXAGS403UG01, PDGJXAGS303UG01, SD3NXAGS403UG01, SD3NXAGS403UN01, SDEJXAGS553UG16, SDENXAGS303UG01, SDENXAGS543DW01, SDENXAGS543RW01, SDERXAGS303UG01, SDERXAGS433AW01, SDEWXAGS433LW01, SDGNXAGS123DW01, SDGNXAGS303AW01, SDGNXAGS303BW01, SDGNXAGS303EG01, SDGNXAGS303UG01, SDGNXAGS543DW01, SDGRXAGS543DW01 and SDGWXAGS303BW01



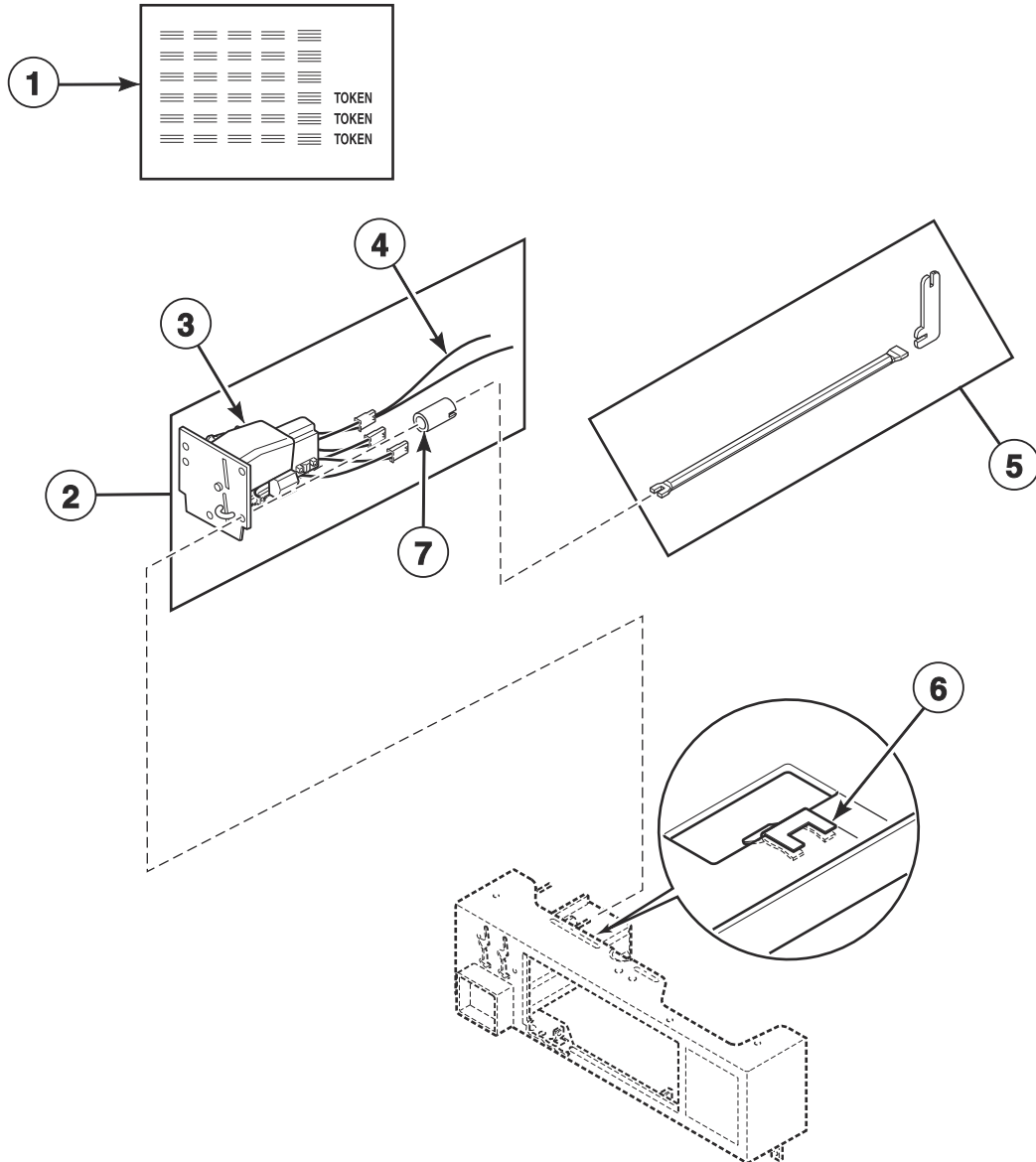
DRY2396P_D518516

Non-Electronic Coin Drop - Front Control Models

REF	PART NO.	DESCRIPTION	COMMENTS
1	70441602	Coin Drop Assembly	Canada; .25 and 1.00
	38467	Coin Drop Assembly	Australia; .20 and 1.00
	38472	Coin Drop Assembly	England; 20 pence and 1 pound
	38519	Coin Drop Assembly	Japan; 100 and 500 yen
	38521	Coin Drop Assembly	Korea; 100 and 500 won
	70482401	Coin Drop Assembly	New Zealand; 1.00 and 2.00
	39157	Coin Drop Assembly	Israel; 1 and 5 shekel
2	802905	Harness Assembly	Coin drop
3	29786	Nut	
4	201595P	Wire Guard	Anti-stringing security device
5	38462P	Coin Drop Assembly	Token; 118-1 mzp; .880 diameter x .079 thick; Brass
	38463	Coin Drop Assembly	Token; 118-5 mzp; .990 diameter x .081 thick; Silver
	38464P	Coin Drop Assembly	Canada; .25
	38475	Coin Drop Assembly	Japan; 100 yen
	CK077	Coin Drop Kit	Taiwan; 10 NT
	70441601P	Coin Drop	U.S.; \$.25
	38963P	Coin Drop	Token 118-16 not available; Replacement for 38963P Coin Drop only
	CK114	Coin Drop Assembly	Singapore; Old 1.00
	CK123	Coin Drop Kit	Singapore; New 1.00

Electronic Coin Drop - Front Control Models

Models BD3NXAGS403UW01, HDENEAGS173CW01, HDENEAGS176CW01, HDENXAGS173CW01, HDENXAGS176CW01, HDENXAGS176CWSS, HDENXAGS543DW01, HDGNXAGS113CW01, HDGNXAGS116CW01, HDGNXAGS116CWSS, HDGNXAGS123DW01, HDGNXAGS543DW01, ND3NXAGS403UG01, ND3NXAGS403UN01, ND3NXASS403UN01, NDENXAGS173MW01, NDENXAGS303UG01, NDENXAGS303UW01, NDGNXAGS113MW01, NDGNXAGS303EW01, NDGNXAGS303UG01, NDGNXAGS303ZW38, PD3JXAGS403UG01, PDGJXAGS303UG01, SD3NXAGS403UG01, SD3NXAGS403UN01, SDEJXAGS553UG16, SDENXAGS303UG01, SDENXAGS543DW01, SDENXAGS543RW01, SDERXAGS303UG01, SDERXAGS433AW01, SDERXAGS543DW01, SDEWXAGS433LW01, SDGNXAGS123DW01, SDGNXAGS303AW01, SDGNXAGS303BW01, SDGNXAGS303EG01, SDGNXAGS303UG01, SDGNXAGS543DW01, SDGRXAGS543DW01 and SDGWXAGS303BW01



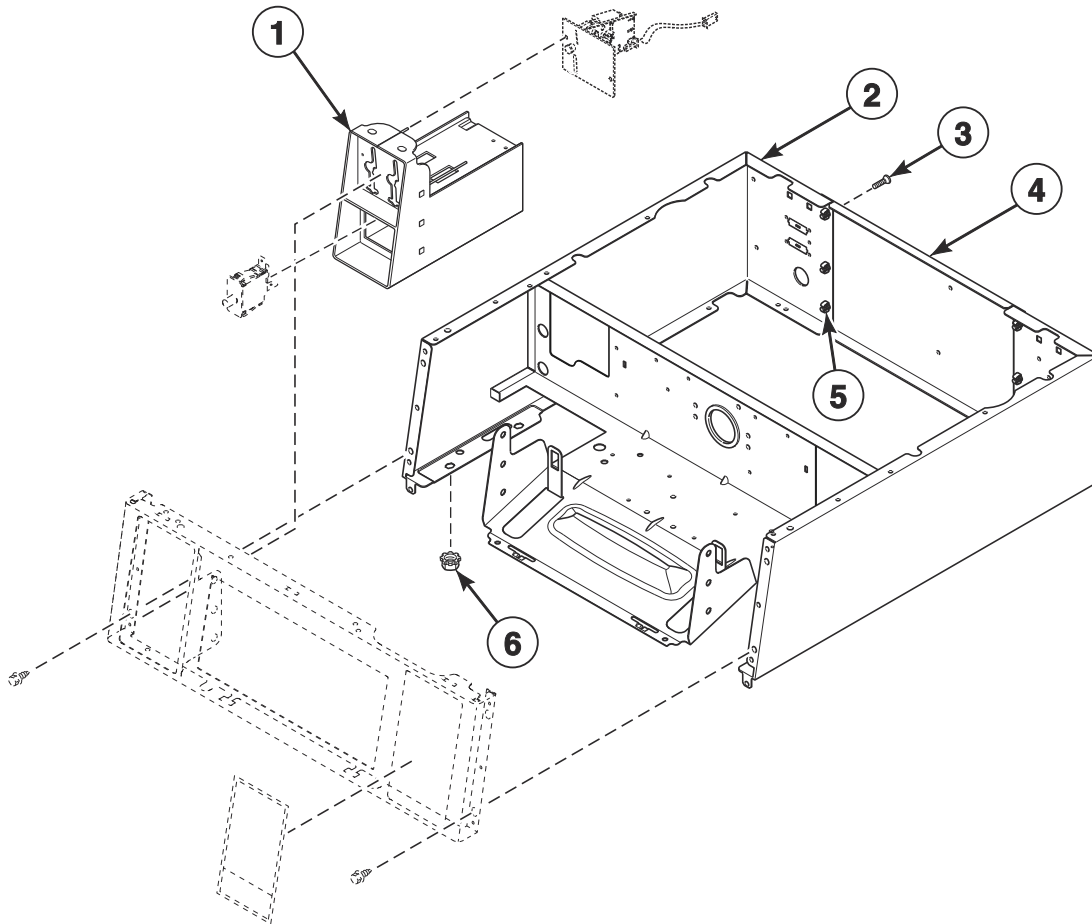
DRY2183P_D518516

Electronic Coin Drop - Front Control Models

REF	PART NO.	DESCRIPTION	COMMENTS
1	38725	Coin Identification Paper	For use with items 2 and 3
2	CK115	Electronic Coin Drop Kit	Includes items 3, 4 and 7; United States and Canada coins
	CK099	Electronic Coin Drop Kit	Includes items 3, 4 and 7; Australia, New Zealand, Hong Kong and South Korea coins
	CK100	Electronic Coin Drop Kit	Includes items 3, 4 and 7; Euro and Great Britain coins
	CK101	Electronic Coin Drop Kit	Includes items 3, 4 and 7; Euro, Denmark and Norway coins
	CK103	Electronic Coin Drop Kit	Includes items 3, 4 and 7; Euro, Lithuania and Latvia coins
	CK106	Electronic Coin Drop Kit	Includes items 3, 4 and 7; Malaysia, Russia, China and Singapore coins
	CK108	Electronic Coin Drop Kit	Includes items 3, 4 and 7; South Africa coins
	CK109	Electronic Coin Drop Kit	Includes items 3, 4 and 7; Euro coins
	CK110	Electronic Coin Drop Kit	Includes items 3, 4 and 7; Mexico, Ecuador and United States coins
	CK113	Electronic Coin Drop Kit	Includes items 3, 4 and 7; Japan and Taiwan coins
	CK116	Electronic Coin Drop Kit	Includes items 3, 4 and 7; Malaysia and China coins
	CK117	Electronic Coin Drop Kit	Includes items 3, 4 and 7; Russia coins
	CK118	Electronic Coin Drop Kit	Includes items 3, 4 and 7; Philippine coins
	CK120	Electronic Coin Drop Kit	Includes items 3, 4 and 7; Chile coins
	CK121	Electronic Coin Drop Kit	Includes items 3, 4 and 7; Singapore coins
3	70294103P	Electronic Coin Drop Assembly	Euro and Great Britain coins
	70294104	Electronic Coin Drop Assembly	Euro, Denmark and Norway coins
	70513306	Electronic Coin Drop Assembly	Mexico, Ecuador and United States coins
	70294107	Electronic Coin Drop Assembly	Euro, Lithuania and Latvia coins
	70294109	Electronic Coin Drop Assembly	Malaysia, Russia, China and Singapore coins
	70294110	Electronic Coin Drop Assembly	South Africa coins
	70294111	Electronic Coin Drop Assembly	Euro coins
	70294122	Electronic Coin Drop Assembly	Euro, Great Britain and token
	70513311	Electronic Coin Drop Assembly	Malaysia and China coins
	70294117	Electronic Coin Drop Assembly	Russia coins
	70294120	Electronic Coin Drop Assembly	Chile coins
	70294121	Electronic Coin Drop Assembly	Singapore coins
4	201104	Coin Drop Wire Harness	For use with items 2 and 3
5	CK096	Mounting Tool Kit	For use with items 2 and 3
6	201572	Clip	For use with items 2 and 3
7	29786	Nut	

Control Cabinet Controls - 10 Degree Front Control Models (Drawing 1 of 3)

Models BD3NXAGS403UW01, HDENEAGS173CW01, HDENEAGS176CW01, HDENXAGS173CW01, HDENXAGS176CW01, HDENXAGS176CWSS, HDENXAGS543DW01, HDGNXAGS113CW01, HDGNXAGS116CW01, HDGNXAGS116CWSS, HDGNXAGS123DW01, HDGNXAGS543DW01, JDEJGAGW303EW01, JDEJRAGS303EW01, JDEJRAGW303EW01, JDEJXAGW303EW01, JDEVGAGS303EW01, JDEVGAGS303EW01, JDGJGAGS303EW01, JDGJGAGW303EW01, JDGJRAGS303EW01, JDGJRAGW303EW01, JDGJXAGW303EW01, JDGVGAGS303EW01, ND3NXAGS403UG01, ND3NXAGS403UN01, ND3NXASS403UN01, NDENXAGS173MW01, NDENXAGS303UG01, NDENXAGS303UW01, NDGNXAGS113MW01, NDGNXAGS303EW01, NDGNXAGS303UG01, NDGNXAGS303ZW38, PD3JXAGS403UG01, PDGJXAGS303UG01, SD3NXAGS403UG01, SD3NXAGS403UN01, SDEJXAGS553UG16, SDENXAGS303UG01, SDENXAGS543DW01, SDENXAGS543RW01, SDERXAGS303UG01, SDERXAGS433AW01, SDERXAGS543DW01, SDEWXAGS433LW01, SDGNXAGS123DW01, SDGNXAGS303AW01, SDGNXAGS303BW01, SDGNXAGS303EG01, SDGNXAGS303UG01, SDGNXAGS543DW01, SDGRXAGS543DW01 and SDGWXAGS303BW01



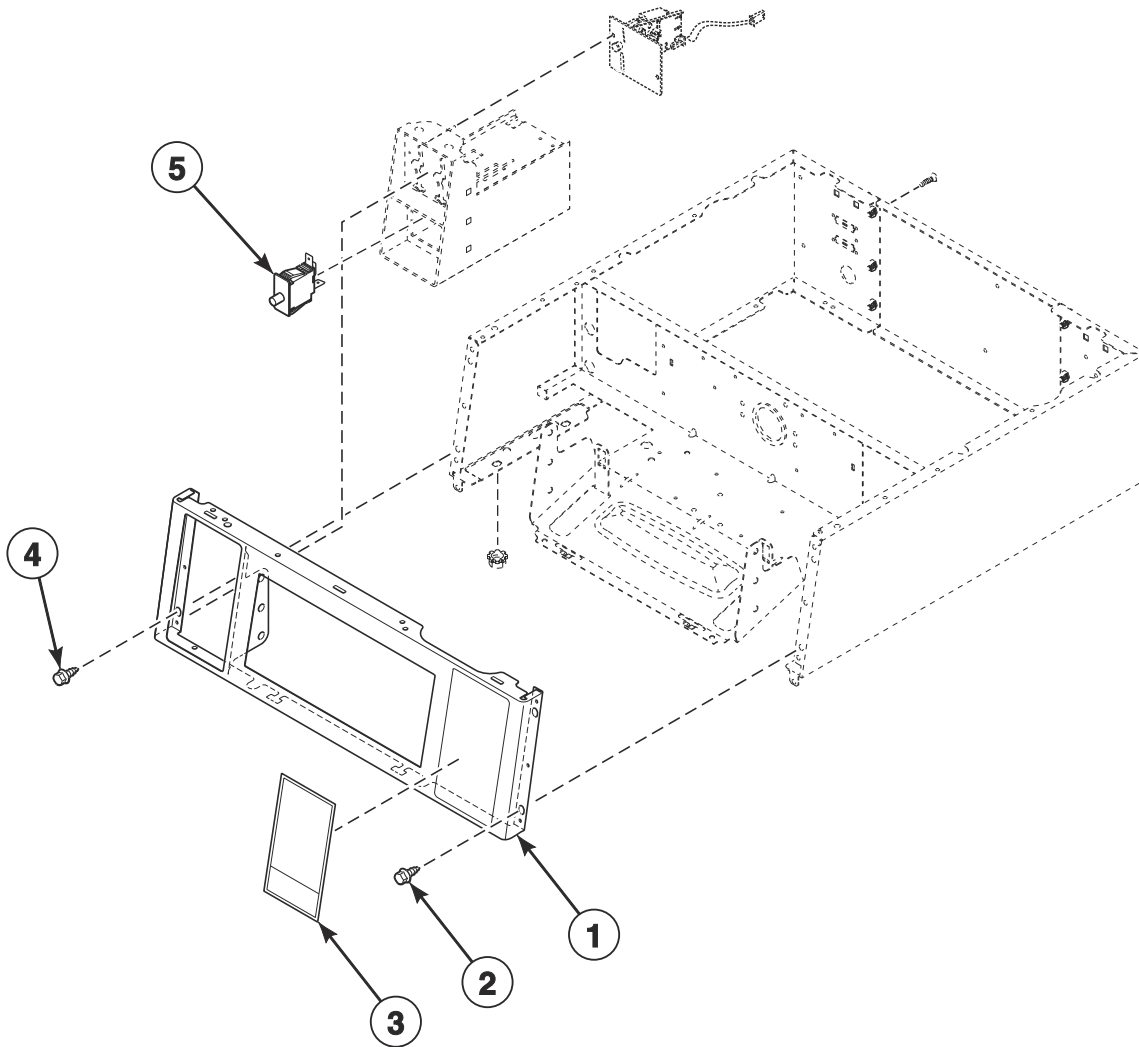
DRY2609P_D518516

Control Cabinet Controls - 10 Degree Front Control Models (Drawing 1 of 3)

REF	PART NO.	DESCRIPTION	COMMENTS
1	807396B	Meter Case Assembly	Black; Requires high capacity coin vault; Models JDEJGAGW303EW01, JDEJRAGS303EW01, JDEJRAGW303EW01, JDEJXAGW303EW01, JDEVGAGS303EW01, JDEVRAGS303EW01, JDGJGAGS303EW01, JDGJGAGW303EW01, JDGJRAGS303EW01, JDGJRAGW303EW01, JDGJXAGW303EW01, ND3NXAGS403UN01 and ND3NXASS403UN01
	807254DG	Meter Case Assembly	Dark gray; Requires high capacity coin vault; Models NDENXAGS303UG01, NDGNXAGS303UG01, PD3JXAGS403UG01, PDGJXAGS303UG01, SDERXAGS303UG01, SDGNXAGS303EG01 and SDGNXAGS303UG01
	807396W	Meter Case Assembly	White; Requires high capacity coin vault; All other models
2	804104B	Wrapper Assembly	Black; Models ND3NXAGS403UN01, ND3NXASS403UN01 and SD3NXAGS403UN01
	804104DG	Wrapper Assembly	Dark gray; Models ND3NXAGS403UG01, NDENXAGS303UG01, NDGNXAGS303UG01, PD3JXAGS403UG01, PDGJXAGS303UG01, SD3NXAGS403UG01, SDEJXAGS553UG16, SDENXAGS303UG01, SDERXAGS303UG01, SDGNXAGS303EG01 and SDGNXAGS303UG01
	804103W	Wrapper Assembly	White; Models JDEJRAGS303EW01, JDEJRAGW303EW01, JDEVGAGS303EW01, JDEVRAGS303EW01, JDGJRAGS303EW01, JDGJRAGW303EW01 and JDGJGAGS303EW01
	804104W	Wrapper Assembly	White; All other models
3	70240301	Screw	6 required
4	807646	Rear Access Panel	
5	70030501	Expansion Clip	6 required
6	44087201	Nut	

Control Cabinet Controls - 10 Degree Front Control Models (Drawing 2 of 3)

Models BD3NXAGS403UW01, HDENEAGS173CW01, HDENEAGS176CW01, HDENXAGS173CW01, HDENXAGS176CW01, HDENXAGS176CWSS, HDENXAGS543DW01, HDGNXAGS113CW01, HDGNXAGS116CW01, HDGNXAGS116CWSS, HDGNXAGS123DW01, HDGNXAGS543DW01, JDEJGAGW303EW01, JDEJRAGS303EW01, JDEJRAGW303EW01, JDEJXAGW303EW01, JDEVGAGS303EW01, JDEVGAGS303EW01, JDGJGAGS303EW01, JDGJGAGW303EW01, JDGJRAGS303EW01, JDGJRAGW303EW01, JDGJXAGW303EW01, JDGVGAGS303EW01, ND3NXAGS403UG01, ND3NXAGS403UN01, ND3NXASS403UN01, NDENXAGS173MW01, NDENXAGS303UG01, NDENXAGS303UW01, NDGNXAGS113MW01, NDGNXAGS303EW01, NDGNXAGS303UG01, NDGNXAGS303ZW38, PD3JXAGS403UG01, PDGJXAGS303UG01, SD3NXAGS403UG01, SD3NXAGS403UN01, SDEJXAGS553UG16, SDENXAGS303UG01, SDENXAGS543DW01, SDENXAGS543RW01, SDERXAGS303UG01, SDERXAGS433AW01, SDERXAGS543DW01, SDEWXAGS433LW01, SDGNXAGS123DW01, SDGNXAGS303AW01, SDGNXAGS303BW01, SDGNXAGS303EG01, SDGNXAGS303UG01, SDGNXAGS543DW01, SDGRXAGS543DW01 and SDGWXAGS303BW01



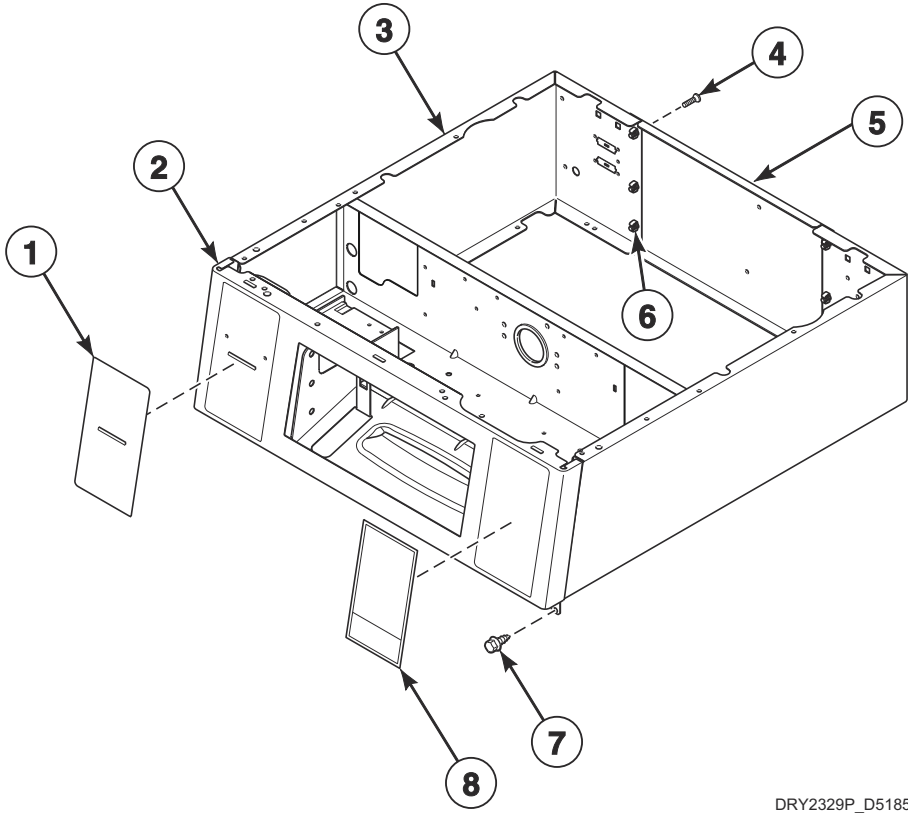
DRY2610P_D518516

Control Cabinet Controls - 10 Degree Front Control Models (Drawing 2 of 3)

REF	PART NO.	DESCRIPTION	COMMENTS
1	803970B	Control Panel	Models JDEJGAGW303EW01, JDGJGAGS303EW01, JDGJGAGW303EW01 and JDGVGAGS303EW01
	803962BP	Control Panel	Black; Models JDEJRAGS303EW01, JDEJRAGW303EW01, JDEJXAGW303EW01, JDEVGAGS303EW01, JDEVRAGS303EW01, JDGJRAGS303EW01, JDGJRAGW303EW01, JDGJXAGW303EW01 and ND3NXASS403UN01
	803962DG	Control Panel	Dark gray; Models JDEVGAGS303EW01, JDEVRAGS303EW01, PD3JXAGS403UG01 and PDGJXAGS303UG01
	806541B	Control Panel	Models ND3NXAGS403UN01 and SD3NXAGS403UN01
	806541DG	Control Panel	Models ND3NXAGS403UG01, NDENXAGS303UG01, NDGNXAGS303UG01, SD3NXAGS403UG01, SDEJXAGS553UG16, SDENXAGS303UG01, SDERXAGS303UG01, SDGNXAGS303EG01 and SDGNXAGS303UG01
	803962WP	Control Panel	White; All other models
	2	M405188	Screw
D503688		Screw	Use with painted side panels
3	808114	Nameplate Overlay	Models JDEJXAGW303EW01, JDGJXAGW303EW01 and JDGVGAGS303EW01
	D514929	Operating Instructions Label	Models PD3JXAGS403UG01 and PDGJXAGS303UG01
	808114	Nameplate Overlay	Models JDEJGAGW303EW01, JDGJGAGS303EW01, JDGJGAGW303EW01 and JDGVGAGS303EW01
	D518411	Instruction Label	Models JDEJRAGS303EW01, JDEJRAGW303EW01, JDEVGAGS303EW01, JDEVRAGS303EW01, JDGJRAGS303EW01 and JDGJRAGW303EW01
	D514393	Operating Instructions Label	All other models; English
	D517764	Operating Instructions Label	All other models; Icon
4	29651	Bolt	
5	70529301	Switch	

Control Cabinet Controls - 10 Degree Front Control Models (Drawing 3 of 3)

Models HDENYAGS173CW01, HDENYAGS176CW01, HDENYAGS176CWSS, HDGNYAGS113CW01 and HDGNYAGS116CW01



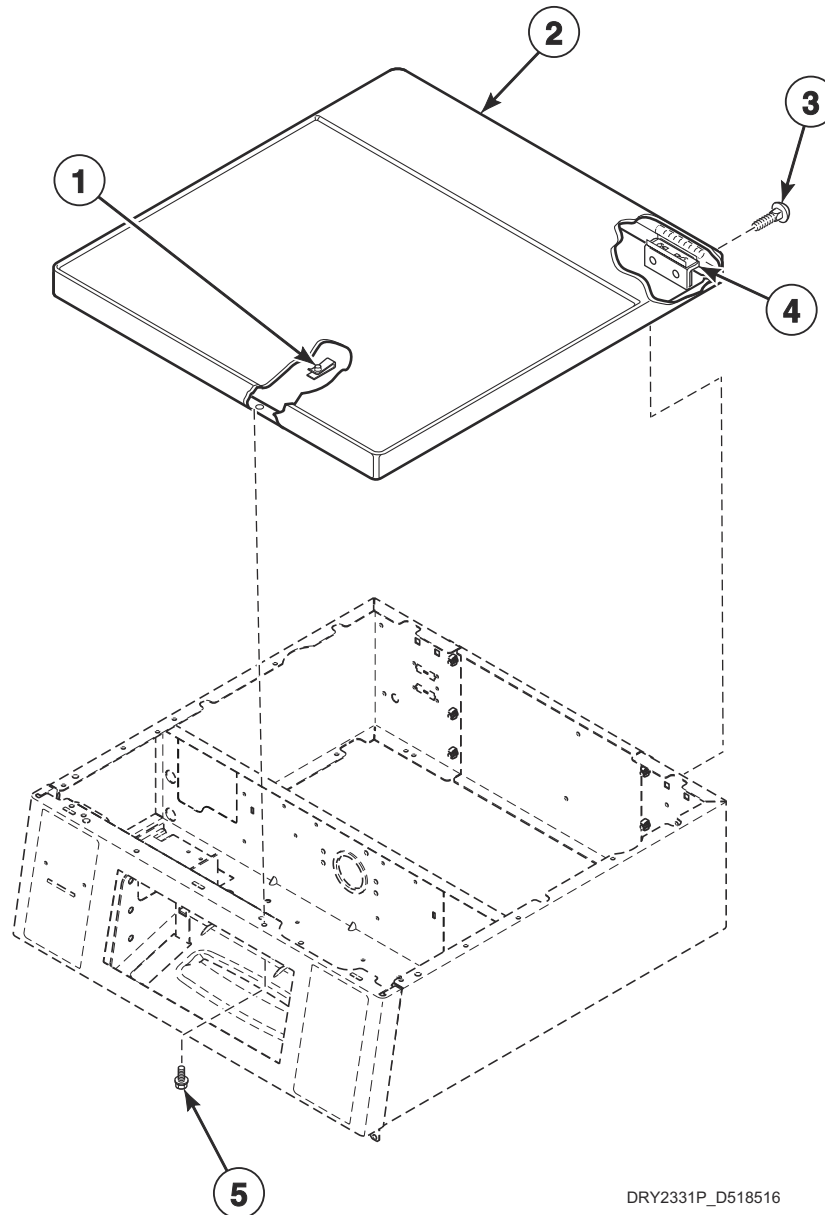
DRY2329P_D518516

Control Cabinet Controls - 10 Degree Front Control Models (Drawing 3 of 3)

REF	PART NO.	DESCRIPTION	COMMENTS
1	D514873	Overlay	Gray
2	804149WP	Security Cabinet Assembly	White
3	804112W	Wrapper Assembly	White
4	70240301	Screw	6 required
5	807646	Rear Access Panel	
6	70030501	Expansion Clip	6 required
7	D503688	Screw	
8	D517764	Operating Instructions Label	

Cabinet Top - 10 Degree Front Control Models

Models BD3NXAGS403UW01, HDENEAGS173CW01, HDENEAGS176CW01, HDENXAGS173CW01, HDENXAGS176CW01, HDENXAGS176CWSS, HDENXAGS543DW01, HDENXRGS176CWSS, HDENYAGS173CW01, HDENYAGS176CW01, HDENYAGS176CWSS, HDGNXAGS113CW01, HDGNXAGS116CW01, HDGNXAGS116CWSS, HDGNXAGS123DW01, HDGNXAGS543DW01, HDGNYAGS113CW01, HDGNYAGS116CW01, JDEJGAGW303EW01, JDEJRAGS303EW01, JDEJRAGW303EW01, JDEJXAGW303EW01, JDEVGAGS303EW01, JDEVRAGS303EW01, JDGJGAGS303EW01, JDGJGAGW303EW01, JDGJRAGS303EW01, JDGJRAGW303EW01, JDGJXAGW303EW01, JDGVGAGS303EW01, ND3NXAGS403UG01, ND3NXAGS403UN01, ND3NXASS403UN01, NDENXAGS173MW01, NDENXAGS303UG01, NDENXAGS303UW01, NDGNXAGS113MW01, NDGNXAGS303EW01, NDGNXAGS303UG01, NDGNXAGS303ZW38, PD3JXAGS403UG01, PDGJXAGS303UG01, SD3NXAGS403UG01, SD3NXAGS403UN01, SDEJXAGS553UG16, SDENXAGS303UG01, SDENXAGS543DW01, SDENXAGS543RW01, SDERXAGS303UG01, SDERXAGS433AW01, SDERXAGS543DW01, SDEWXAGS433LW01, SDGNXAGS123DW01, SDGNXAGS303AW01, SDGNXAGS303BW01, SDGNXAGS303EG01, SDGNXAGS303UG01, SDGNXAGS543DW01, SDGRXAGS543DW01 and SDGWXAGS303BW01



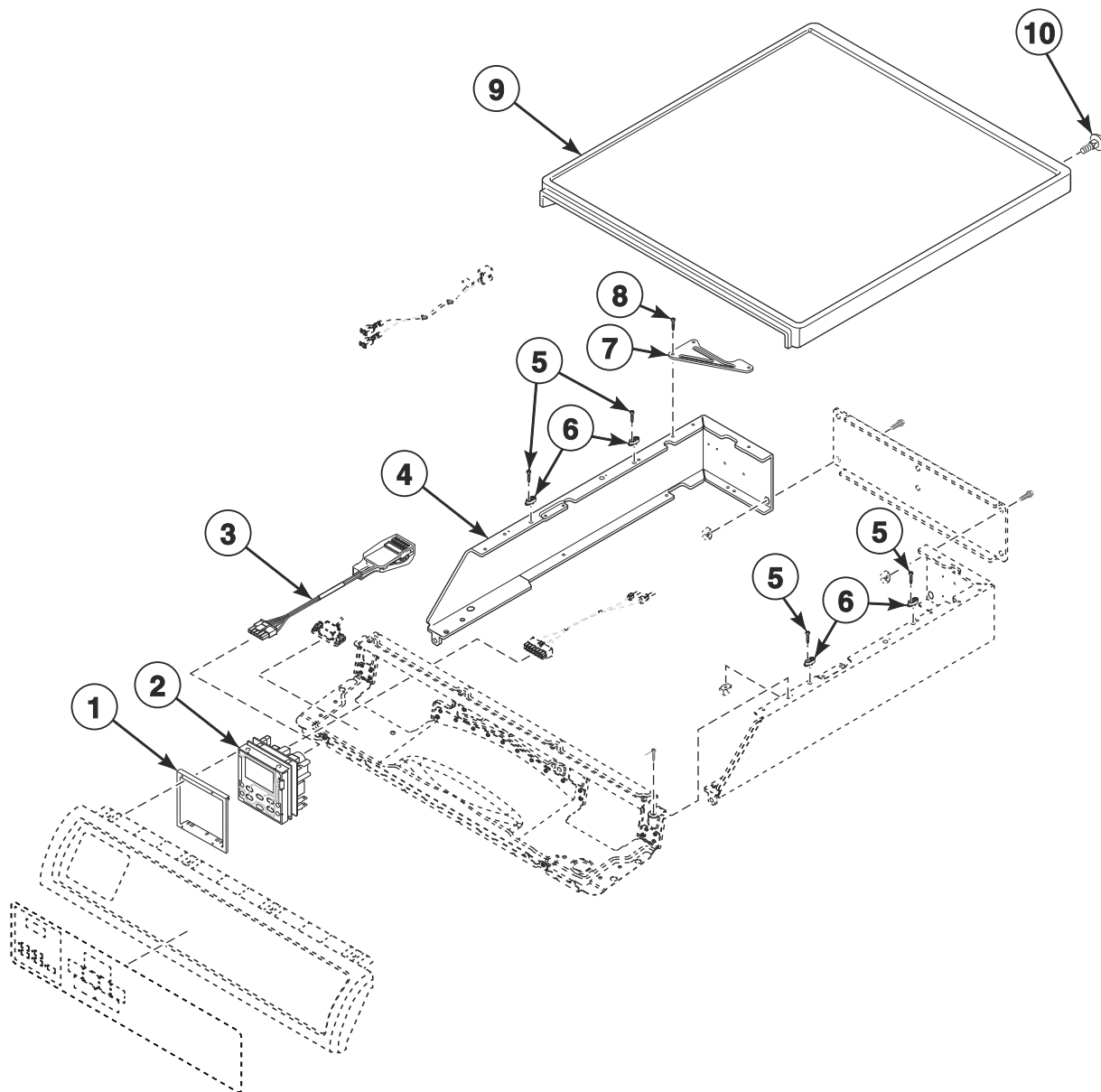
DRY2331P_D518516

Cabinet Top - 10 Degree Front Control Models

REF	PART NO.	DESCRIPTION	COMMENTS
1	36020	Nut	
2	803869	Top Panel	Stainless steel; Models ND3NXAGS403UN01, ND3NXASS403UN01 and SD3NXAGS403UN01
	804023DG	Top Panel	Dark gray; Models ND3NXAGS403UG01, NDENXAGS303UG01, NDGNXAGS303UG01, PD3JXAGS403UG01, PDGJXAGS303UG01, SD3NXAGS403UG01, SDEJXAGS553UG16, SDENXAGS303UG01, SDERXAGS303UG01, SDGNXAGS303EG01 and SDGNXAGS303UG01
	803868WP	Top Panel	White; All other models
3	29651	Bolt	
4	D504228	Top Mounting Bracket	
5	23008	Screw	

Control Cabinet - 45 Degree Front Control Models (Drawing 1 of 2)

Models BD3NGBGS403UW01, BD3NGBSS403UN01, ND3NLBGS403NW22, ND3NLBGS403UG01, ND3NLBGS403UG01, ND3NLBGS403UG01, ND3NLBGS403UN01, ND3NLBSS403UN01, NDENGBGS303UG01, NDNLBGS303UG01, PD3JGBGS403UG01, PDEJGBGS303UG01, PDGJGBGS303UG01, SD3JGBGS403UW01, SD3NGBGS403UG01, SD3NGBGS403UN01, SD3NLBGS403UG01, SD3NLBGS403UN01, SD3RGBGS403UG01, SDENGBGS303UG01, SDENGBGS543ZG01, SDENLBGS303UG01, SDENLBGS543ZG01, SDGNBGS303UG01, SDGNLBGS303UG01 and TD3NGBGS403NW36



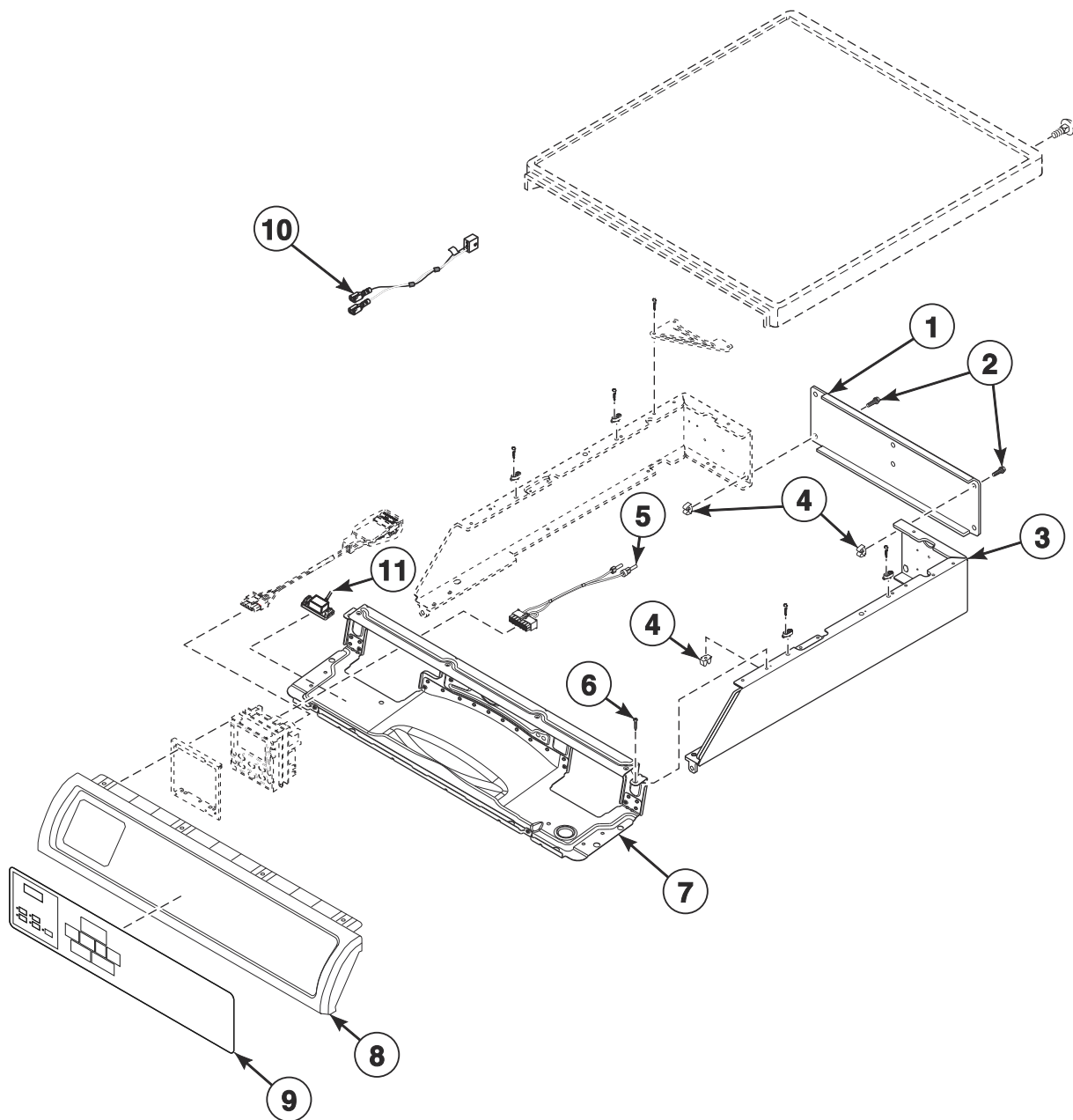
DRY2617P_D518516

Control Cabinet - 45 Degree Front Control Models (Drawing 1 of 2)

REF	PART NO.	DESCRIPTION	COMMENTS
	36226	Bumper Pad	4 required
1	D514261	Control Bracket	
2	D517524	Control Assembly	Models PD3JGBGS403UG01, PDEJGBGS303UG01 and PDGJGBGS303UG01
	D517522	Control Assembly	Models ND3NLBGS403NW22, ND3NLBGS403UG01, ND3NLBGS403UG01, ND3NLBGS403UN01, ND3NLBSS403UN01, NDENGBGS303UG01, NDGNLBGS303UG01, SD3JGBGS403UW01, SD3NGBGS403UG01, SD3NGBGS403UN01, SD3NLBGS403UG01, SD3NLBGS403UN01, SD3RGBGS403UG01, SDENGBGS303UG01, SDENGBGS543ZG01, SDENLBGS303UG01, SDENLBGS543ZG01, SDGNBGS303UG01, SDGNLBGS303UG01 and TD3NGBGS403NW36
	D517523	Control Assembly	Models BD3NGBGS403UW01 and BD3NGBSS403UN01
3	203361P	Machine ID Control Assembly	Model or serial number is required when ordering
4	804627W	Control Wrapper	White; Left; Models BD3NGBGS403UW01, ND3NLBGS403NW22, SD3JGBGS403UW01 and TD3NGBGS403NW36
	804627B	Control Wrapper	Black; Left; Models BD3NGBSS403UN01, ND3NLBGS403UN01, ND3NLBSS403UN01, SD3NGBGS403UN01 and SD3NLBGS403UN01
	804627DG	Control Wrapper	Dark gray; Left; Models ND3NLBGS403UG01, ND3NLBGS403UG01, ND3NLBGS403UN01, NDENGBGS303UG01, NDGNLBGS303UG01, PD3JGBGS403UG01, PDEJGBGS303UG01, PDGJGBGS303UG01, SD3NGBGS403UG01, SD3NLBGS403UG01, SD3RGBGS403UG01, SDENGBGS303UG01, SDENGBGS543ZG01, SDENLBGS303UG01, SDENLBGS543ZG01, SDGNBGS303UG01 and SDGNLBGS303UG01
5	39733	Screw	4 required
6	803761	Top Panel Guide	4 required
7	805345	Rear Wrapper Brace	2 required
8	D503688	Screw	6 required
9	804684	Top Panel	Stainless steel; Models BD3NGBSS403UN01, ND3NLBGS403UN01, ND3NLBSS403UN01, SD3NGBGS403UN01 and SD3NLBGS403UN01
	804685WP	Top Panel	White; Models BD3NGBGS403UW01, ND3NLBGS403NW22, ND3NLBGS403UG01, SD3JGBGS403UW01 and TD3NGBGS403NW36
	804685DG	Top Panel	Dark gray; Models ND3NLBGS403UG01, NDENGBGS303UG01, NDGNLBGS303UG01, PD3JGBGS403UG01, PDEJGBGS303UG01, PDGJGBGS303UG01, SD3NGBGS403UG01, SD3NLBGS403UG01, SD3RGBGS403UG01, SDENGBGS303UG01, SDENGBGS543ZG01, SDENLBGS303UG01, SDENLBGS543ZG01, SDGNBGS303UG01, SDGNLBGS303UG01 and TD3NGBGS403NW36
10	29651	Bolt	

Control Cabinet - 45 Degree Front Control Models (Drawing 2 of 2)

Models BD3NGBGS403UW01, BD3NGBSS403UN01, ND3NLBGS403NW22, ND3NLBGS403UG01, ND3NLBGS403UG01, ND3NLBGS403UG01, ND3NLBGS403UN01, ND3NLBSS403UN01, NDENGBGS303UG01, NDGNLBGS303UG01, PD3JGBGS403UG01, PDEJGBGS303UG01, PDGJGBGS303UG01, SD3JGBGS403UW01, SD3NGBGS403UG01, SD3NGBGS403UN01, SD3NLBGS403UG01, SD3NLBGS403UN01, SD3RGBGS403UG01, SDENGBGS303UG01, SDENGBGS543ZG01, SDENLBGS303UG01, SDENLBGS543ZG01, SDGNBGS303UG01, SDGNLBGS303UG01 and TD3NGBGS403NW36



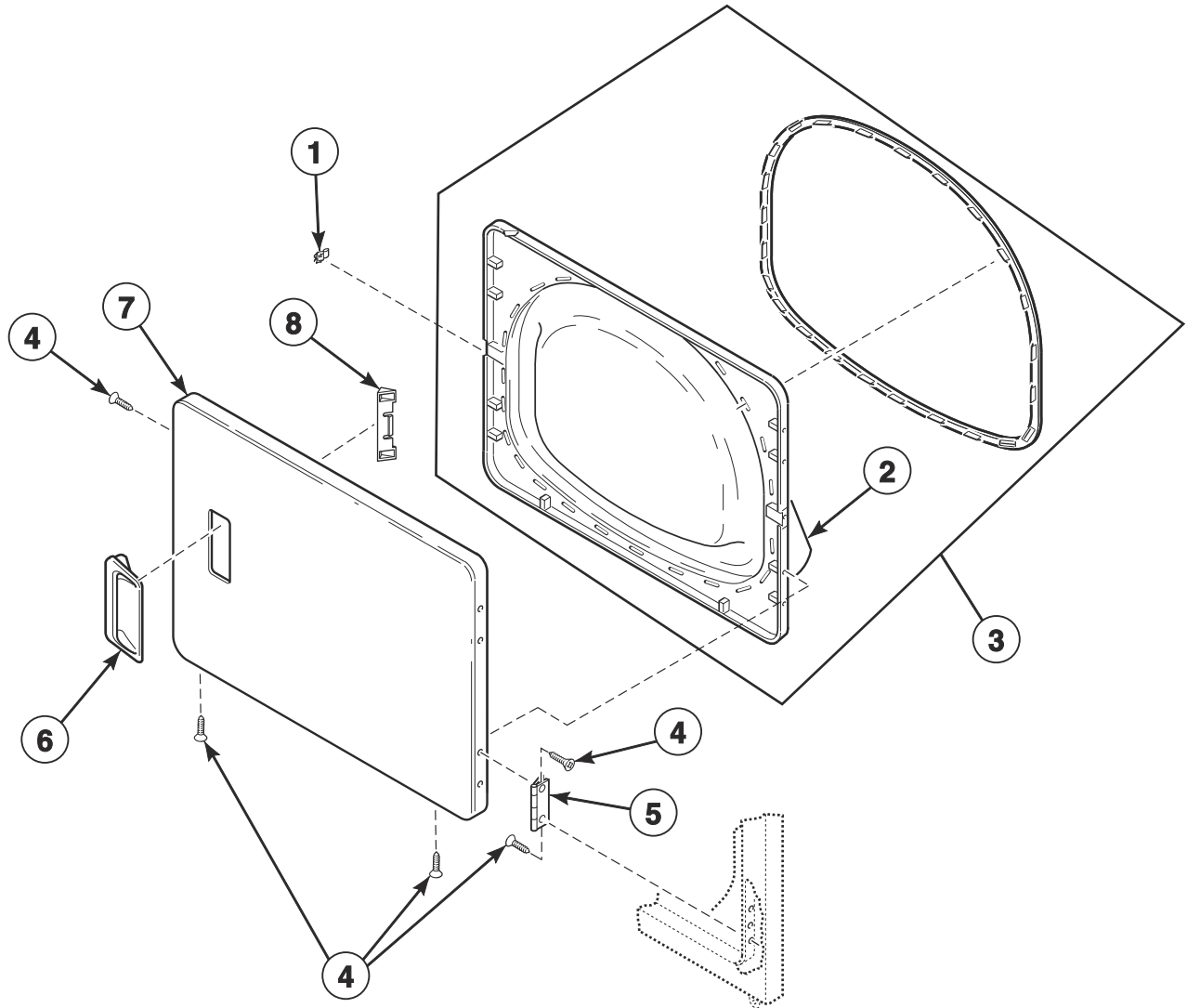
DRY2618P_D518516

Control Cabinet - 45 Degree Front Control Models (Drawing 2 of 2)

REF	PART NO.	DESCRIPTION	COMMENTS
	36226	Bumper Pad	4 required
1	804614	Rear Access Panel	
2	D503688	Screw	
3	804630W	Control Wrapper	White; Right; Models BD3NGBGS403UW01, ND3NLBGS403NW22, SD3JGBGS403UW01 and TD3NGBGS403NW36
	804630B	Control Wrapper	Black; Right; Models BD3NGBSS403UN01, ND3NLBGS403UN01, ND3NLBSS403UN01, SD3NGBGS403UN01 and SD3NLBGS403UN01
	804630DG	Control Wrapper	Dark gray; Right; Models ND3NLBGS403UG01, ND3NLBGS403UG01, ND3NLBGS403UG01, NDENBGS303UG01, NDGNLBGS303UG01, PD3JGBGS403UG01, PDEJGBGS303UG01, PDGJGBGS303UG01, SD3NGBGS403UG01, SD3NLBGS403UG01, SD3RGBGS403UG01, SDENBGS303UG01, SDENBGS543ZG01, SDENLBGS303UG01, SDENLBGS543ZG01, SDGNBGS303UG01 and SDGNLBGS303UG01
4	70030501	Expansion Clip	
5	202869	Wiring Harness Assembly	
6	804667	Screw	
7	804613	Top Panel Brace Assembly	
8	D514454	Control Panel Assembly	Models BD3NGBGS403UW01, ND3NLBGS403NW22, SD3JGBGS403UW01 and TD3NGBGS403NW36
	D514455	Control Panel Assembly	Models BD3NGBSS403UN01, ND3NLBGS403UN01, ND3NLBSS403UN01, SD3NGBGS403UN01 and SD3NLBGS403UN01
	D514468	Control Panel Assembly	Models ND3NLBGS403UG01, ND3NLBGS403UG01, ND3NLBGS403UG01, NDENBGS303UG01, NDGNLBGS303UG01, PD3JGBGS403UG01, PDEJGBGS303UG01, PDGJGBGS303UG01, SD3NGBGS403UG01, SD3NLBGS403UG01, SD3RGBGS403UG01, SDENBGS303UG01, SDENBGS543ZG01, SDENLBGS303UG01, SDENLBGS543ZG01, SDGNBGS303UG01 and SDGNLBGS303UG01
9	D514656	Control Overlay	Models BD3NGBGS403UW01 and BD3NGBSS403UN01
	D514658	Control Overlay	Models ND3NLBGS403NW22, ND3NLBSS403UN01 and TD3NGBGS403NW36
	D518404	Control Overlay	Models ND3NLBGS403UN01, ND3NLBSS403UN01, NDENBGS303UG01 and NDGNLBGS303UG01
	D514928	Control Overlay	Models PD3JGBGS403UG01, PDEJGBGS303UG01 and PDGJGBGS303UG01
	D517618	Control Overlay	Models NDGNLBGS303UG01, SD3JGBGS403UW01, SD3NGBGS403UG01, SD3NGBGS403UN01, SD3NLBGS403UG01, SD3NLBGS403UN01, SD3RGBGS403UG01, SDENBGS303UG01, SDENBGS543ZG01, SDENLBGS303UG01, SDENLBGS543ZG01, SDGNBGS303UG01 and SDGNLBGS303UG01
10	D514069	Transformer Harness	
11	D519054	Power Supply Assembly	

Loading Door without Window

All Models Except JDEJGAGW303EW01, JDEJRAGW303EW01, JDEJXAGW303EW01, JDGJGAGW303EW01, JDGJRAGW303EW01 and JDGJXAGW303EW01



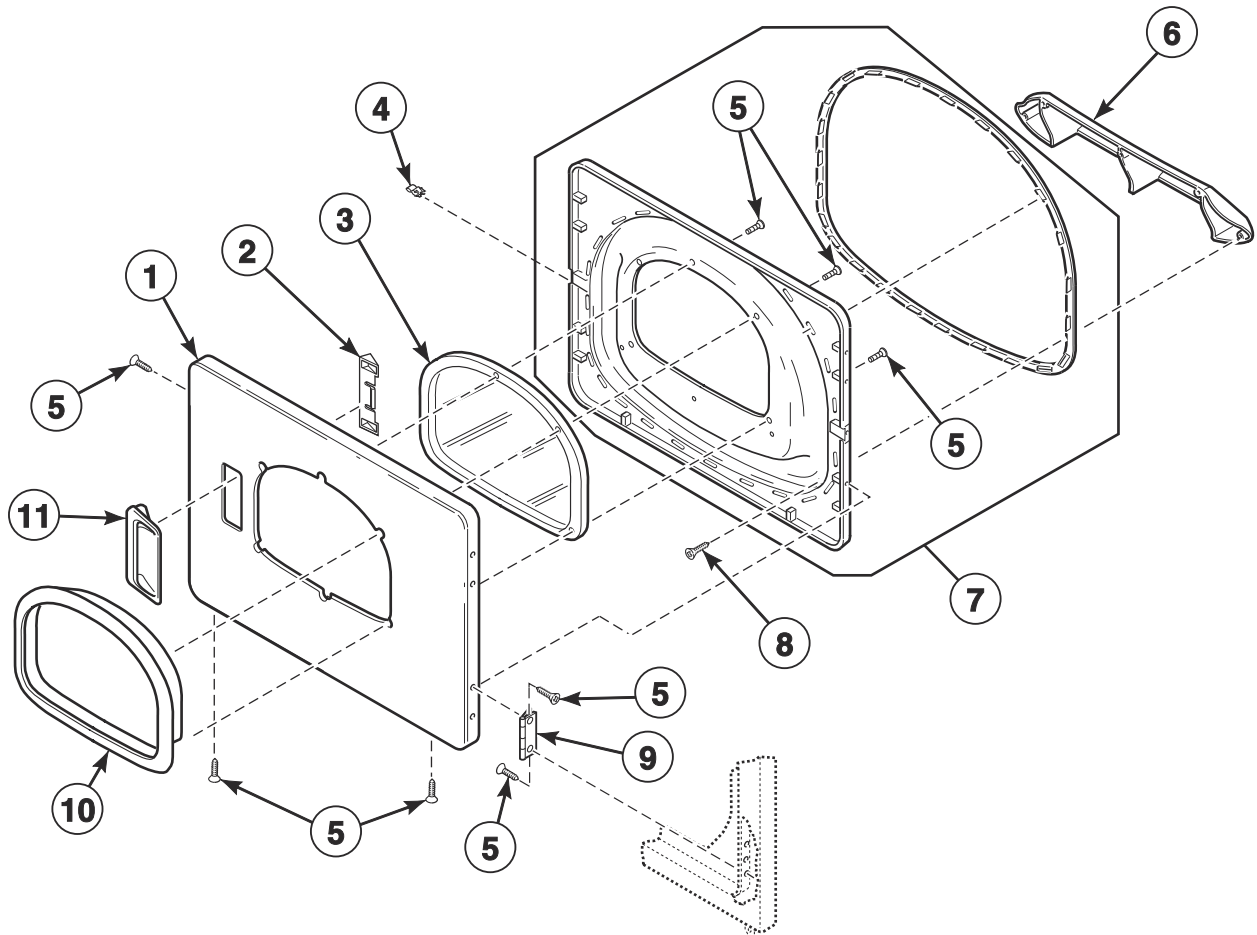
DRY2544P_D518516

Loading Door without Window

REF	PART NO.	DESCRIPTION	COMMENTS
1	D510181	Door Strike	
2	D503870LG	Door Liner Grill	Gray
	D503870W	Door Liner Grill	White
3	D516508	Door Liner Assembly	Includes seal
4	D500226	Screw	
5	D511036	Hinge	
6	D511213P	Door Pull and Wedge Kit	Black; Includes item 7; Models BD3NGBSS403UN01, ND3NLBGS403UN01, ND3NLBSS403UN01, ND3NXAGS403UN01, ND3NXASS403UN01, SD3NGBGS403UN01, SD3NLBGS403UN01 and SD3NXAGS403UN01
	D512947	Door Pull	Light gray; Includes item 7; Models ND3NLBGS403UG01, ND3NLBGS403UG01, ND3NLBGS403UG01, ND3NXAGS403UG01, NDENGBGS303UG01, NDENXAGS303UG01, NDGNLBGS303UG01, NDGNXAGS303UG01, PD3JGBGS403UG01, PD3JXAGS403UG01, PDEJGBGS303UG01, PDGJGBGS303UG01, PDGJXAGS303UG01, SD3NGBGS403UG01, SD3NLBGS403UG01, SD3NXAGS403UG01, SD3RGBGS403UG01, SDEJXAGS553UG16, SDENGBGS303UG01, SDENGBGS543ZG01, SDENLBGS303UG01, SDENLBGS543ZG01, SDENXAGS303UG01, SDERXAGS303UG01, SDGNBGS303UG01, SDGNLBGS303UG01, SDGNXAGS303EG01 and SDGNXAGS303UG01
	D510103WP	Door Pull and Wedge Kit	White; Includes item 7; All other models
7	D512969	Dryer Door	Stainless steel; Includes item 7; Models BD3NGBSS403UN01, ND3NLBGS403UN01, ND3NLBSS403UN01, ND3NXASS403UN01, SD3NGBGS403UN01, SD3NLBGS403UN01 and SD3NXAGS403UN01
	D510013DG	Dryer Door	Dark gray; Includes item 7; Models ND3NLBGS403UG01, ND3NLBGS403UG01, ND3NLBGS403UG01, ND3NXAGS403UG01, NDENGBGS303UG01, NDENXAGS303UG01, NDGNLBGS303UG01, NDGNXAGS303UG01, PD3JGBGS403UG01, PD3JXAGS403UG01, PDEJGBGS303UG01, PDGJGBGS303UG01, PDGJXAGS303UG01, SD3NGBGS403UG01, SD3NLBGS403UG01, SD3NXAGS403UG01, SD3RGBGS403UG01, SDEJXAGS553UG16, SDENGBGS303UG01, SDENGBGS543ZG01, SDENLBGS303UG01, SDENLBGS543ZG01, SDENXAGS303UG01, SDERXAGS303UG01, SDGNBGS303UG01, SDGNLBGS303UG01, SDGNXAGS303EG01 and SDGNXAGS303UG01
	D510013WP	Dryer Door	White; All other models
8	D510129W	Door Handle Wedge	

Loading Door with Window

Models JDEJGAGW303EW01, JDEJRAGW303EW01, JDEJXAGW303EW01, JDGJGAGW303EW01, JDGJRAGW303EW01 and JDGJXAGW303EW01

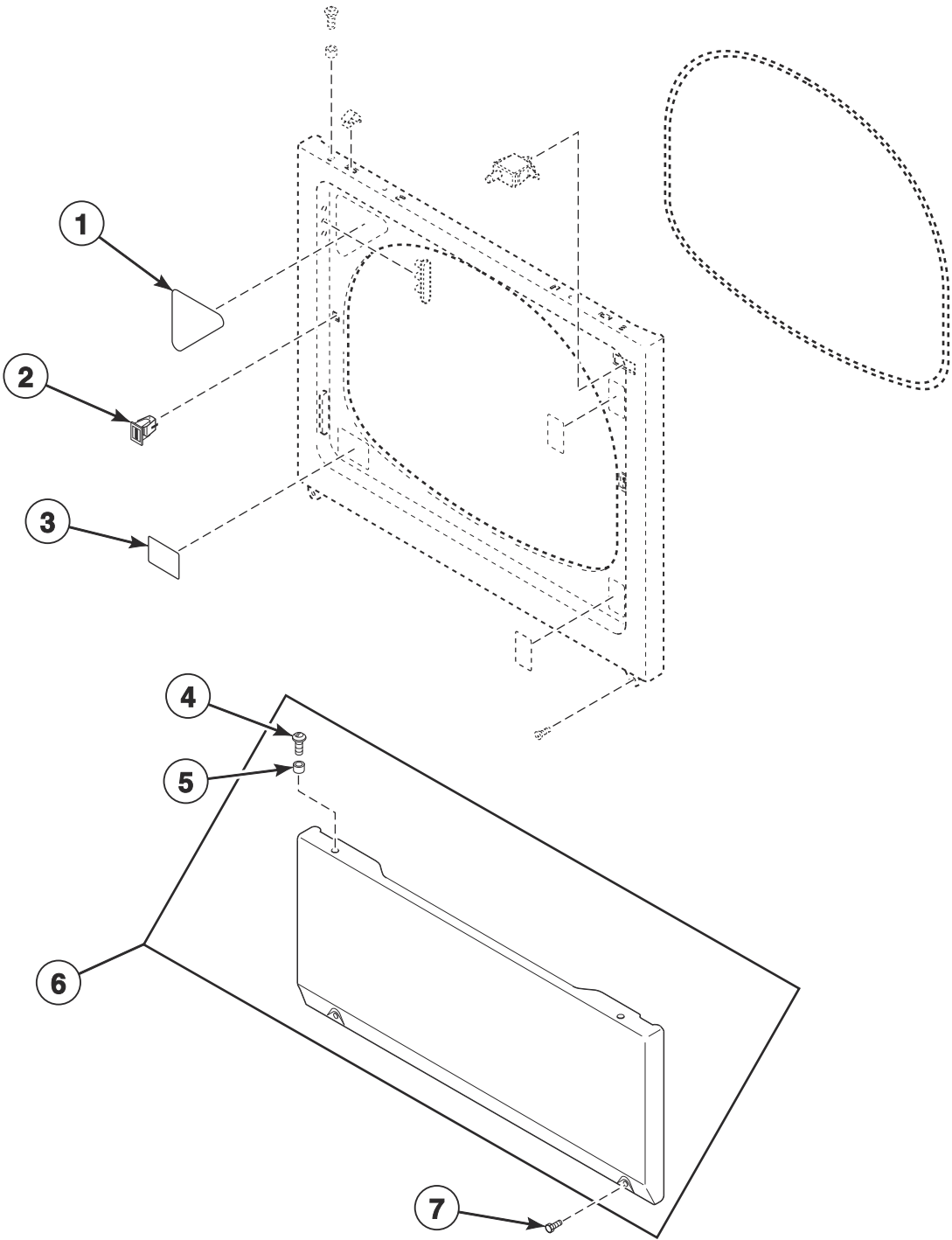


SWD1308P_D518516

Loading Door with Window

REF	PART NO.	DESCRIPTION	COMMENTS
1	D515961W	Dryer Door	
2	D510129W	Door Handle Wedge	
3	D515681	Dryer Door Window	
4	D510181	Door Strike	
5	D500226	Screw	
6	D503870W	Door Liner Grill	
7	D516509	Liner and Seal Assembly	Includes seal
8	D505870	Screw	
9	D511036	Hinge	
10	D515956W	Window Trim	
11	D512947	Door Pull	

Access Panel

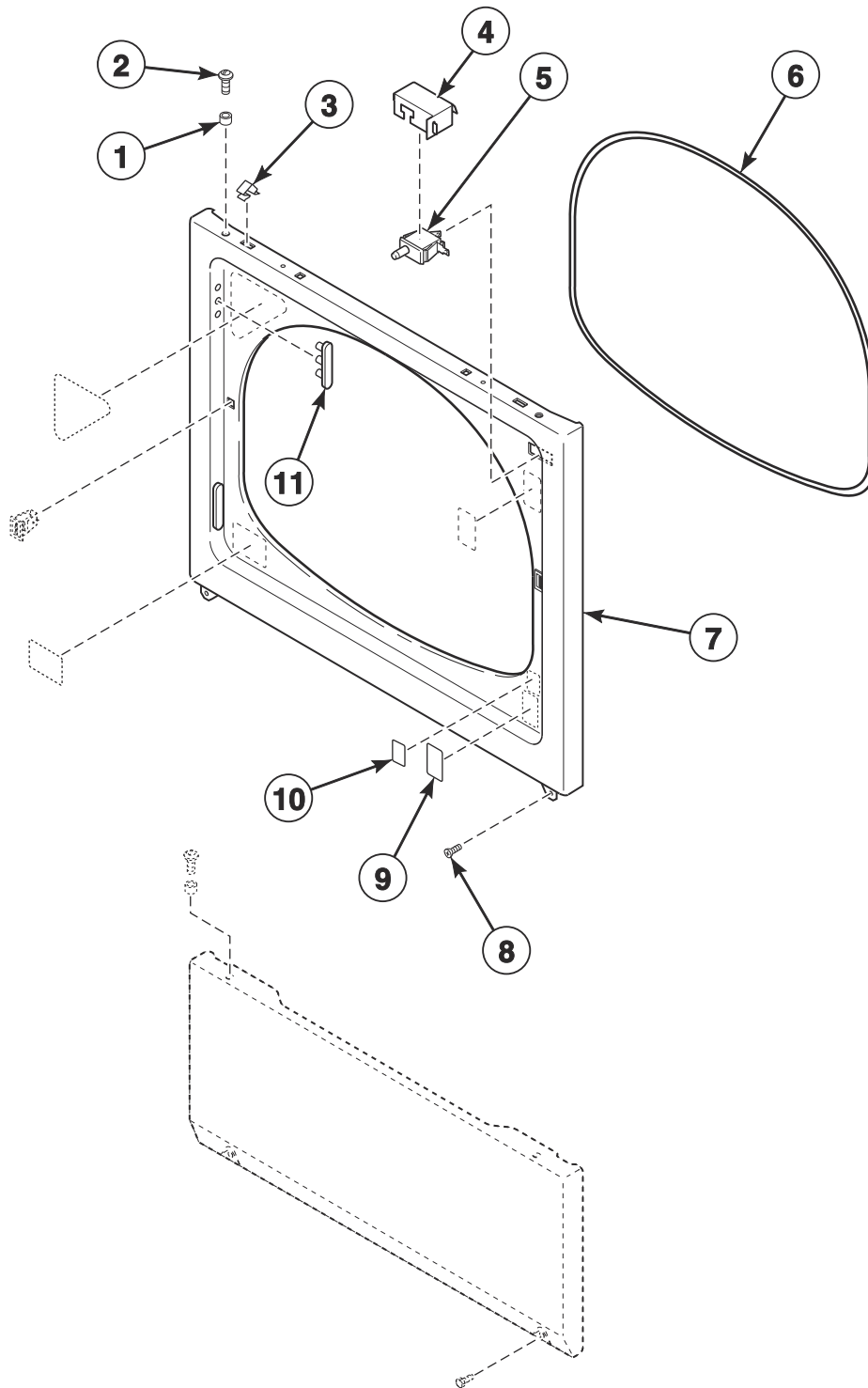


DRY1776P_D518516

Access Panel

REF	PART NO.	DESCRIPTION	COMMENTS
1	D514867	Warning Label	Thai
	D514410	Warning Label	Arabic
	D516514	Warning Label	Spanish
	D514866	Warning Label	Japanese
	D514226	Warning Label	Brazilian Portuguese
	D500253	Caution Label	English/French
	D516512	Warning/Caution Label	English
2	D510177	Door Catch Assembly	
3	D502804	Lint Filter Label	Models SDENXRGS433AW01, SDENXRGS433LW01, SDERXAGS433AW01, SDERXRGS433AW01, SDGNXAGS303AW01, SDGNXRGS303AW01 and SDLNXRGS303LW01
	D502781	Lint Filter Label	All other models
4	39733	Screw	
5	56079	Panel Locator	
6	D514251	Access Panel Assembly	Stainless steel; Models BD3NGBSS403UN01, ND3NLBGS403UN01, ND3NLBSS403UN01, ND3NXAGS403UN01, ND3NXASS403UN01, SD3NGBGS403UN01, SD3NLBGS403UN01 and SD3NXAGS403UN01
	D514250DG	Access Panel Assembly	Dark gray; Models ND3NLBGS403UG01, ND3NLBGS403UG01, ND3NLBSS403UG01, ND3NXAGS403UG01, NDENGBGS303UG01, NDENXAGS303UG01, NDGNLBGS303UG01, NDGNXAGS303UG01, PD3JGBGS403UG01, PD3JXAGS403UG01, PDEJGBGS303UG01, PDGJGBGS303UG01, PDGJXAGS303UG01, SD3NGBGS403UG01, SD3NLBGS403UG01, SD3NXAGS403UG01, SD3RGBGS403UG01, SDEJXAGS553UG16, SDENGBGS303UG01, SDENGBGS543ZG01, SDENLBGS303UG01, SDENLBGS543ZG01, SDENXAGS303UG01, SDERXAGS303UG01, SDGNBGS303UG01, SDGNLBGS303UG01, SDGNXAGS303EG01 and SDGNXAGS303UG01
	D514250WP	Access Panel Assembly	White; All other models
7	33562	Screw	
	62853	Screw	Optional for added security

Front Panel and Seal

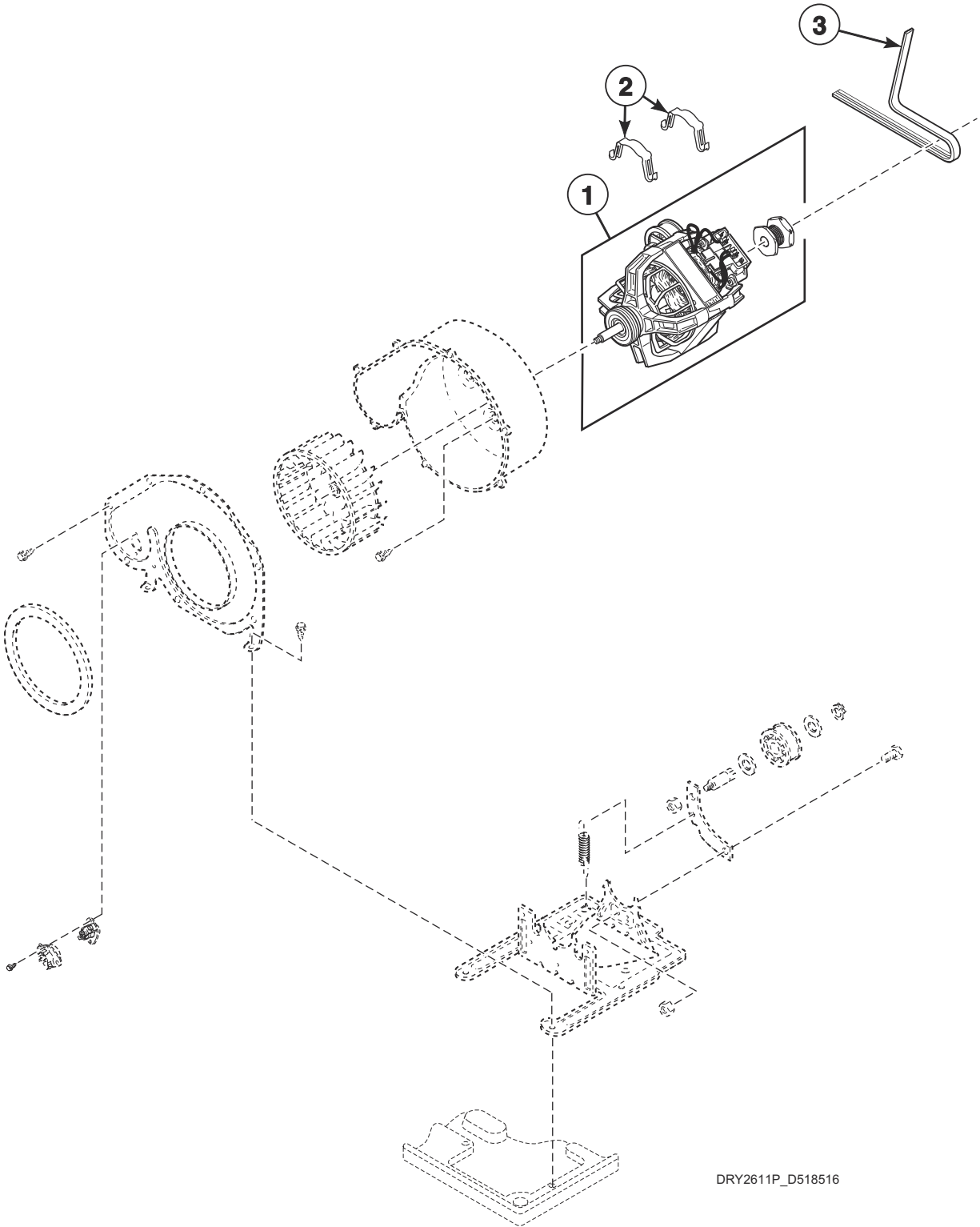


DRY2355P_D518516

Front Panel and Seal

REF	PART NO.	DESCRIPTION	COMMENTS
1	56079	Panel Locator	
2	39733	Screw	
3	28835	Speed Clip	
4	D514327	Drip Shield	Models BD3NGBGS403UW01, BD3NGBSS403UN01, BD3NXAGS403UW01, HDENXAGS543DW01, HDGNXAGS123DW01, HDGNXAGS543DW01, JDEJGAGS303EW01, JDEJGAGW303EW01, JDEJRAGS303EW01, JDEJRAGW303EW01, JDEJXAGW303EW01, JDEVGAGS303EW01, JDGJGAGS303EW01, JDGJGAGW303EW01, JDGJRAGS303EW01, JDGJRAGW303EW01, JDGJXAGW303EW01, JDGVGAGS303EW01, ND3NLBGS403UN01, ND3NLBSS403UN01, ND3NXAGS403UG01, ND3NXAGS403UN01, ND3NXASS403UN01, NDENXAGS303UG01, NDENXAGS303UW01, NDGNLBGS303UG01, NDGNXAGS303EW01, NDGNXAGS303UG01, NDGNXAGS303ZW38, PD3JGBGS403UG01, PD3JXAGS403UG01, PDEJGBGS303UG01, PDGJGBGS303UG01, PDGJXAGS303UG01, SD3JGBGS403UW01, SD3NGBGS403UG01, SD3NGBGS403UN01, SD3NLBGS403UG01, SD3NLBGS403UN01, SD3NXAGS403UG01, SD3NXAGS403UN01, SDEJXAGS553UG16, SDENGBGS303UG01, SDENGBGS543ZG01, SDENLBGS303UG01, SDENLBGS543ZG01, SDENXAGS303UG01, SDENXAGS543DW01, SDENXAGS543RW01, SDERXAGS303UG01, SDERXAGS433AW01, SDEWXAGS433LW01, SDGNBGS303UG01, SDGNLBGS303UG01, SDGNXAGS123DW01, SDGNXAGS303BW01, SDGNXAGS303EG01, SDGNXAGS543DW01, SDLNXRGS543PW01, SDMNXRGS083JW01 and SDMNXRGS103JW01
5	D512973	Switch	
6	D511056	Front Panel Seal	
7	D512542	Front Panel	Stainless steel; Models BD3NGBSS403UN01, ND3NLBGS403UN01, ND3NLBSS403UN01, ND3NXAGS403UN01, ND3NXASS403UN01, SD3NGBGS403UN01, SD3NLBGS403UN01 and SD3NXAGS403UN01
	D510066DG	Front Panel	Dark gray; Models ND3NLBGS403UG01, ND3NLBGS403UG01, ND3NLBGS403UG01, ND3NXAGS403UG01, NDENGBGS303UG01, NDENXAGS303UG01, NDGNLBGS303UG01, NDGNXAGS303UG01, PD3JGBGS403UG01, PD3JXAGS403UG01, PDEJGBGS303UG01, PDGJGBGS303UG01, PDGJXAGS303UG01, SD3NGBGS403UG01, SD3NLBGS403UG01, SD3NXAGS403UG01, SD3RGBGS403UG01, SDEJXAGS553UG16, SDENGBGS303UG01, SDENGBGS543ZG01, SDENLBGS303UG01, SDENLBGS543ZG01, SDENXAGS303UG01, SDERXAGS303UG01, SDGNBGS303UG01, SDGNLBGS303UG01, SDGNXAGS303EG01 and SDGNXAGS303UG01
	D510066WP	Front Panel	White; All other models
8	M405188	Screw	Use with stainless steel side panels
	D503688	Screw	Use with painted side panels
9	D512263	Warning Label	Models SDENXRGS433AW01, SDERXAGS433AW01, SDERXRGS433AW01, SDGNXAGS303AW01 and SDGNXRGS303AW01
10	D503887	Label	Models SDGNXAGS303AW01 and SDGNXRGS303AW01
11	D510186	Hinge Hole Plug	

Motor and Belt (Drawing 1 of 2)

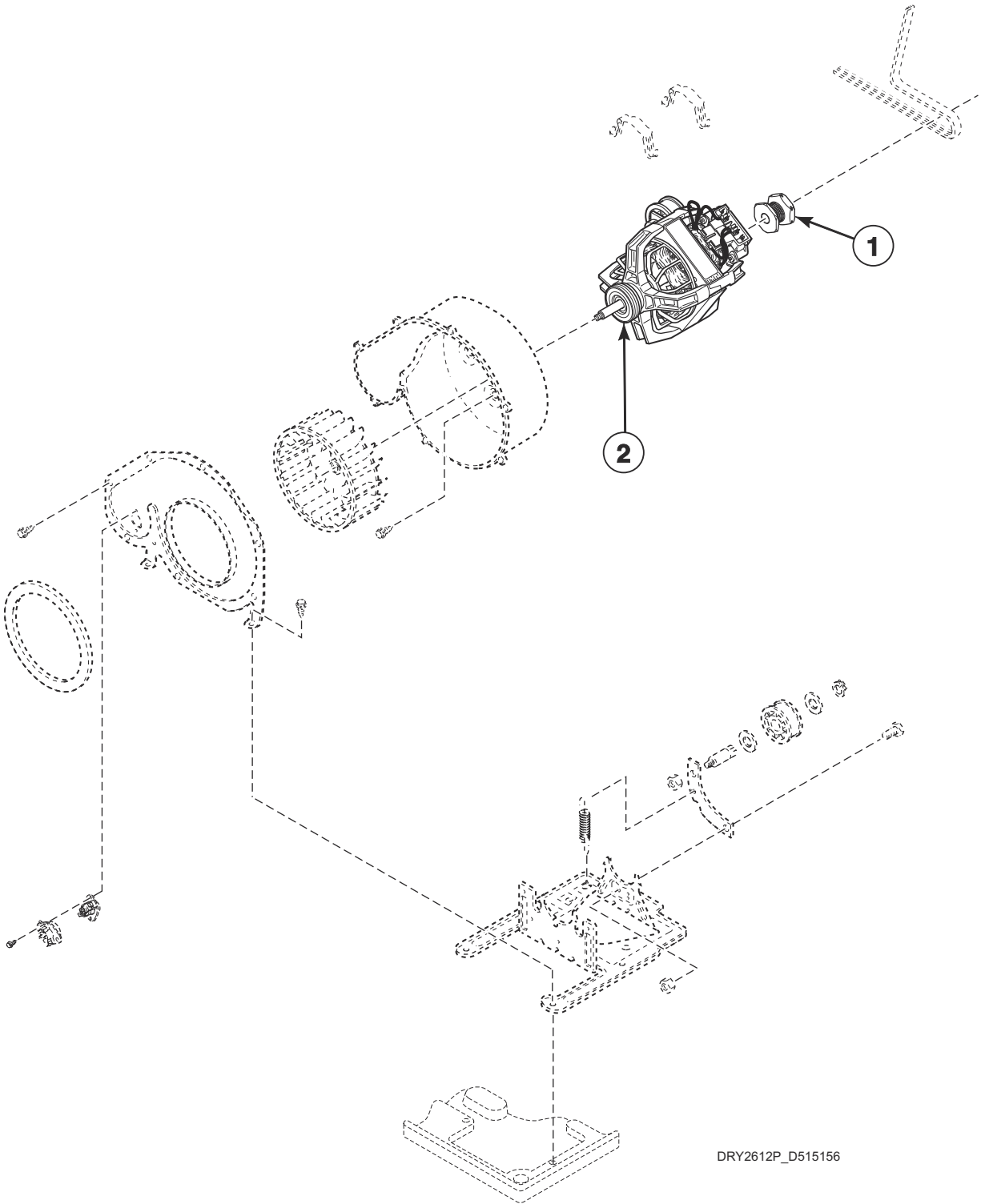


DRY2611P_D518516

Motor and Belt (Drawing 1 of 2)

REF	PART NO.	DESCRIPTION	COMMENTS
	27604P	Anti-Seize Compound	Apply to motor shaft when installing blower fan assembly
1	D505843P	Motor and Pulley Assembly	240 Volt/50 Hertz; Apply anti-seize compound to motor shaft when installing blower fan assembly; Models BD3NGBGS403UW01, BD3NGBSS403UN01, BD3NXAGS403UW01, JDEJGAGS303EW01, JDEJGAGW303EW01, JDEJRAGS303EW01, JDEJRAGW303EW01, JDEJXAGW303EW01, JDEVGAGS303EW01, JDEVRAGS303EW01, JDGJGAGS303EW01, JDGJGAGW303EW01, JDGJRAGS303EW01, JDGJRAGW303EW01, JDGJXAGW303EW01, JDGVGAGS303EW01, ND3NLBGS403NW22, ND3NLBGS403UG01, ND3NLBGS403UG01, ND3NLBGS403UG01, ND3NLBGS403UN01, ND3NLBSS403UN01, ND3NXAGS403UG01, ND3NXAGS403UN01, ND3NXASS403UN01, NDENBGS303UG01, NDENXAGS303UG01, NDENXAGS303UW01, NDGNLBGS303UG01, NDGNXAGS303EW01, NDGNXAGS303UG01, NDGNXAGS303ZW38, PD3JGBGS403UG01, PD3JXAGS403UG01, PDEJGBGS303UG01, PDGJGBGS303UG01, PDGJXAGS303UG01, SD3JGBGS403UW01, SD3NGBGS403UG01, SD3NGBGS403UN01, SD3NLBGS403UG01, SD3NLBGS403UN01, SD3NXAGS403UG01, SD3NXAGS403UN01, SD3RGBGS403UG01, SDENBGS303UG01, SDENBGS543ZG01, SDENLBGS303UG01, SDENXAGS303UG01, SDENXRGS433AW01, SDENXRGS433LW01, SDENYRGS303NW22, SDERXAGS303UG01, SDERXAGS433AW01, SDERXRGS433AW01, SDEWXAGS433LW01, SDGNBGS303UG01, SDGNLBGS303UG01, SDGNXAGS303AW01, SDGNXAGS303BW01, SDGNXAGS303EG01, SDGNXAGS303UG01, SDGNXRGS303AW01, SDGWXAGS303BW01, SDLNXRGS303LW01 and TD3NGBGS403NW36
	D505869P	Motor and Pulley Assembly	240 Volt/60 Hertz; Apply anti-seize compound to motor shaft when installing blower fan assembly; Models HDENXAGS543DW01, HDGNXAGS543DW01, SDEJXAGS553UG16, SDENLBGS543ZG01, SDENXAGS543DW01, SDENXAGS543RW01, SDERXAGS543DW01, SDGNXAGS543DW01, SDGRXAGS543DW01, SDLNXRGS543NW23 and SDLNXRGS543PW01
	D516608P	Motor and Pulley Assembly	115 Volt/50 Hertz; Apply anti-seize compound to motor shaft when installing blower fan assembly; Model SDMNXRGS103JW01
	D511629P	Motor and Pulley Assembly	120 Volt/60 Hertz; Apply anti-seize compound to motor shaft when installing blower fan assembly; All other models
2	D510180	Motor Mount Clamp	
3	D511255P	Cylinder Belt	

Motor and Belt (Drawing 2 of 2)

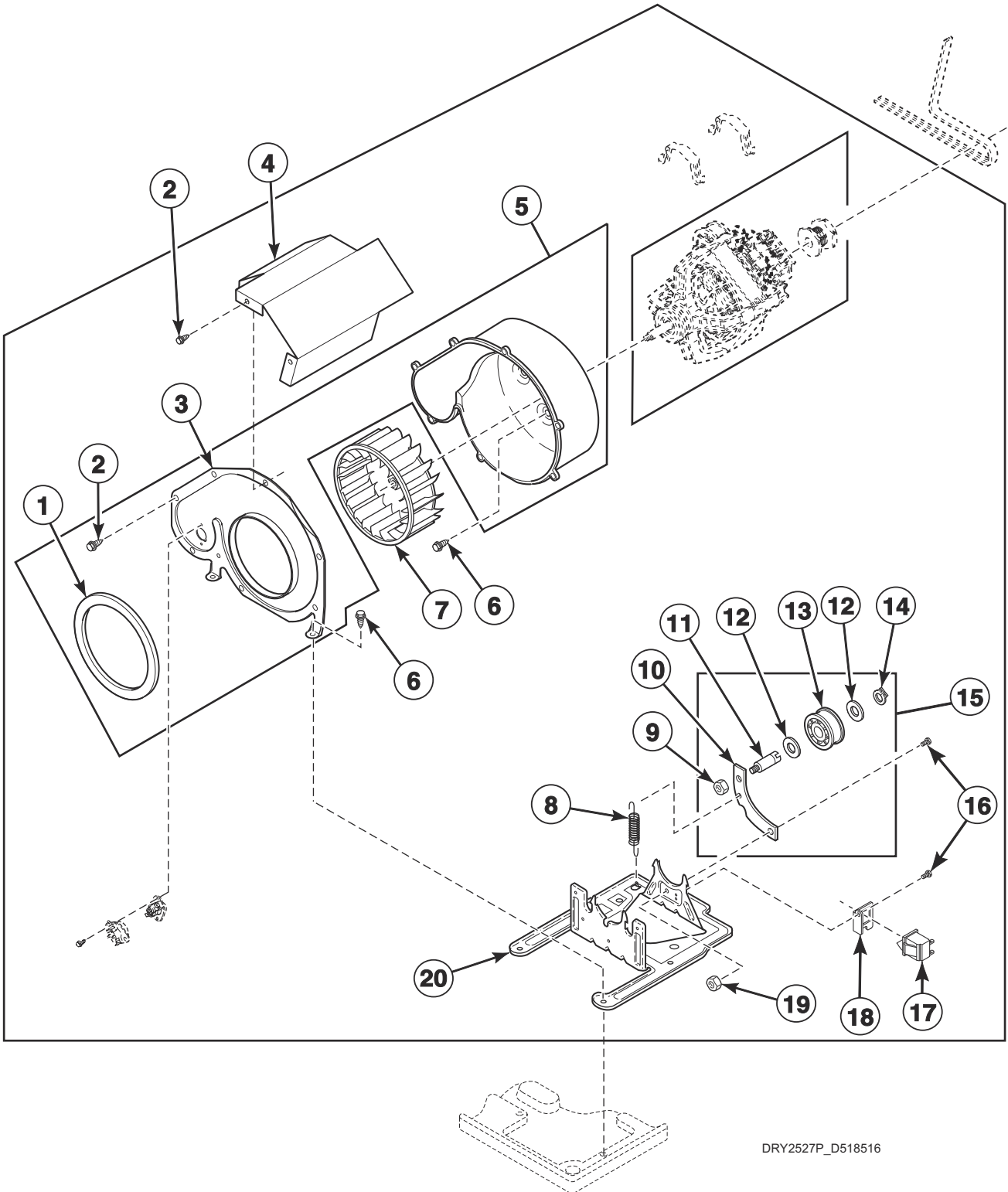


DRY2612P_D515156

Motor and Belt (Drawing 2 of 2)

REF	PART NO.	DESCRIPTION	COMMENTS
1	D500222	Motor Pulley	Use with Motor and Pulley Assembly; 50 Hertz; Models BD3NGBGS403UW01, BD3NGBSS403UN01, BD3NXAGS403UW01, JDEJGAGS303EW01, JDEJGAGW303EW01, JDEJRAGS303EW01, JDEJRAGW303EW01, JDEJXAGW303EW01, JDEVGAGS303EW01, JDEVRAGS303EW01, JDGJGAGS303EW01, JDGJGAGW303EW01, JDGJRAGS303EW01, JDGJRAGW303EW01, JDGJXAGW303EW01, JDGVGAGS303EW01, ND3NLBGS403NW22, ND3NLBGS403UG01, ND3NLBGS403UG01, ND3NLBGS403UG01, ND3NLBGS403UN01, ND3NLBSS403UN01, ND3NXAGS403UG01, ND3NXAGS403UN01, ND3NXASS403UN01, NDENBGS303UG01, NDENXAGS303UG01, NDENXAGS303UW01, NDGNLBGS303UG01, NDGNXAGS303EW01, NDGNXAGS303UG01, NDGNXAGS303ZW38, PD3JGBGS403UG01, PD3JXAGS403UG01, PDEJGBGS303UG01, PDGJGBGS303UG01, PDGJXAGS303UG01, SD3JGBGS403UW01, SD3NGBGS403UG01, SD3NGBGS403UN01, SD3NLBGS403UG01, SD3NLBGS403UN01, SD3NXAGS403UG01, SD3NXAGS403UN01, SD3RGBGS403UG01, SDEJXAGS553UG16, SDENBGS303UG01, SDENLBGS303UG01, SDENXAGS303UG01, SDENXRGS433AW01, SDENXRGS433LW01, SDENYRGS303NW22, SDERXAGS303UG01, SDERXAGS433AW01, SDERXRGS433AW01, SDEWXAGS433LW01, SDGNBGS303UG01, SDGNLBGS303UG01, SDGNXAGS303AW01, SDGNXAGS303BW01, SDGNXAGS303EG01, SDGNXAGS303UG01, SDGNXRGS303AW01, SDGWXAGS303BW01, SDLNXRGS303LW01, SDMNXRGS103JW01 and TD3NGBGS403NW36
	D500011	Motor Pulley	Use with Motor and Pulley Assembly; 60 Hertz; All other models
2	590P3	Motor Hub Ring Kit	

Exhaust Fan and Idler

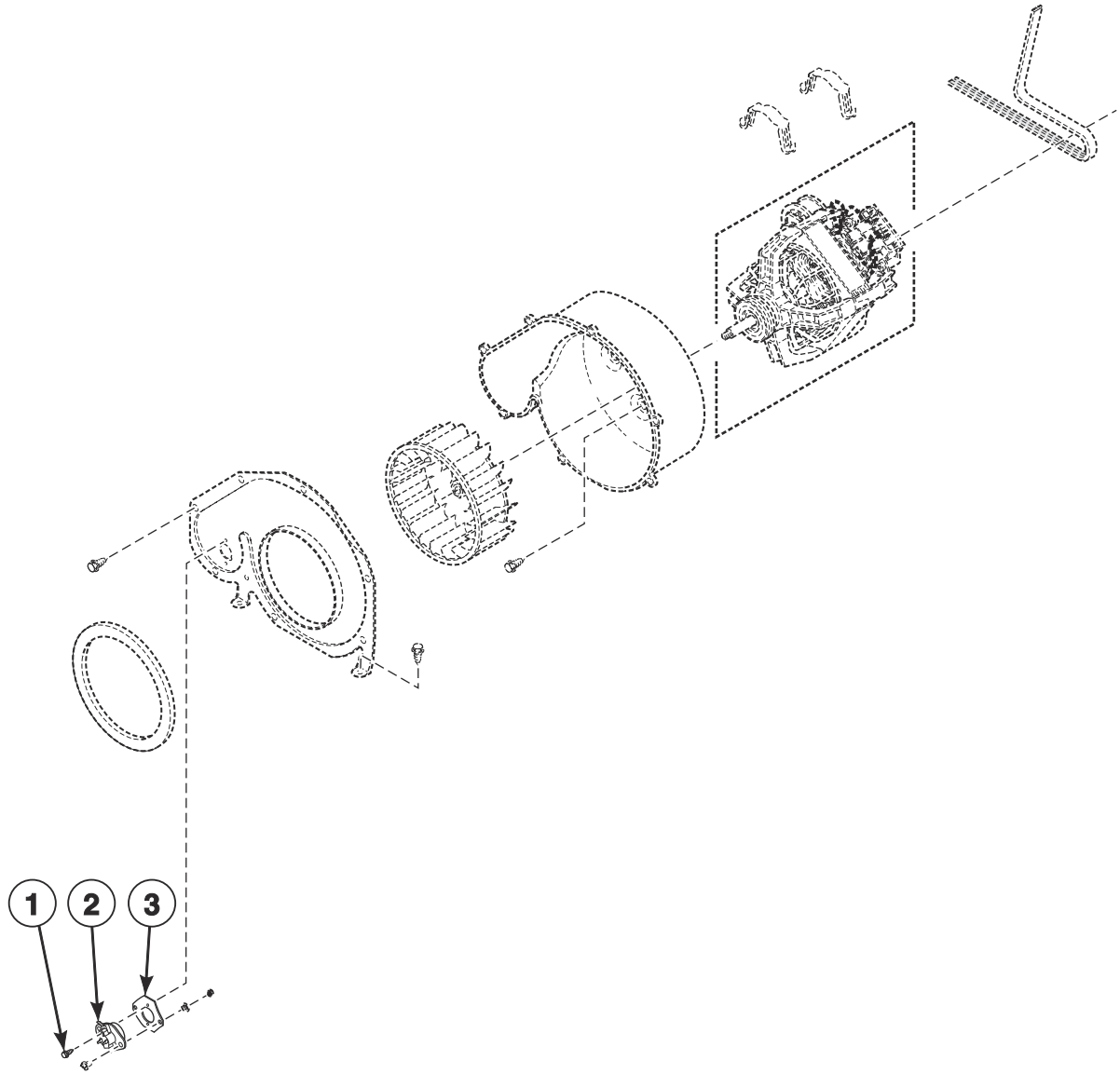


DRY2527P_D518516

Exhaust Fan and Idler

REF	PART NO.	DESCRIPTION	COMMENTS
	27604P	Anti-Seize Compound	Apply to motor shaft when installing blower fan assembly
1	D510238P	Blower Housing Seal	
2	31260	Screw	
3	D516834	Blower Housing Cover	
4	D514602	Motor Shield	Models BD3NGBGS403UW01, BD3NGBSS403UN01, BD3NXAGS403UW01, HDENXAGS543DW01, HDGNXAGS123DW01, HDGNXAGS543DW01, JDEJGAGW303EW01, JDEJRAGW303EW01, JDEJXAGW303EW01, JDGJGAGS303EW01, JDGJGAGW303EW01, JDGJRAGW303EW01, JDGJXAGW303EW01, JDGVGAGS303EW01, ND3NLBGS403UG01, ND3NLBGS403UG01, ND3NLBGS403UG01, ND3NLBGS403UN01, ND3NLBSS403UN01, ND3NXAGS403UG01, ND3NXAGS403UN01, ND3NXASS403UN01, NDENGBGS303UG01, NDENXAGS303UG01, NDENXAGS303UW01, NDGNLBGS303UG01, NDGNXAGS303EW01, NDGNXAGS303UG01, NDGNXAGS303ZW38, PD3JGBGS403UG01, PD3JXAGS403UG01, PDEJGBGS303UG01, PDGJGBGS303UG01, PDGJXAGS303UG01, SD3JGBGS403UW01, SD3NGBGS403UG01, SD3NGBGS403UN01, SD3NLBGS403UG01, SD3NLBGS403UN01, SD3NXAGS403UG01, SD3NXAGS403UN01, SD3RGBGS403UG01, SDEJXAGS553UG16, SDENGBGS303UG01, SDENGBGS543ZG01, SDENLBGS303UG01, SDENLBGS543ZG01, SDENXAGS303UG01, SDENXAGS543DW01, SDENXAGS543RW01, SDERXAGS303UG01, SDERXAGS543DW01, SDEWXAGS433LW01, SDGNBGS303UG01, SDGNLBGS303UG01, SDGNXAGS123DW01, SDGNXAGS303BW01, SDGNXAGS303EG01, SDGNXAGS303UG01, SDGNXAGS543DW01, SDGRXAGS543DW01, SDLNXRGS543PW01, SDMNXRGS083JW01 and SDMNXRGS103JW01
5	D511969WP	Blower Housing	White; Includes items 1-3
	D511969LG	Blower Housing	Gray; Includes items 1-3
6	D503688	Screw	
7	D510139P	Blower Fan Assembly	Apply anti-seize compound to motor shaft when installing blower fan assembly
8	D510185	Idler Spring	
9	56156	Nut	
10	D516310	Idler Lever	
11	56461P	Shaft	
12	52549	Washer	
13	D510142P	Idler Wheel and Bearing Assembly	
14	23748	Retaining Ring	
15	D516792	Idler Lever and Wheel Assembly	Includes items 9-14
16	D500824	Screw	
17	D516391	Switch	
18	D516311	Motor Switch Bracket	
19	52566	Nut	
20	D518517	Motor Mount	

Thermistor (Drawing 1 of 3)

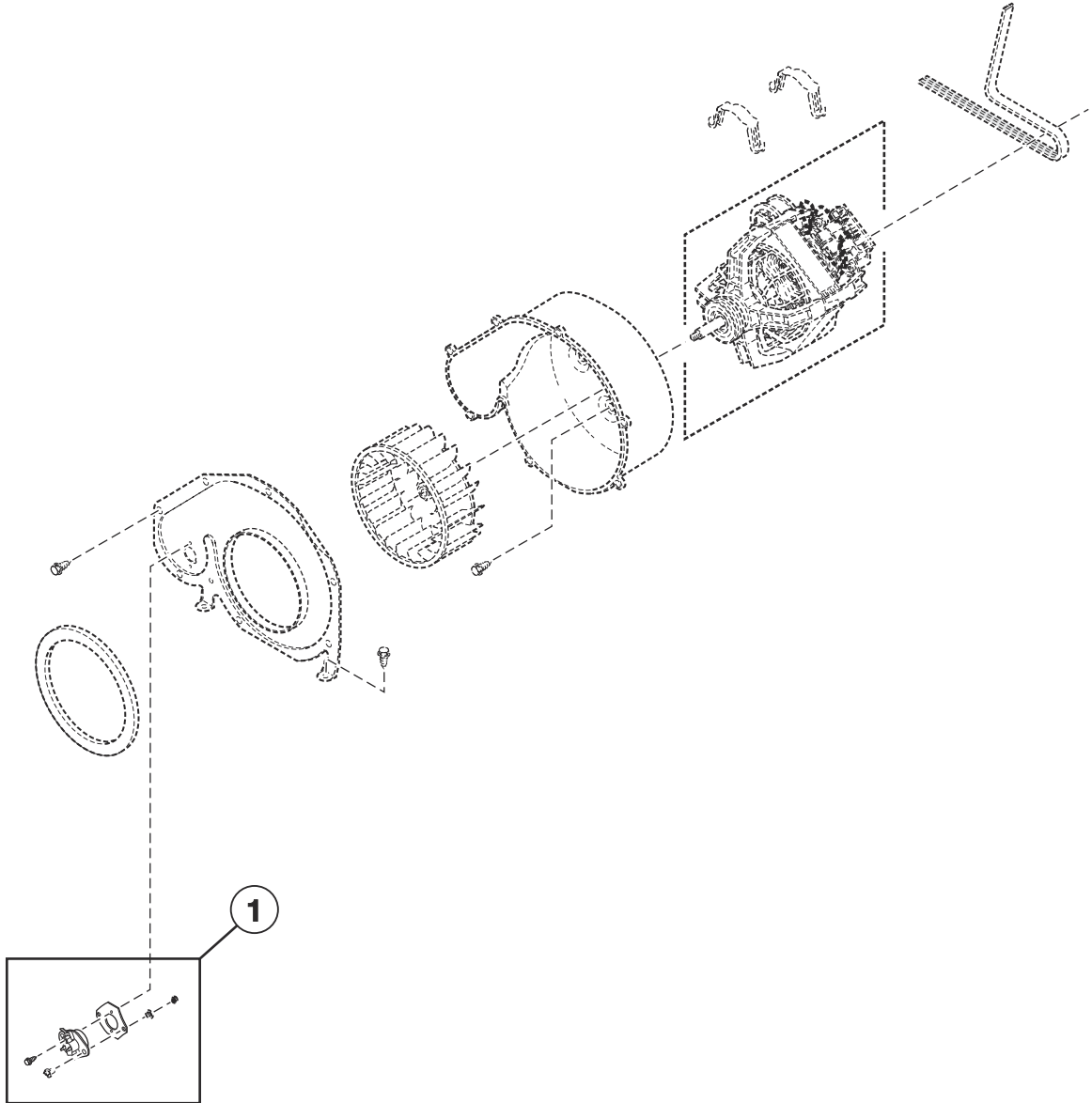


DRY2613P_D518516

Thermistor (Drawing 1 of 3)

REF	PART NO.	DESCRIPTION	COMMENTS
1	D502535	Screw	
2	M414704	Thermistor	Models BD3NGBGS403UW01, BD3NGBSS403UN01, BD3NXAGS403UW01, JDEJGAGS303EW01, JDEJGAGW303EW01, JDEJRAGW303EW01, JDEJXAGW303EW01, JDEVGAGS303EW01, JDEVVAGS303EW01, JDGJGAGS303EW01, JDGJGAGW303EW01, JDGJRAGS303EW01, JDGJRAGW303EW01, JDGJXAGW303EW01, JDGVGAGS303EW01, ND3NLBGS403NW22, ND3NLBGS403UG01, ND3NLBGS403UG01, ND3NLBGS403UG01, ND3NLBGS403UN01, ND3NLBSS403UN01, ND3NXAGS403UG01, ND3NXAGS403UN01, ND3NXASS403UN01, NDENGBGS303UG01, NDENXAGS303UG01, NDENXAGS303UW01, NDGNXAGS303EW01, NDGNXAGS303UG01, PD3JGBGS403UG01, PD3JXAGS403UG01, PDEJGBGS303UG01, PDGJGBGS303UG01, PDGJXAGS303UG01, SD3NGBGS403UG01, SD3NGBGS403UN01, SD3NLBGS403UG01, SD3NLBGS403UN01, SD3NXAGS403UG01, SD3NXAGS403UN01, SD3RGBGS403UG01, SDENGBGS303UG01, SDENLBGS303UG01, SDENXAGS303UG01, SDENXRG433AW01, SDENXRG433LW01, SDENYRG433NW22, SDERXAGS303UG01, SDERXAGS433AW01, SDERXRG433AW01, SDGNXAGS303AW01, SDGNXAGS303BW01, SDGNXAGS303EG01, SDGNXRG433AW01, SDGWXAGS303BW01, SDLNXRG433LW01 and TD3NGBGS403NW36
3	D502194	Thermostat Cover	Models BD3NGBGS403UW01, BD3NGBSS403UN01, BD3NXAGS403UW01, JDEJGAGS303EW01, JDEJGAGW303EW01, JDEJRAGS303EW01, JDEJRAGW303EW01, JDEJXAGW303EW01, JDEVGAGS303EW01, JDEVVAGS303EW01, JDGJGAGS303EW01, JDGJGAGW303EW01, JDGJRAGS303EW01, JDGJRAGW303EW01, JDGJXAGW303EW01, JDGVGAGS303EW01, ND3NLBGS403NW22, ND3NLBGS403UG01, ND3NLBGS403UG01, ND3NLBGS403UN01, ND3NLBSS403UN01, ND3NXAGS403UG01, ND3NXAGS403UN01, ND3NXASS403UN01, NDENGBGS303UG01, NDENXAGS303UG01, NDENXAGS303UW01, NDGNXAGS303EW01, NDGNXAGS303UG01, PD3JGBGS403UG01, PD3JXAGS403UG01, PDEJGBGS303UG01, PDGJGBGS303UG01, PDGJXAGS303UG01, SD3NGBGS403UG01, SD3NGBGS403UN01, SD3NLBGS403UG01, SD3NLBGS403UN01, SD3NXAGS403UG01, SD3NXAGS403UN01, SD3RGBGS403UG01, SDENGBGS303UG01, SDENLBGS303UG01, SDENXAGS303UG01, SDENXRG433AW01, SDENXRG433LW01, SDENYRG433NW22, SDERXAGS303UG01, SDERXAGS433AW01, SDERXRG433AW01, SDGNXAGS303AW01, SDGNXAGS303BW01, SDGNXAGS303EG01, SDGNXAGS303UG01, SDGNXRG433AW01, SDGWXAGS303BW01, SDLNXRG433LW01 and TD3NGBGS403NW36

Thermistor (Drawing 2 of 3)

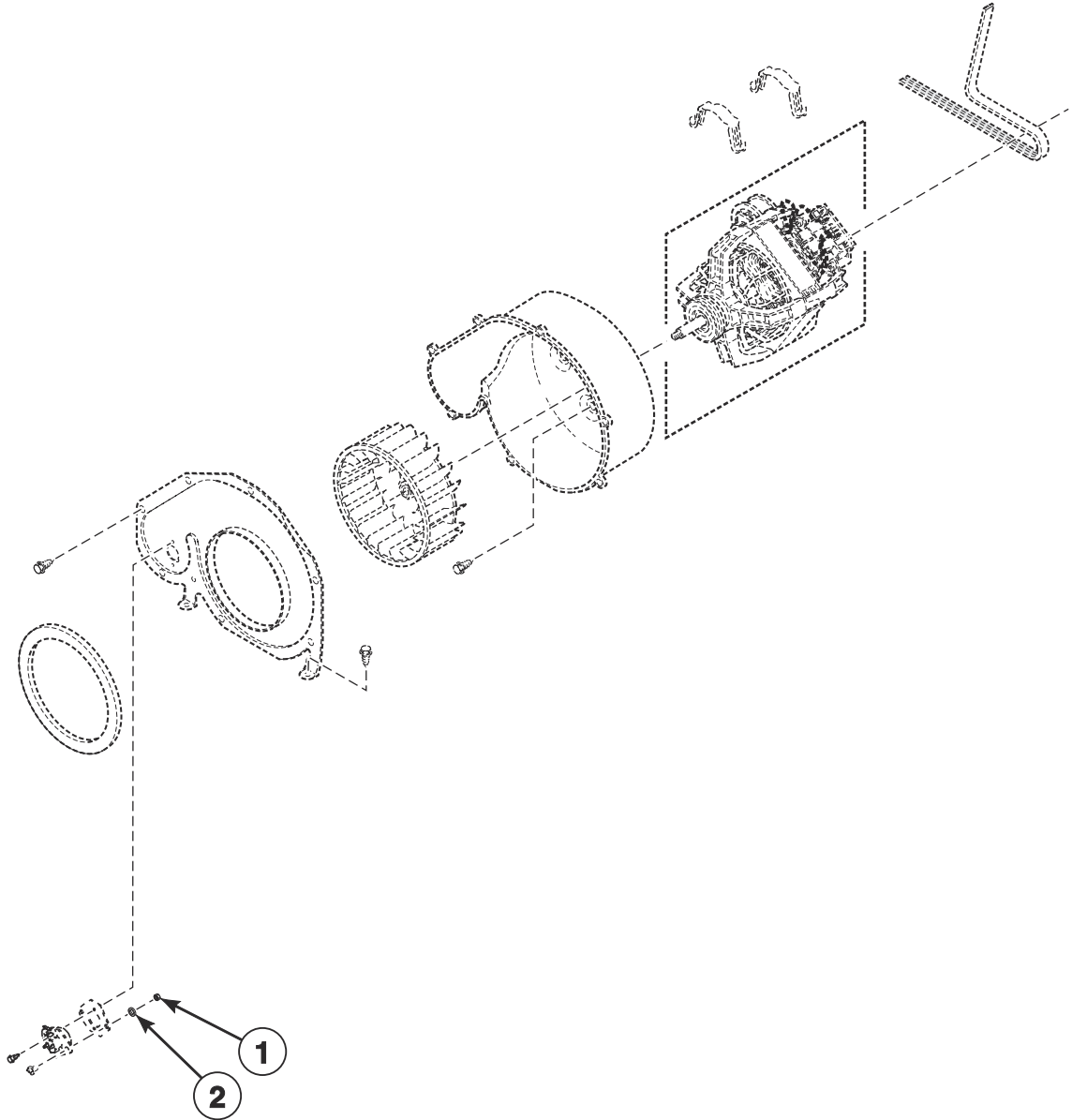


DRY2614P_D518516

Thermistor (Drawing 2 of 3)

REF	PART NO.	DESCRIPTION	COMMENTS
1	D502366	Thermistor Assembly	Models BD3NGBGS403UW01, BD3NGBSS403UN01, BD3NXAGS403UW01, JDEJGAGS303EW01, JDEJGAGW303EW01, JDEJRAGS303EW01, JDEJRAGW303EW01, JDEJXAGW303EW01, JDEVGAGS303EW01, JDEVVAGS303EW01, JDGJGAGW303EW01, JDGJRAGS303EW01, JDGJRAGW303EW01, JDGJXAGW303EW01, JDGVGAGS303EW01, ND3NLBGS403NW22, ND3NLBGS403UG01, ND3NLBGS403UG01, ND3NLBGS403UN01, ND3NLBSS403UN01, ND3NXAGS403UG01, ND3NXAGS403UN01, ND3NXASS403UN01, NDENGBGS303UG01, NDENXAGS303UG01, NDENXAGS303UW01, NDGNLBGS303UG01, NDGNXAGS303EW01, NDGNXAGS303UG01, NDGNXAGS303ZW38, PD3JGBGS403UG01, PD3JXAGS403UG01, PDEJGBGS303UG01, PDGJGBGS303UG01, PDGJXAGS303UG01, SD3JGBGS403UW01, SD3NGBGS403UG01, SD3NGBGS403UN01, SD3NLBGS403UG01, SD3NLBGS403UN01, SD3NXAGS403UG01, SD3NXAGS403UN01, SD3RGBGS403UG01, SDENGBGS303UG01, SDENLBGS303UG01, SDENXAGS303UG01, SDENXRGS433AW01, SDENXRGS433LW01, SDENYRGS303NW22, SDERXAGS303UG01, SDERXAGS433AW01, SDERXRGS433AW01, SDEWXAGS433LW01, SDGNGBGS303UG01, SDGNLBGS303UG01, SDGNXAGS303AW01, SDGNXAGS303BW01, SDGNXAGS303EG01, SDGNXAGS303UG01, SDGNXRGS303AW01, SDGWXAGS303BW01, SDLNXRGS303LW01, SDMNXRGS103JW01 and TD3NGBGS403NW36
	D510523	Thermistor Assembly	All other models

Thermistor (Drawing 3 of 3)

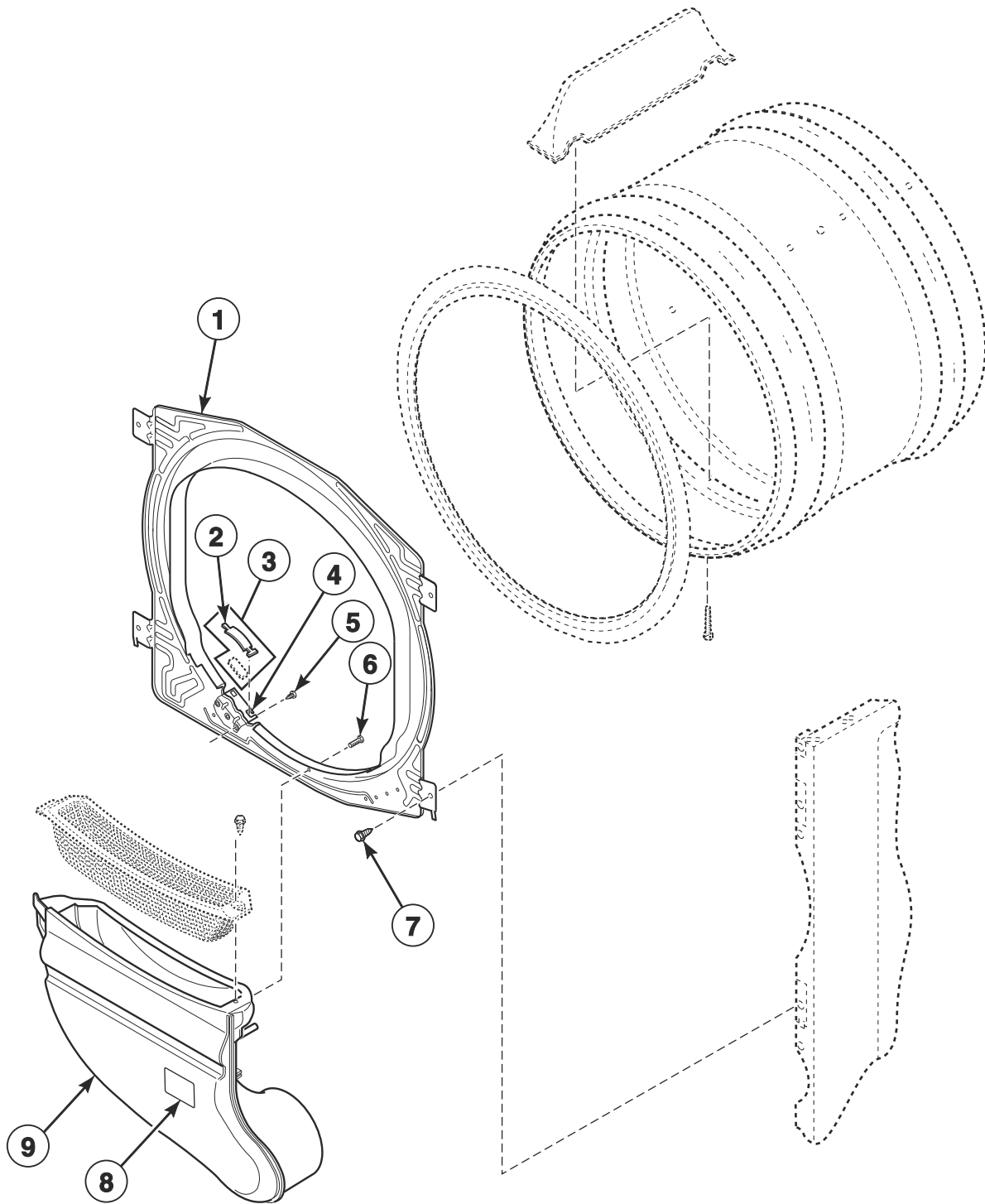


DRY2600P

Thermistor (Drawing 3 of 3)

REF	PART NO.	DESCRIPTION	COMMENTS
1	44087301	Nut	Models BD3NGBGS403UW01, BD3NGBSS403UN01, BD3NXAGS403UW01, JDEJGAGS303EW01, JDEJGAGW303EW01, JDEJRAGS303EW01, JDEJRAGW303EW01, JDEJXAGW303EW01, JDEVGAGS303EW01, JDEVGAGW303EW01, JDEVRAGS303EW01, JDGJGAGS303EW01, JDGJGAGW303EW01, JDGJRAGS303EW01, JDGJRAGW303EW01, JDGJXAGW303EW01, JDGVGAGS303EW01, ND3NLBGS403NW22, ND3NLBGS403UG01, ND3NLBGS403UG01, ND3NLBGS403UN01, ND3NLBSS403UN01, ND3NXAGS403UG01, ND3NXAGS403UN01, ND3NXASS403UN01, NDENGBGS303UG01, NDENXAGS303UG01, NDENXAGS303UW01, NDGNXAGS303EW01, NDGNXAGS303UG01, PD3JGBGS403UG01, PD3JXAGS403UG01, PDEJGBGS303UG01, PDGJGBGS303UG01, PDGJXAGS303UG01, SD3NGBGS403UG01, SD3NGBGS403UN01, SD3NLBGS403UG01, SD3NLBGS403UN01, SD3NXAGS403UG01, SD3RGBGS403UG01, SDENGBGS303UG01, SDENLBGS303UG01, SDENXAGS303UG01, SDENXRGS433AW01, SDENXRGS433LW01, SDENYRGS303NW22, SDERXAGS303UG01, SDERXAGS433AW01, SDERXRGS433AW01, SDGNXAGS303AW01, SDGNXAGS303BW01, SDGNXAGS303EG01, SDGNXRGS303AW01, SDGWXAGS303BW01, SDLNXRGS303LW01 and TD3NGBGS403NW36
2	29443	Washer	Models BD3NGBGS403UW01, BD3NGBSS403UN01, BD3NXAGS403UW01, JDEJGAGS303EW01, JDEJGAGW303EW01, JDEJRAGS303EW01, JDEJRAGW303EW01, JDEJXAGW303EW01, JDEVGAGS303EW01, JDEVGAGW303EW01, JDEVRAGS303EW01, JDGJGAGS303EW01, JDGJGAGW303EW01, JDGJRAGS303EW01, JDGJRAGW303EW01, JDGJXAGW303EW01, JDGVGAGS303EW01, ND3NLBGS403NW22, ND3NLBGS403UG01, ND3NLBGS403UG01, ND3NLBGS403UN01, ND3NLBSS403UN01, ND3NXAGS403UG01, ND3NXAGS403UN01, ND3NXASS403UN01, NDENGBGS303UG01, NDENXAGS303UG01, NDENXAGS303UW01, NDGNXAGS303EW01, NDGNXAGS303UG01, PD3JGBGS403UG01, PD3JXAGS403UG01, PDEJGBGS303UG01, PDGJGBGS303UG01, PDGJXAGS303UG01, SD3NGBGS403UG01, SD3NGBGS403UN01, SD3NLBGS403UG01, SD3NLBGS403UN01, SD3NXAGS403UG01, SD3RGBGS403UG01, SDENGBGS303UG01, SDENLBGS303UG01, SDENXAGS303UG01, SDENXRGS433AW01, SDENXRGS433LW01, SDENYRGS303NW22, SDERXAGS303UG01, SDERXAGS433AW01, SDERXRGS433AW01, SDGNXAGS303AW01, SDGNXAGS303BW01, SDGNXAGS303EG01, SDGNXRGS303AW01, SDGWXAGS303BW01, SDLNXRGS303LW01 and TD3NGBGS403NW36

Front Bulkhead, Air Duct and Felt Seal (Drawing 1 of 2)

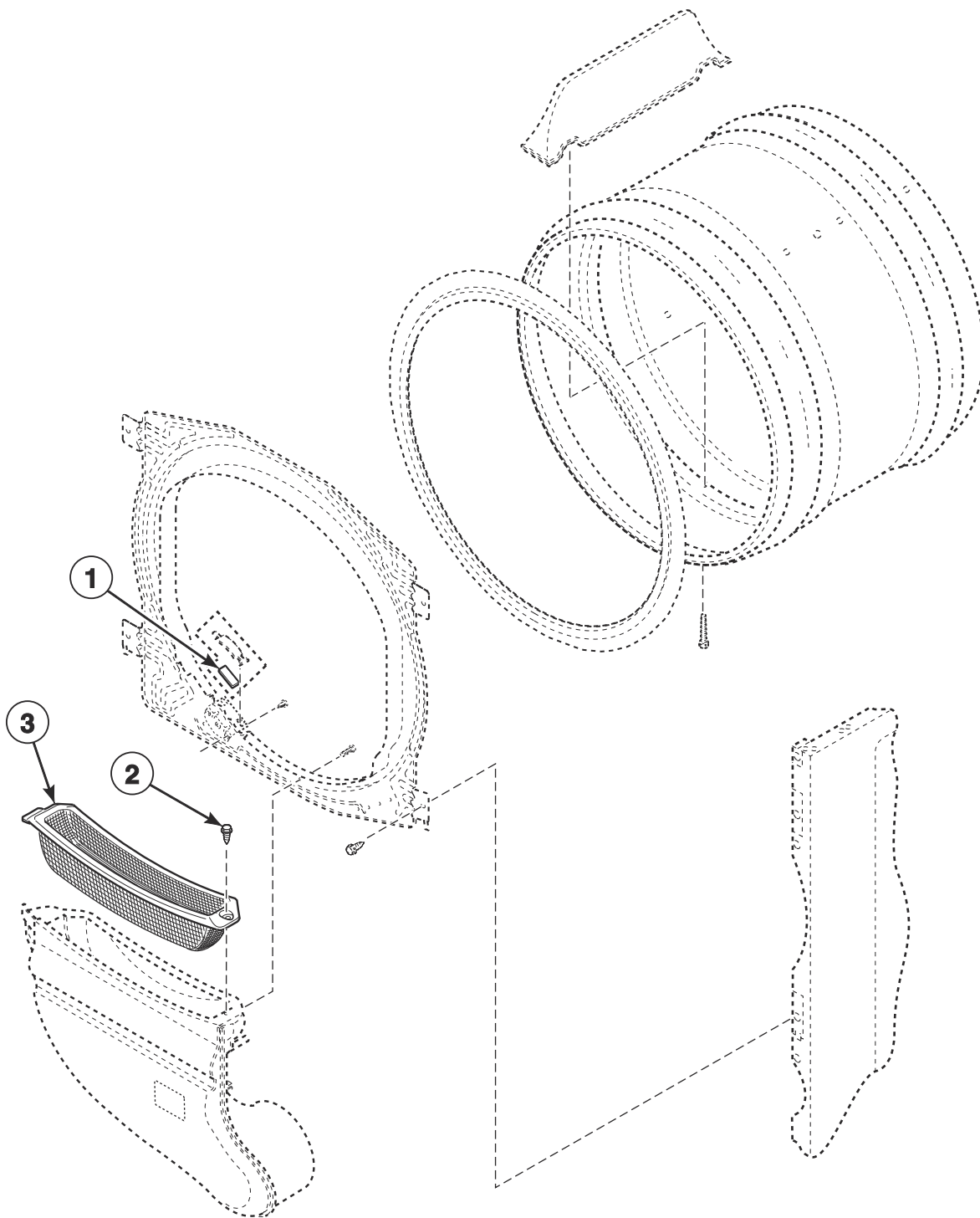


DRY1910P_D518516

Front Bulkhead, Air Duct and Felt Seal (Drawing 1 of 2)

REF	PART NO.	DESCRIPTION	COMMENTS
1	D510266P	Front Bulkhead Assembly	Unpainted; Includes D510207P Cylinder Seal Assembly and items 2-5 and 12
2	D513710	Cylinder Glide	
3	RB170003	Glide Kit	Includes items 2 and 12; Quantity: 2 of each item
4	D510145	Cylinder Glide Bracket	
5	52864	Screw	
6	D500226	Screw	
7	D503688	Screw	
8	F8211201	Electrical Shock Label	Icon
	F8615701	Pinch Warning Label	Icon
	D500049	Warning Label	English
	44324001	Warning Label	English/French
	D500314	Warning Label	French
9	D518433	Air Duct Assembly	Light gray; Models BD3NGBGS403UW01, BD3NGBSS403UN01, BD3NXAGS403UW01, HDENEAGS173CW01, HDENEAGS176CW01, HDENERGS173CW01, HDENERGS176CW01, HDENXAGS173CW01, HDENXAGS176CW01, HDENXAGS176CWSS, HDENXAGS543DW01, HDENXRGs173CW01, HDENXRGs176CW01, HDENXRGs176CWSS, HDENYAGS173CW01, HDENYAGS176CW01, HDENYAGS176CWSS, HDENYRGs173CW01, HDENYRGs176CW01, HDENYRGs176CWSS, HDGNERGS113CW01, HDGNERGS116CW01, HDGNXAGS123DW01, ND3NLBGS403UG01, ND3NLBGS403UG01, ND3NLBGS403UG01, ND3NLBSS403UN01, ND3NXAGS403UG01, ND3NXAGS403UN01, ND3NXASS403UN01, NDGNLBGS303UG01, SD3NGBGS403UG01, SD3NLBGS403UG01, SD3NXAGS403UG01, SD3NXAGS403UN01, SD3RGBGS403UG01, SDGNBGS303UG01 and SDGNLBGS303UG01
	D518432	Air Duct Assembly	White; Models HDGNXAGS113CW01, HDGNXAGS116CW01, HDGNXAGS116CWSS, HDGNXRGs113CW01, HDGNXRGs116CW01, HDGNYAGS113CW01, HDGNYAGS116CW01, HDGNYRGs113CW01, HDGNYRGs116CW01, NDENXAGS173MW01, NDGNXAGS113MW01, SDMNXRGs083JW01 and SDMNXRGs103JW01
	D518430	Air Duct Assembly	Models ND3NLBSS403UN01, SD3NGBGS403UN01 and SD3NLBGS403UN01
	D518431	Air Duct Assembly	All other models

Front Bulkhead, Air Duct and Felt Seal (Drawing 2 of 2)

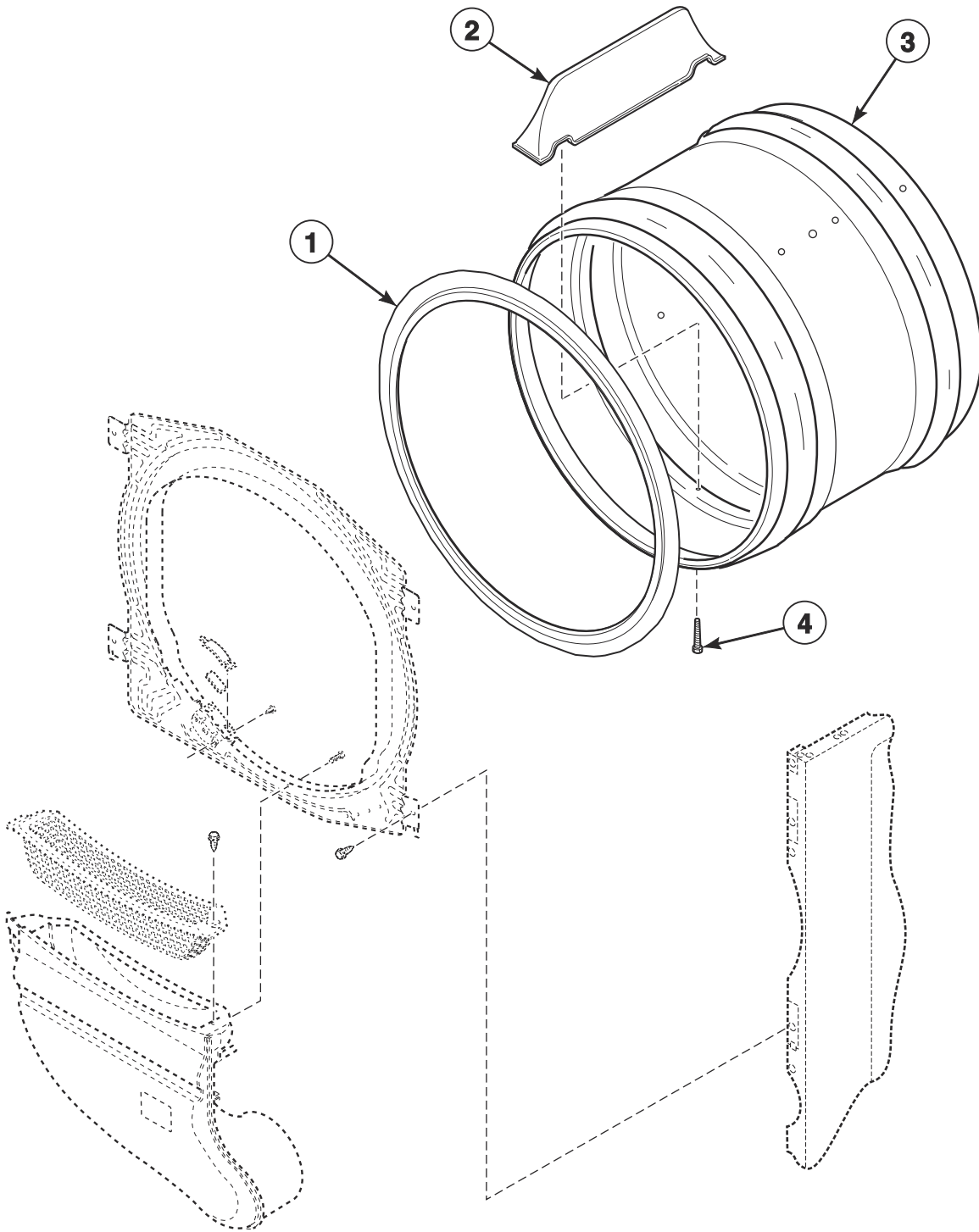


DRY1910PB_D518516

Front Bulkhead, Air Duct and Felt Seal (Drawing 2 of 2)

REF	PART NO.	DESCRIPTION	COMMENTS
1	D510189	Felt Pad	
2	D501285	Screw	
3	D503980LG	Lint Filter	Light gray

Cylinder Assembly

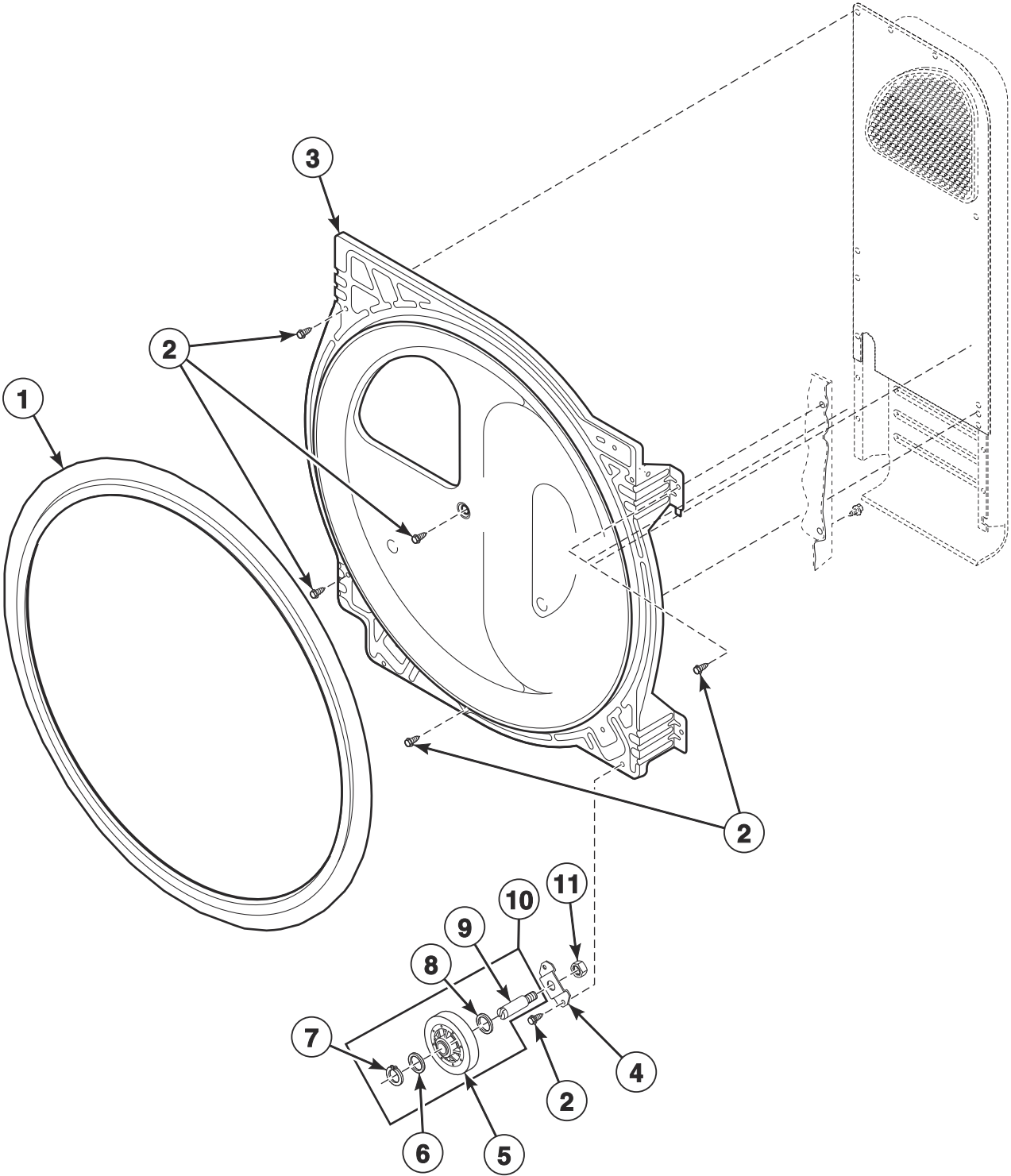


DRY1910PA_D518516

Cylinder Assembly

REF	PART NO.	DESCRIPTION	COMMENTS
1	D510207P	Cylinder Seal Assembly	Apply adhesive when installing
	D511637P	Adhesive	Apply to cylinder seal
	RB170001	Seal Kit	Includes 2 cylinder seals, D510238P Blower Housing Seal and Adhesive
2	D510102LG	Cylinder Baffle	Light gray; Models BD3NGBSS403UN01, HDENEAGS173CW01, HDENEAGS176CW01, HDENERGS173CW01, HDENERGS176CW01, HDENXAGS173CW01, HDENXAGS176CW01, HDENXAGS176CWSS, HDENXRGS173CW01, HDENXRGS176CW01, HDENXRGS176CWSS, HDENYAGS173CW01, HDENYAGS176CW01, HDENYAGS176CWSS, HDENYRGS173CW01, HDENYRGS176CW01, HDENYRGS176CWSS, ND3NLBGS403UG01, ND3NLBGS403UG01, ND3NLBGS403UN01, ND3NLBSS403UN01, ND3NXAGS403UN01, ND3NXASS403UN01, SD3NGBGS403UG01, SD3NGBGS403UN01, SD3NLBGS403UG01, SD3NLBGS403UN01 and SD3NXAGS403UN01
	D510102W	Cylinder Baffle	White; All other models
3	D505929LGP	Cylinder Assembly	Stainless steel; Includes item 2; Models BD3NGBSS403UN01, ND3NLBSS403UN01 and ND3NXASS403UN01
	D510265LGP	Cylinder Assembly	Galvanized; Includes item 2; Models HDENEAGS173CW01, HDENEAGS176CW01, HDENERGS173CW01, HDENERGS176CW01, HDENXAGS173CW01, HDENXAGS176CW01, HDENXAGS176CWSS, HDENXRGS173CW01, HDENXRGS176CW01, HDENXRGS176CWSS, HDENYAGS173CW01, HDENYAGS176CW01, HDENYAGS176CWSS, HDENYRGS173CW01, HDENYRGS176CW01, HDENYRGS176CWSS, ND3NLBGS403UN01, ND3NXAGS403UN01, SD3NGBGS403UN01, SD3NLBGS403UN01 and SD3NXAGS403UN01
	D510265WP	Cylinder Assembly	Galvanized; Includes item 2; All other models
4	62588	Screw	

Rear Bulkhead, Felt Seal and Cylinder Roller



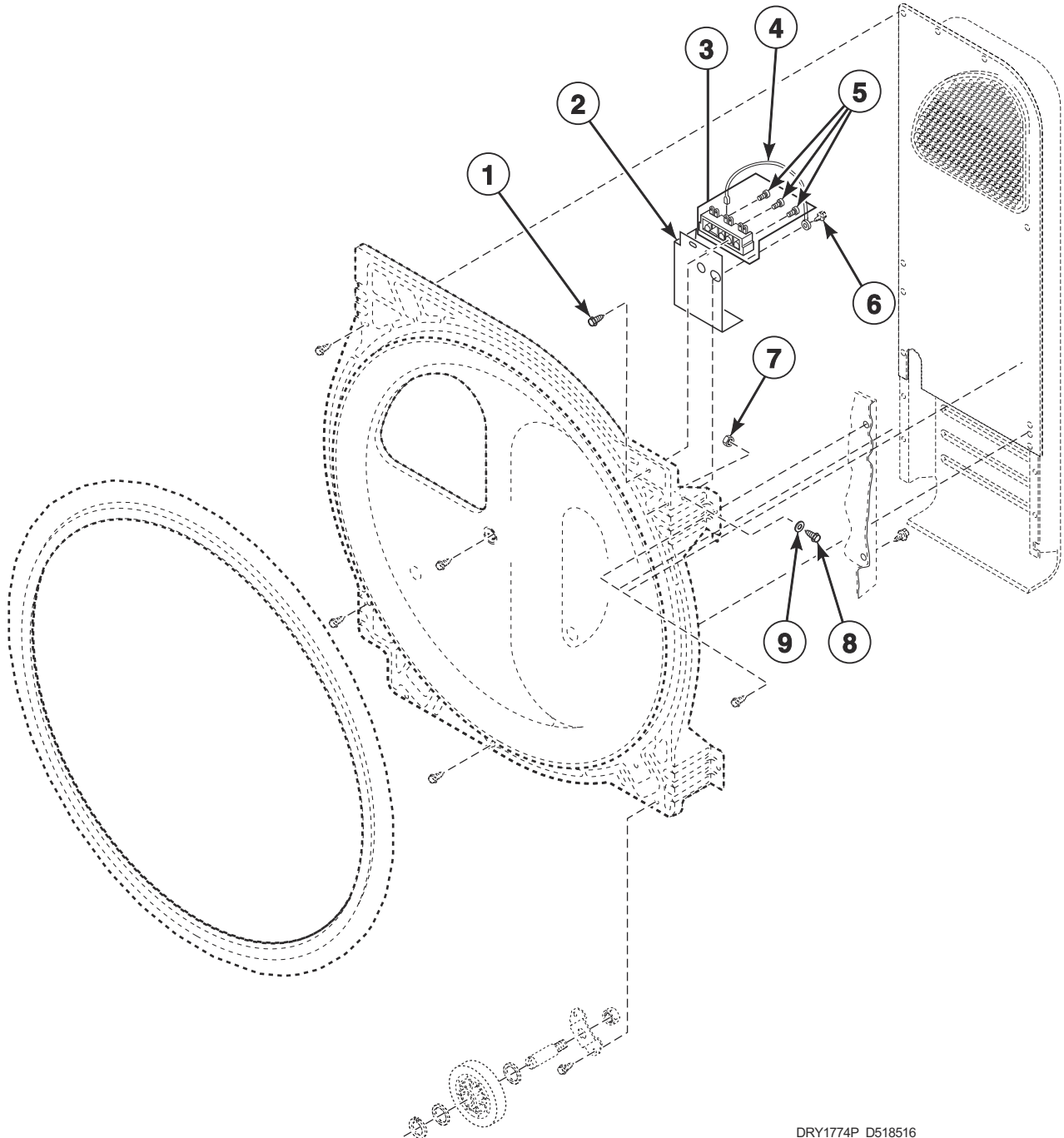
DRY2138P_D518516

Rear Bulkhead, Felt Seal and Cylinder Roller

REF	PART NO.	DESCRIPTION	COMMENTS
1	D510207P	Cylinder Seal Assembly	Apply adhesive when installing
	D511637P	Adhesive	Apply to cylinder seal
	RB170001	Seal Kit	Includes 2 cylinder seals, D510238P Blower Housing Seal and Adhesive
2	M405188	Screw	Models BD3NGBSS403UN01, ND3NLBGS403UG01, ND3NLBGS403UG01, ND3NLBGS403UG01, ND3NLBGS403UN01, ND3NLBSS403UN01, ND3NXAGS403UN01, ND3NXASS403UN01, SD3NGBGS403UG01, SD3NGBGS403UN01, SD3NLBGS403UG01, SD3NLBGS403UN01 and SD3RGBGS403UG01
	D503688	Screw	All other models
3	D518128	Rear Bulkhead Assembly	Stainless steel; Includes item 1; Models BD3NGBSS403UN01, ND3NLBSS403UN01 and ND3NXASS403UN01
	D511082P	Rear Bulkhead Assembly	Galvanized; Includes item 1; All other models
4	D510100	Cylinder Roller Bracket	
5	D510708P	Cylinder Roller	
6	52549	Washer	
7	23748	Retaining Ring	
8	D504082	Washer	
9	56461P	Shaft	
10	RB170002	Roller Kit	Includes items 5-9
11	56156	Nut	

Terminal Block

Models BD3NGBGS403UW01, BD3NGBSS403UN01, BD3NXAGS403UW01, HDENEAGS173CW01, HDENEAGS176CW01, HDENERGS173CW01, HDENERGS176CW01, HDENXAGS173CW01, HDENXAGS176CW01, HDENXAGS176CWSS, HDENXAGS543DW01, HDENXRGs173CW01, HDENXRGs176CW01, HDENXRGs176CWSS, HDENYAGS173CW01, HDENYAGS176CW01, HDENYAGS176CWSS, HDENYRGs173CW01, HDENYRGs176CW01, JDEJGAGS303EW01, JDEJGAGW303EW01, JDEJRAGS303EW01, JDEJRAGW303EW01, JDEJXAGW303EW01, JDEVGAGS303EW01, JDEVRAGS303EW01, JDGJGAGS303EW01, JDGJGAGW303EW01, JDGJRAGS303EW01, JDGJRAGW303EW01, JDGJXAGW303EW01, JDGVGAGS303EW01, ND3NXAGS403UG01, NDENBGS303UG01, NDENXAGS173MW01, NDENXAGS303UG01, NDENXAGS303UW01, PD3JGBGS403UG01, PD3JXAGS403UG01, PDEJGBGS303UG01, SD3NXAGS403UG01, SD3NXAGS403UN01, SDEJXAGS553UG16, SDENBGS303UG01, SDENBGS543ZG01, SDENLBGS303UG01, SDENLBGS543ZG01, SDENXAGS303UG01, SDENXAGS543DW01, SDENXAGS543RW01, SDENXRGs433AW01, SDENXRGs433LW01, SDERXAGS303UG01, SDERXAGS433AW01, SDERXAGS543DW01, SDERXRGs433AW01 and SDEWXAGS433LW01



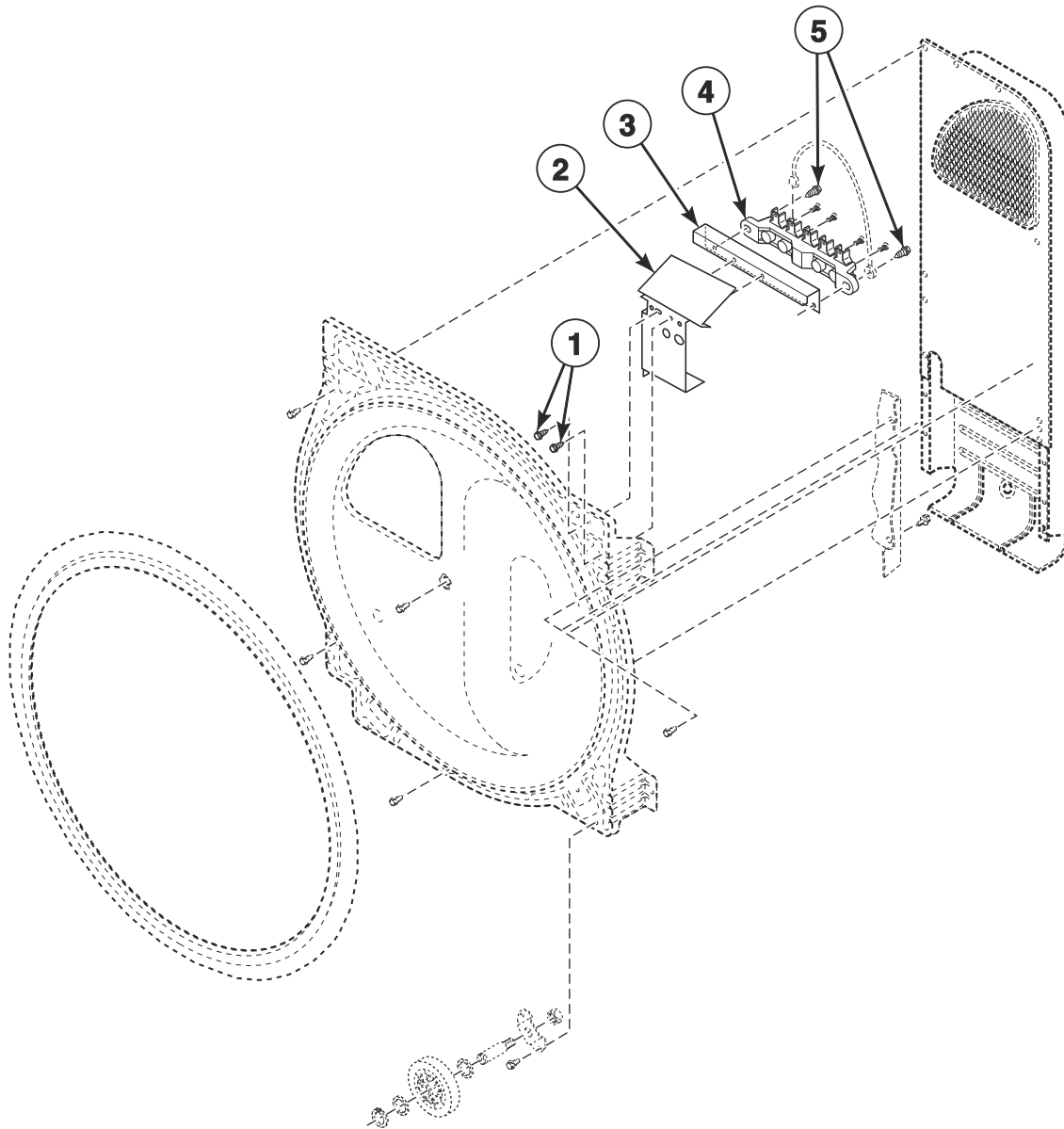
DRY1774P_D518516

Terminal Block

REF	PART NO.	DESCRIPTION	COMMENTS
1	D501285	Screw	
2	D517715	Terminal Block Shield	Models HDENXAGS543DW01, JDEJGAGS303EW01, JDEJGAGW303EW01, JDEJRAGS303EW01, JDEJRAGW303EW01, JDEJXAGW303EW01, JDEV RAGS303EW01, JDGJRAGS303EW01, JDGJRAGW303EW01, NDENXAGS303UG01, NDENXAGS303UW01, PDEJGBGS303UG01, SDENLBGS543ZG01, SDENXAGS303UG01, SDENXAGS543DW01, SDENXAGS543RW01, SDENX RGS433AW01, SDENX RGS433LW01, SDERXAGS543DW01, SDERX RGS433AW01 and SDEWXAGS433LW01
3	D505876	Terminal Block Assembly	Includes 3 of item 5; Models BD3NGBGS403UW01, BD3NGBSS403UN01, BD3NXAGS403UW01, ND3NXAGS403UG01, PD3JGBGS403UG01, SD3NXAGS403UG01 and SD3NXAGS403UN01
	D510190P	Terminal Block Assembly	Includes 3 of item 5; All other models
4	D518257	Ground Wire Assembly	Models BD3NGBGS403UW01, BD3NGBSS403UN01, BD3NXAGS403UW01, HDENXAGS543DW01, JDEJGAGW303EW01, JDEJRAGW303EW01, JDEJXAGW303EW01, ND3NXAGS403UG01, NDENGBGS303UG01, NDENXAGS303UG01, NDENXAGS303UW01, PD3JGBGS403UG01, PD3JXAGS403UG01, PDEJGBGS303UG01, SD3NXAGS403UG01, SD3NXAGS403UN01, SDEJXAGS553UG16, SDENGBGS303UG01, SDENGBGS543ZG01, SDENLBGS303UG01, SDENLBGS543ZG01, SDENXAGS303UG01, SDERXAGS303UG01 and SDERXAGS433AW01
5	61199	Screw	
6	D503688	Screw	
7	28447	Nut	
8	28448	Screw	
9	28449	Washer	

Terminal Block - 3 Phase Electric Models

Models ND3NLBGS403NW22, SDENGBGS543ZG01 and TD3NGBGS403NW36



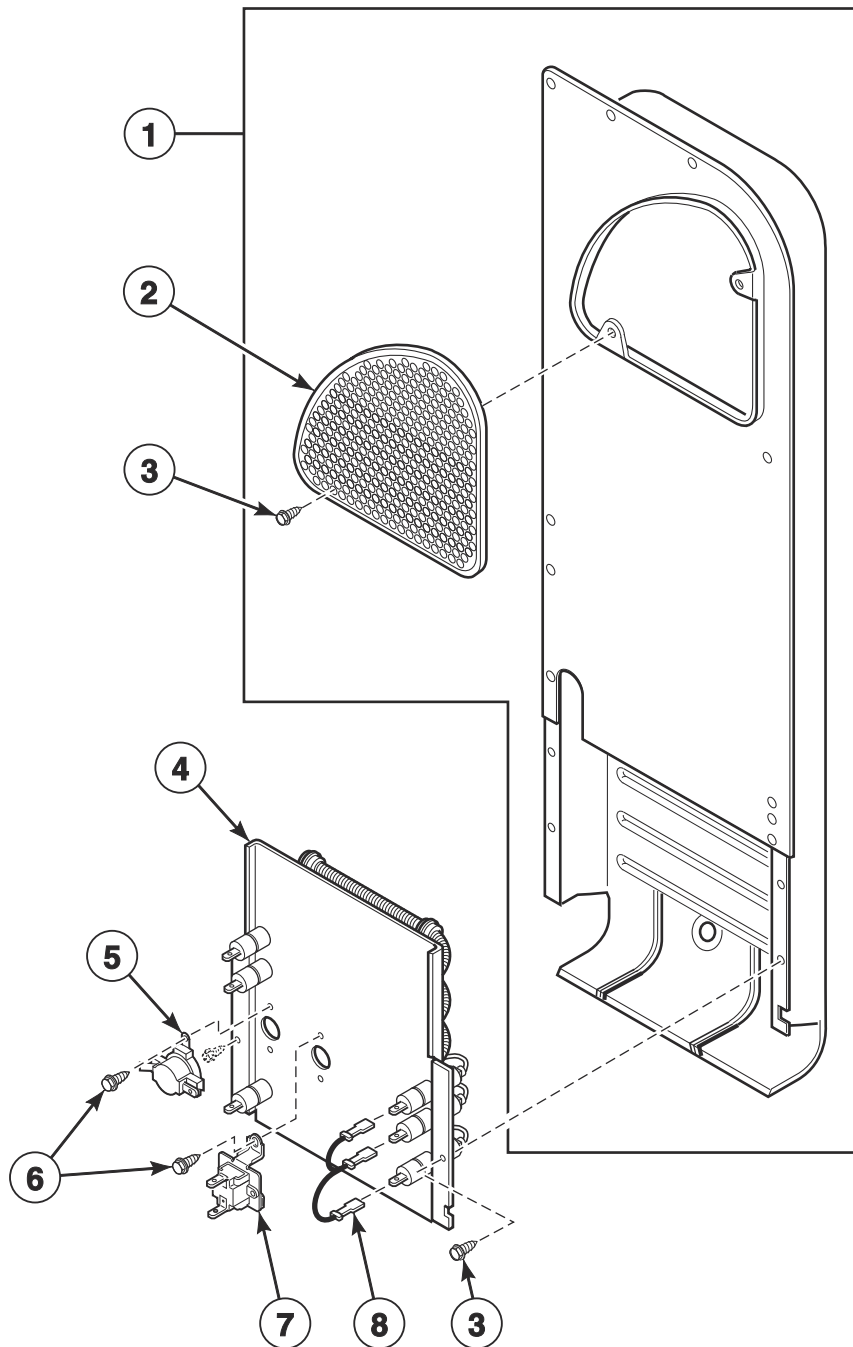
DRY9B_D518516

Terminal Block - 3 Phase Electric Models

REF	PART NO.	DESCRIPTION	COMMENTS
1	20530	Screw	
2	D517715	Terminal Block Shield	
3	D505875	Terminal Block Support Bracket	
4	D505876	Terminal Block Assembly	
5	D503661	Screw	

Heater Duct Assembly - 3 Phase Electric Models

Models BD3NGBGS403UW01, BD3NGBSS403UN01, BD3NXAGS403UW01, ND3NLBGS403NW22, ND3NLBGS403UG01, ND3NLBGS403UG01, ND3NLBGS403UG01, ND3NLBGS403UN01, ND3NLBSS403UN01, ND3NXAGS403UG01, ND3NXAGS403UN01, ND3NXASS403UN01, PD3JGBGS403UG01, PD3JXAGS403UG01, SD3JGBGS403UW01, SD3NGBGS403UG01, SD3NGBGS403UN01, SD3NLBGS403UG01, SD3NLBGS403UN01, SD3NXAGS403UG01, SD3NXAGS403UN01, SD3RGBGS403UG01, SDENLBGS543ZG01 and TD3NGBGS403NW36



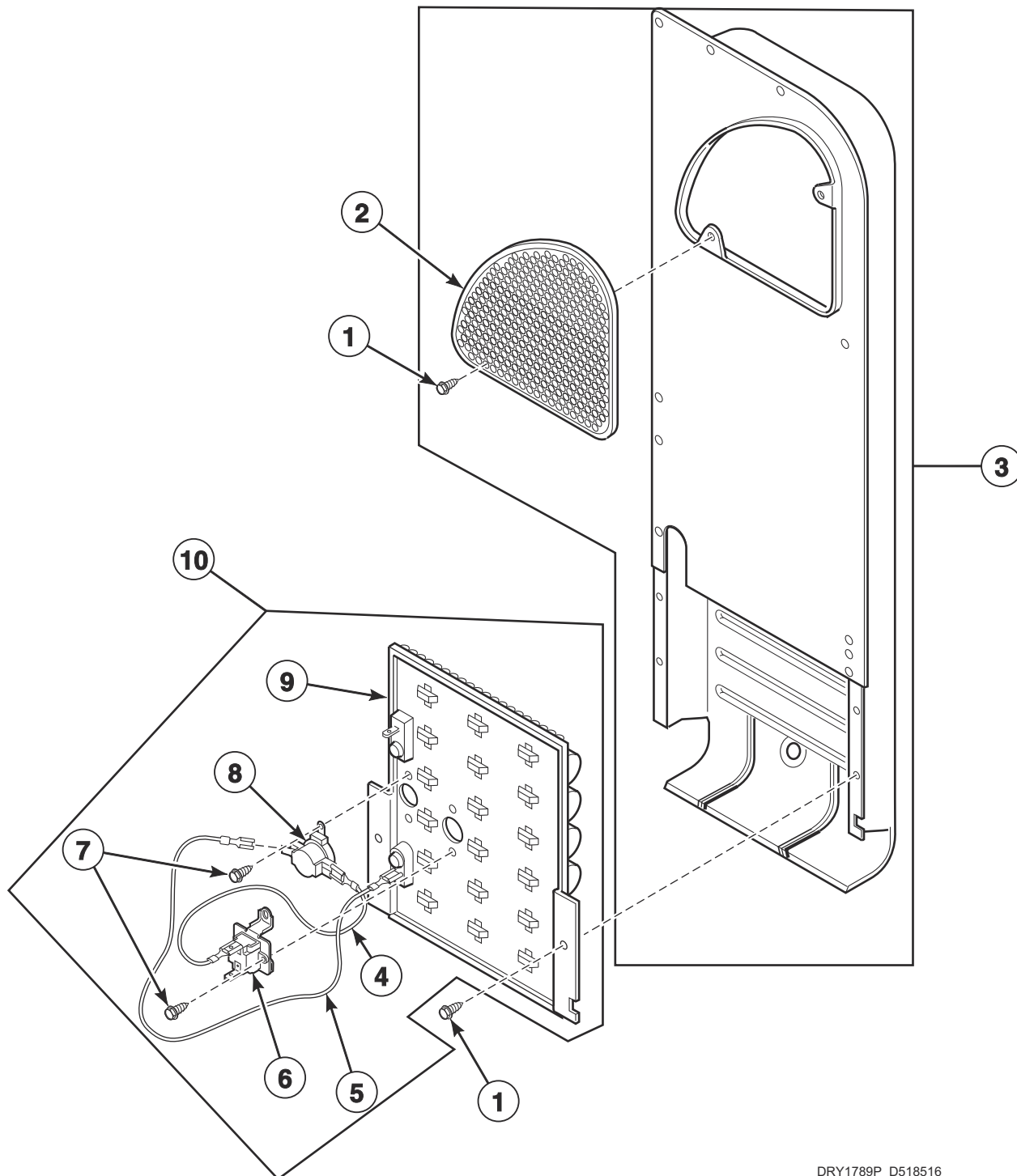
DRY2360P_D518516

Heater Duct Assembly - 3 Phase Electric Models

REF	PART NO.	DESCRIPTION	COMMENTS
	756P3	Conversion Kit	400 Volt, 4 wire WYE to 240 Volt, 3 wire Delta
1	D510705P	Heater Duct Assembly	Includes items 2 and 3
2	D500820	Outlet Cover	
	D518524	Outlet Cover	Black
3	D503688	Screw	
4	D511014P	Heater	400 Volt/3 Phase
5	D510701	Limit Thermostat	
6	23222	Screw	
7	D518649	Thermal Fuse Assembly	
8	D518529	Jumper Wire Assembly	3 Phase

Heater Duct and Element Assembly - 1 Phase Electric Models

Models HDENEAGS173CW01, HDENEAGS176CW01, HDENERGS173CW01, HDENERGS176CW01, HDENXAGS173CW01, HDENXAGS176CW01, HDENXAGS176CWSS, HDENXAGS543DW01, HDENXRGS173CW01, HDENXRGS176CW01, HDENXRGS176CWSS, HDENYAGS173CW01, HDENYAGS176CW01, HDENYAGS176CWSS, HDENYRGS173CW01, HDENYRGS176CW01, HDENYRGS176CWSS, JDEJGAGS303EW01, JDEJGAGW303EW01, JDEJRAGS303EW01, JDEJRAGW303EW01, JDEJXAGW303EW01, JDEVGAGS303EW01, JDEVGRGS303EW01, NDENGBGS303UG01, NDENXAGS173MW01, NDENXAGS303UG01, NDENXAGS303UW01, PDEJGBGS303UG01, SDEJXAGS553UG16, SDENGBGS303UG01, SDENGBGS543ZG01, SDENLBGS303UG01, SDENLBGS543ZG01, SDENXAGS303UG01, SDENXAGS543DW01, SDENXAGS543RW01, SDENXRGS433AW01, SDENXRGS433LW01, SDENYRGS303NW22, SDERXAGS303UG01, SDERXAGS433AW01, SDERXAGS543DW01, SDERXRGS433AW01 and SDEWXAGS433LW01



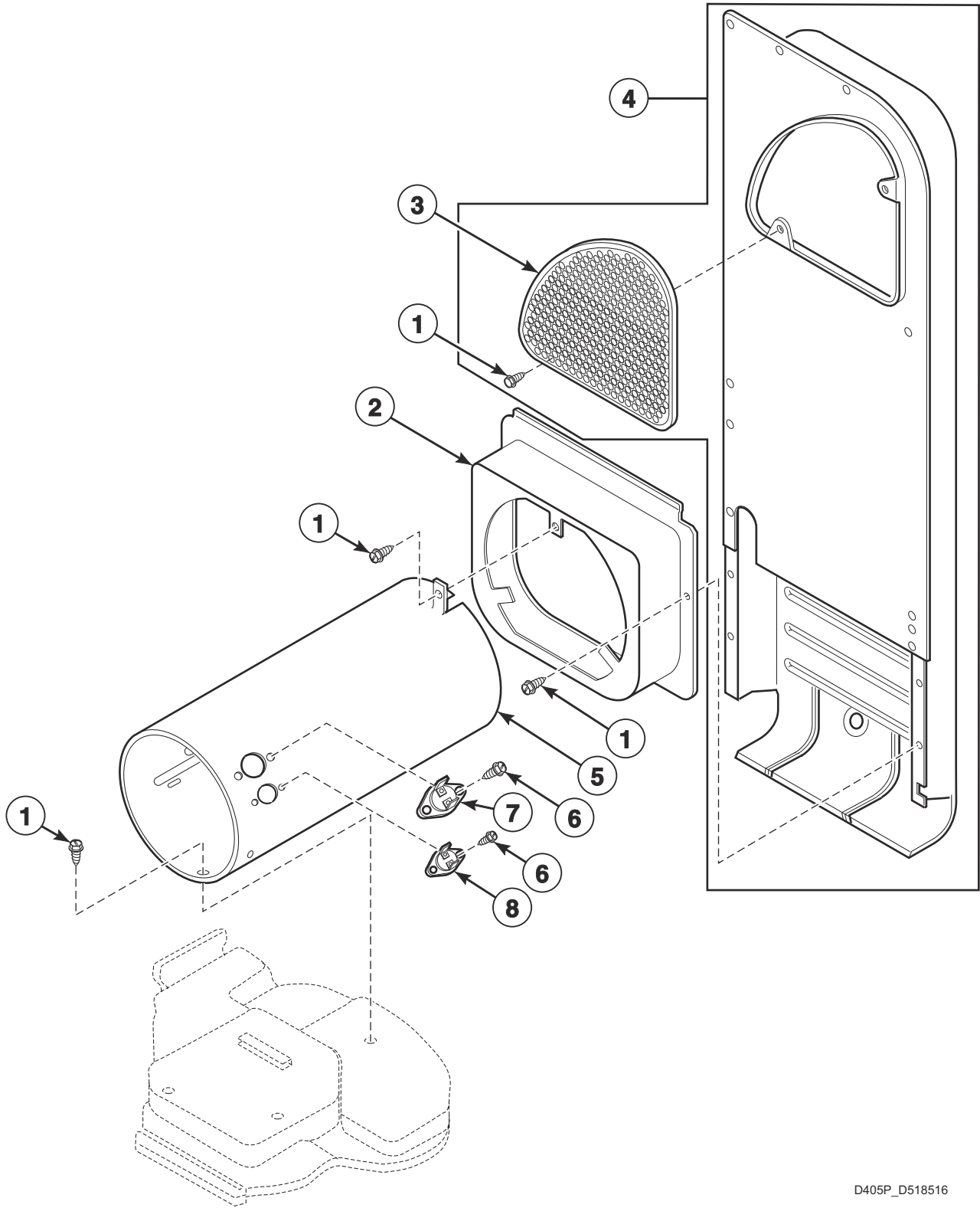
DRY1789P_D518516

Heater Duct and Element Assembly - 1 Phase Electric Models

REF	PART NO.	DESCRIPTION	COMMENTS
1	D503688	Screw	
2	D518121	Outlet Cover	Slotted; Models SDENXRGS433AW01, SDENXRGS433LW01, SDERXAGS433AW01, SDERXAGS543DW01, SDERXRGS433AW01 and SDEWXAGS433LW01
	D518524	Outlet Cover	All other models; Black
3	D510705P	Heater Duct Assembly	Includes items 1 and 2
4	D518256	Wire Assembly	Orange; Thermostat jumper; Attaches to heater assembly
5	D518255	Wire Assembly	Black; Fuse jumper; Attaches to heater assembly
6	D518649	Thermal Fuse Assembly	
7	23222	Screw	
8	D510700	Limit Thermostat	Model SDEJXAGS553UG16
	D510701	Limit Thermostat	All other models
9	D510329P	Heater Assembly	240 Volt/60 Hertz; 5.35 kW; Models HDENXAGS543DW01, NDENXAGS173MW01, SDENGBGS543ZG01, SDENLBGS543ZG01, SDENXAGS543DW01, SDENXAGS543RW01 and SDERXAGS543DW01
	D510326P	Heater Assembly	240 Volt/50 Hertz; 4.8 kW; Models JDEJGAGS303EW01, JDEJGAGW303EW01, JDEJRAGS303EW01, JDEJRAGW303EW01, JDEJXAGW303EW01, JDEVGAGS303EW01, JDEVRAGS303EW01, NDENGBGS303UG01, NDENXAGS303UG01, NDENXAGS303UW01, PDEJGBGS303UG01, SDENGBGS303UG01, SDENLBGS303UG01, SDENXAGS303UG01, SDENYRGS303NW22 and SDERXAGS303UG01
	D510327P	Heater Assembly	240 Volt/50 Hertz; 4 kW; Models SDENXRGS433AW01, SDENXRGS433LW01, SDERXAGS433AW01, SDERXRGS433AW01 and SDEWXAGS433LW01
	D510328P	Heater Assembly	240 Volt/60 Hertz; 3.1 kW; Model SDEJXAGS553UG16
	D510324P	Heater Assembly	240 Volt/60 Hertz; 5 kW; All other models
10	61927	Heater Kit Assembly	240 Volt/60 Hertz; 5 kW; Includes items 4-9; Models HDENEAGS173CW01, HDENEAGS176CW01, HDENERGS173CW01, HDENERGS176CW01, HDENXAGS173CW01, HDENXAGS176CW01, HDENXAGS176CWSS, HDENXRGS173CW01, HDENXRGS176CW01, HDENXRGS176CWSS, HDENYAGS173CW01, HDENYAGS176CW01, HDENYAGS176CWSS, HDENYRGS173CW01, HDENYRGS176CW01 and HDENYRGS176CWSS
	964P3	Heater Kit	240 Volt/60 Hertz; 5.35 kW; Models HDENXAGS543DW01, NDENXAGS173MW01, SDENXAGS543DW01, SDENXAGS543RW01 and SDERXAGS543DW01
	61929	Heater Kit Assembly	240 Volt/50 Hertz; 4.8 kW; Includes items 4-9; Models JDEJGAGS303EW01, JDEJGAGW303EW01, JDEJRAGS303EW01, JDEJRAGW303EW01, JDEJXAGW303EW01, JDEVGAGS303EW01, JDEVRAGS303EW01, NDENGBGS303UG01, NDENXAGS303UG01, NDENXAGS303UW01, PDEJGBGS303UG01, SDENGBGS303UG01, SDENLBGS303UG01, SDENXAGS303UG01, SDENYRGS303NW22 and SDERXAGS303UG01
	61930	Heater Kit Assembly	240 Volt/50 Hertz; 4 kW; Includes items 4-9; Models SDENXRGS433AW01, SDENXRGS433LW01, SDERXAGS433AW01, SDERXRGS433AW01 and SDEWXAGS433LW01

Heater Duct Assembly

Gas Models



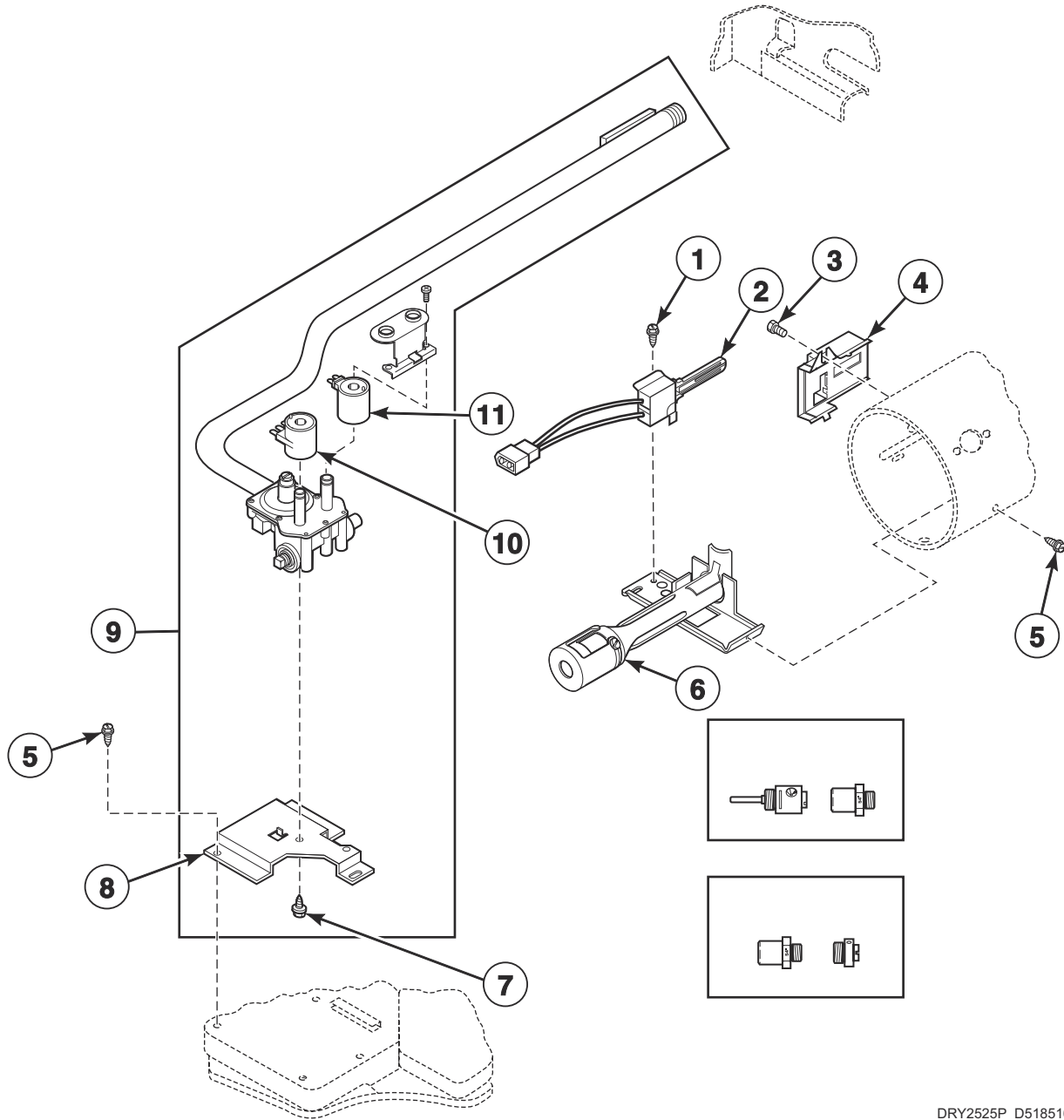
D405P_D518516

Heater Duct Assembly

REF	PART NO.	DESCRIPTION	COMMENTS
1	D503688	Screw	
2	D510101	Heat Duct Shroud	
3	D500820	Outlet Cover	
	D518524	Outlet Cover	Black
4	D510705P	Heater Duct Assembly	Includes items 1 and 3
5	D510132	Combustion Duct	Double thermostat; Models HDGNXAGS123DW01, HDGNXAGS543DW01, JDGJGAGS303EW01, JDGJGAGW303EW01, JDGJRAGS303EW01, JDGJRAGW303EW01, JDGJXAGW303EW01, JDGJXAGW303EW01, JDGJXAGW303EW01, JDGJXAGW303EW01, NDGNLBGS303UG01, NDGNXAGS303EW01, NDGNXAGS303UG01, NDGNXAGS303Z38, PDGJGBGS303UG01, PDGJXAGS303UG01, SDGNBGS303UG01, SDGNLBGS303UG01, SDGNXAGS123DW01, SDGNXAGS303AW01, SDGNXAGS303BW01, SDGNXAGS303EG01, SDGNXAGS303UG01, SDGNXAGS543DW01, SDGNXRG303AW01, SDGNXRG303BW01, SDGNXRG303LW01, SDGNXRG303NW23, SDGNXRG303PW01, SDGNXRG303JW01 and SDGNXRG303JW01
	D510131	Combustion Duct	Single thermostat; All other models
6	51782	Screw	
7	D510702	Limit Thermostat	Black; Auto reset
8	D510703	Thermostat	Manual reset; Models HDGNXAGS123DW01, HDGNXAGS543DW01, JDGJGAGW303EW01, JDGJRAGW303EW01, JDGJXAGW303EW01, NDGNLBGS303UG01, NDGNXAGS303EW01, NDGNXAGS303UG01, NDGNXAGS303Z38, PDGJGBGS303UG01, PDGJXAGS303UG01, SDGNBGS303UG01, SDGNLBGS303UG01, SDGNXAGS123DW01, SDGNXAGS303AW01, SDGNXAGS303BW01, SDGNXAGS303EG01, SDGNXAGS303UG01, SDGNXAGS543DW01, SDGNXRG303AW01, SDGNXRG303BW01, SDGNXRG303LW01, SDGNXRG303NW23, SDGNXRG303PW01, SDGNXRG303JW01 and SDGNXRG303JW01

Gas Valve and Igniter

Gas Models Except SDMNXRGS083JW01 and SDMNXRGS103JW01



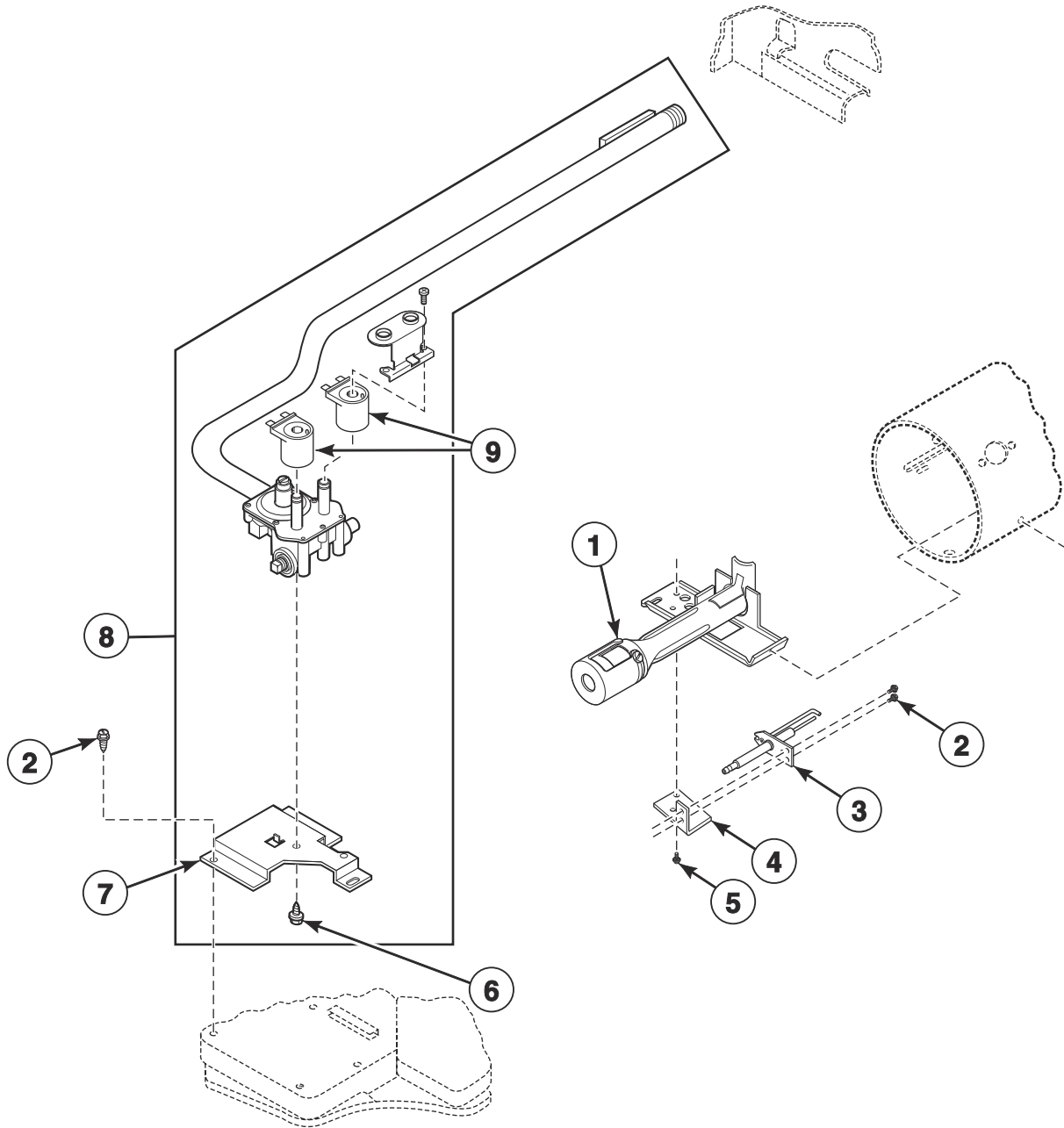
DRY2525P_D518516

Gas Valve and Igniter

REF	PART NO.	DESCRIPTION	COMMENTS
1	51782	Screw	
2	D510184P	Igniter and Bracket Assembly	
3	23222	Screw	
4	D510213	Sensor	
5	D503688	Screw	
6	D510149P	Burner Assembly	
7	56124	Screw	
8	D510128	Gas Valve Mounting Bracket	
9	D517607	Gas Valve, Bracket and Pipe Assembly	50 Hertz; 20,000 Btu; N.G.; Models JDGJGAGS303EW01, JDGJGAGW303EW01, JDGJRAGS303EW01, JDGJRAGW303EW01, JDGJXAGW303EW01, JDGJGAGS303EW01, NDGNLBGS303UG01, NDGNXAGS303EW01, NDGNXAGS303UG01, PDGJGBGS303UG01, PDGJXAGS303UG01, SDGNGBGS303UG01, SDGNLBGS303UG01, SDGNXAGS303BW01, SDGNXAGS303EG01 and SDGNXAGS303UG01
	D517608	Gas Valve, Bracket and Pipe Assembly	50 Hertz; 25,000 Btu; N.G.; Models NDGNXAGS303ZW38, SDGNXAGS303AW01, SDGNXRGs303AW01 and SDGWXAGS303BW01
	D517613	Gas Valve, Bracket and Pipe Assembly	50 Hertz; 25,000 Btu; L.P.; Model SDLNXRGs303LW01
	D517612	Gas Valve, Bracket and Pipe Assembly	60 Hertz; 22,500 Btu; L.P.; Models SDLNXRGs543NW23 and SDLNXRGs543PW01
	D517606	Gas Valve, Bracket and Pipe Assembly	60 Hertz; 25,000 Btu; N.G.; All other models
10	59063A	Booster and Holding Coil	50 Hertz; Models JDGJGAGS303EW01, JDGJGAGW303EW01, JDGJRAGS303EW01, JDGJRAGW303EW01, JDGJXAGW303EW01, JDGJGAGS303EW01, NDGNLBGS303UG01, NDGNXAGS113MW01, NDGNXAGS303EW01, NDGNXAGS303ZW38, PDGJGBGS303UG01, PDGJXAGS303UG01, SDGNGBGS303UG01, SDGNLBGS303UG01, SDGNXAGS303AW01, SDGNXAGS303BW01, SDGNXAGS303EG01, SDGNXAGS303UG01, SDGNXRGs303AW01, SDGWXAGS303BW01 and SDLNXRGs303LW01
	58804A	Booster and Holding Coil	60 Hertz; All other models
11	59063B	Secondary Coil	50 Hertz; Models JDGJGAGS303EW01, JDGJGAGW303EW01, JDGJRAGS303EW01, JDGJRAGW303EW01, JDGJXAGW303EW01, JDGJGAGS303EW01, NDGNLBGS303UG01, NDGNXAGS303EW01, NDGNXAGS303UG01, PDGJGBGS303UG01, PDGJXAGS303UG01, SDGNGBGS303UG01, SDGNLBGS303UG01, SDGNXAGS303AW01, SDGNXAGS303BW01, SDGNXAGS303EG01, SDGNXAGS303UG01, SDGNXRGs303AW01, SDGWXAGS303BW01 and SDLNXRGs303LW01
	58804B	Secondary Coil	60 Hertz; All other models

Gas Valve

Models SDMNXRG083JW01 and SDMNXRG103JW01



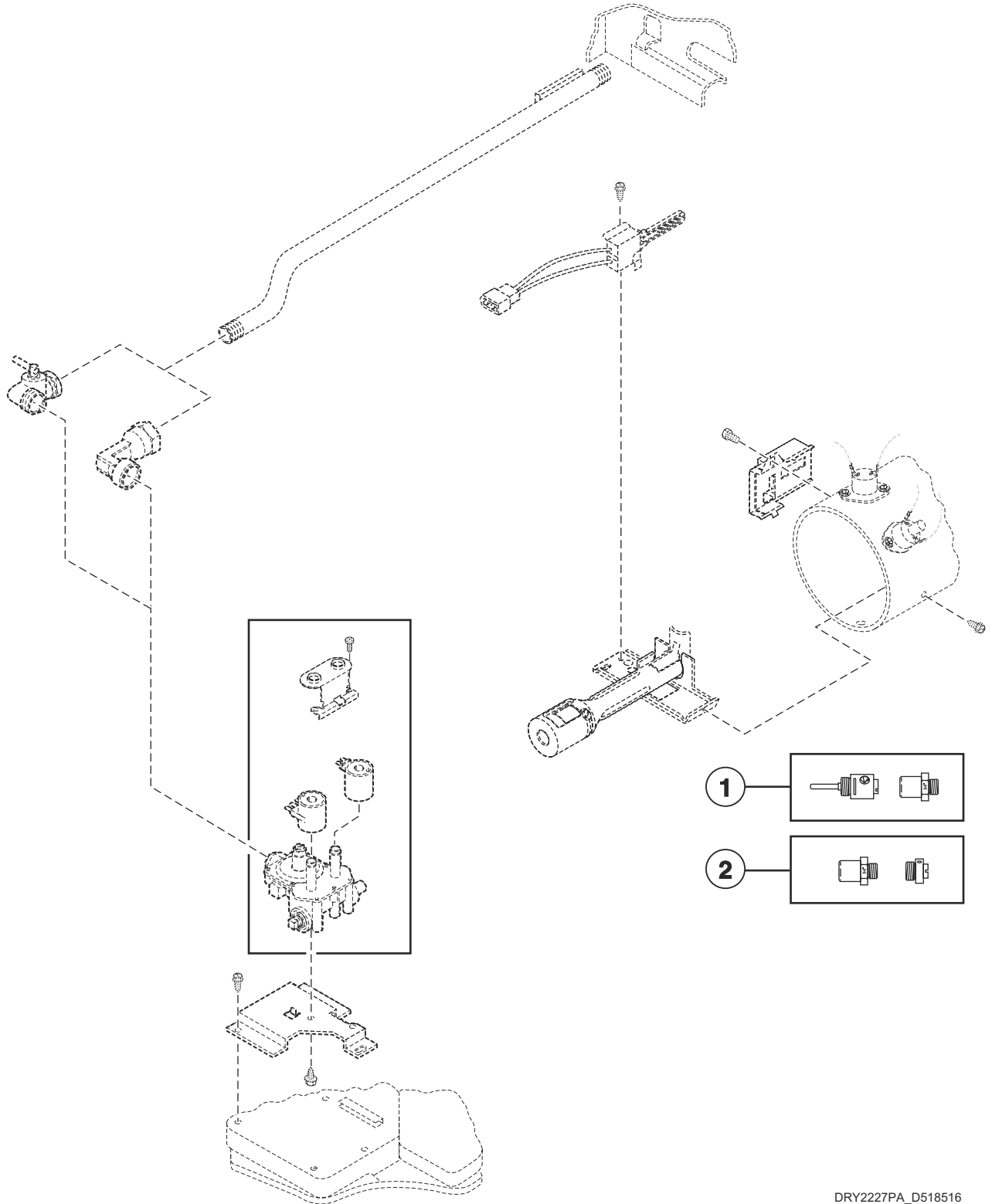
DRY2526P_D518516

Gas Valve

REF	PART NO.	DESCRIPTION	COMMENTS
1	D510149P	Burner Assembly	
2	D503688	Screw	
3	44328701P	Spark Electrode	
4	D516238	Bracket	
5	51782	Screw	
6	56124	Screw	
7	D510128	Gas Valve Mounting Bracket	
8	D517610	Gas Valve, Bracket and Pipe Assembly	50-60 Hertz; 22,500 Btu; Natural Gas (N.G); Includes items 6, 7 and 9
9	D516699	Gas Valve Coil	24 Vac; 50-60 Hertz

Gas Conversion Kits

Gas Models



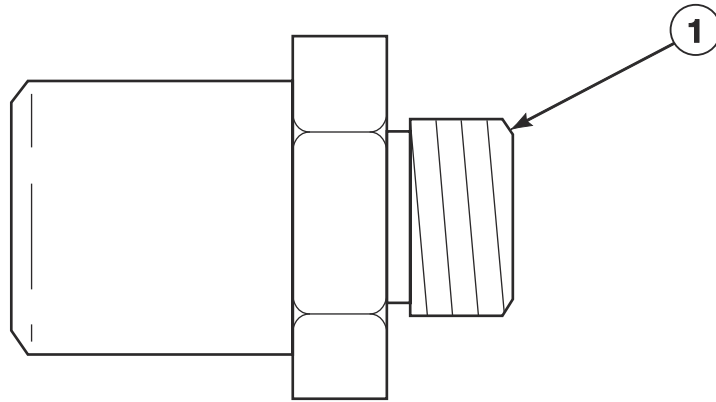
DRY2227PA_D518516

Gas Conversion Kits

REF	PART NO.	DESCRIPTION	COMMENTS
1	649P3	L.P. Conversion Kit	Used to convert dryers from N.G. or Mixed Gas to L.P. for 22,500 Btu; Models SDLNXRGS543NW23, SDLNXRGS543PW01, SDMNXRGS083JW01 and SDMNXRGS103JW01
	599P3	L.P. Conversion Kit	Used to convert dryers from N.G. or Mixed Gas to L.P. for 20,000 Btu; Models JDGJGAGS303EW01, JDGJGAGW303EW01, JDGJRAGS303EW01, JDGJRAGW303EW01, JDGJXAGW303EW01, JDGJGAGS303EW01, NDGNLBGS303UG01, NDGNXAGS303EW01, NDGNXAGS303UG01, PDGJGBGS303UG01, PDGJXAGS303UG01, SDGNGBGS303UG01, SDGNLBGS303UG01, SDGNXAGS303BW01, SDGNXAGS303EG01 and SDGNXAGS303UG01
	458P3	L.P. Conversion Kit	Used to convert dryers from N.G. or Mixed Gas to L.P. for 25,000 Btu; All other models
2	650P3	N.G. Conversion Kit	Used to convert dryers from L.P. to N.G. or Mixed Gas for 22,500 Btu; Models SDLNXRGS543NW23, SDLNXRGS543PW01, SDMNXRGS083JW01 and SDMNXRGS103JW01
	402P3	N.G. Conversion Kit	Used to convert dryers from L.P. to N.G. or Mixed Gas for 20,000 Btu; Models JDGJGAGS303EW01, JDGJGAGW303EW01, JDGJRAGS303EW01, JDGJRAGW303EW01, JDGJXAGW303EW01, JDGJGAGS303EW01, NDGNLBGS303UG01, NDGNXAGS303EW01, NDGNXAGS303UG01, PDGJGBGS303UG01, PDGJXAGS303UG01, SDGNGBGS303UG01, SDGNLBGS303UG01, SDGNXAGS303BW01, SDGNXAGS303EG01 and SDGNXAGS303UG01
	459P3	N.G. Conversion Kit	Used to convert dryers from L.P. to N.G. or Mixed Gas for 25,000 Btu; All other models

Burner Orifice Spuds - For Higher Elevations

Gas Models

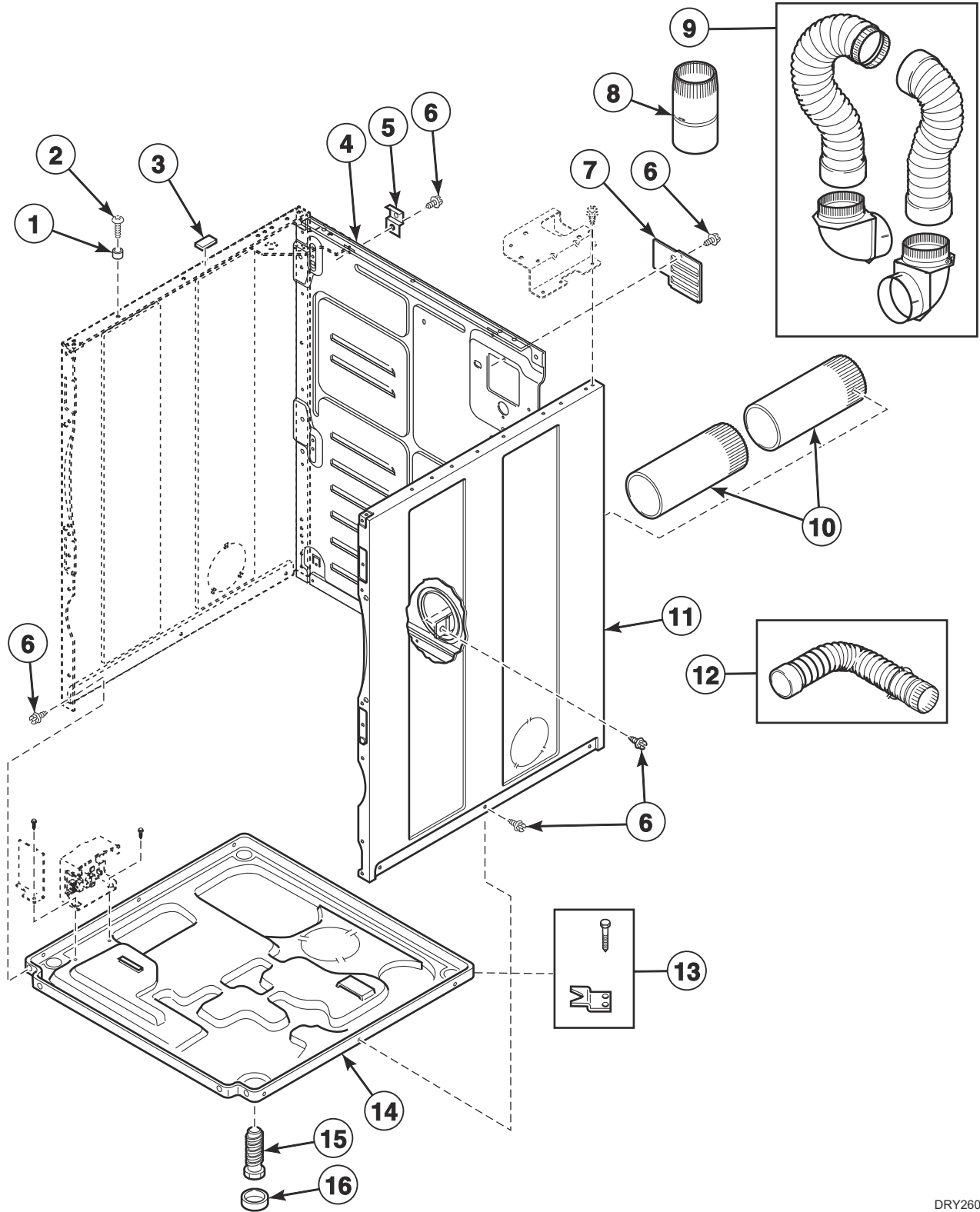


DRY2266P_D518516

Burner Orifice Spuds - For Higher Elevations

REF	PART NO.	DESCRIPTION	COMMENTS
1	58755	L.P. Orifice	25,000 Btu; 7500-10,999 feet (2290-3354 m)
	D503786	L.P. Orifice	25,000 Btu; 11,000 feet (3355 m) and higher
	D503776	N.G. Orifice	25,000 Btu; 2000-2999 feet (610-914 m)
	D510517	N.G. Orifice	25,000 Btu; 3000-5499 feet (915-1679 m)
	D503778	N.G. Orifice	25,000 Btu; 5500-6999 feet (1680-2134 m)
	58719	Screw Orifice	25,000 Btu; 7000-8999 feet (2135-2744 m)
	D503779	N.G. Orifice	25,000 Btu; 9000-10,499 feet (2745-3199 m)
	D503780	N.G. Orifice	25,000 Btu; 10,500 feet (3200 m) and higher

Cabinet, Exhaust Duct and Base (Drawing 1 of 2)



DRY2601P

Cabinet, Exhaust Duct and Base (Drawing 1 of 2)

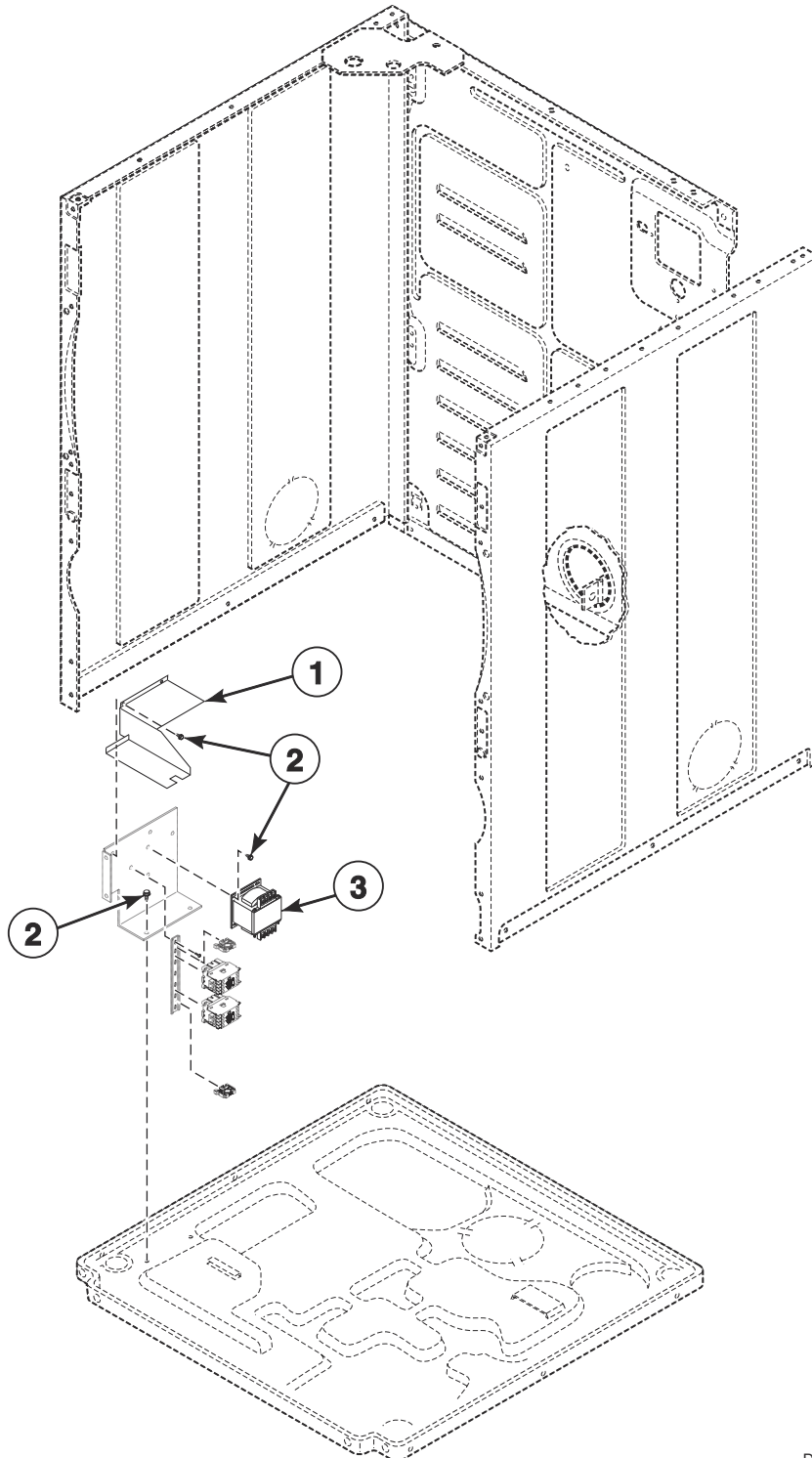
REF	PART NO.	DESCRIPTION	COMMENTS
	122P4P	Porcelain Touch-Up Paint	White
	F140938	Snap Bushing	Model JDGJRAGW303EW01
	D518062	Bracket Assembly	Model JDGJRAGW303EW01
1	56079	Panel Locator	
2	D512921	Screw	Use with stainless steel side panels
	39733	Screw	Use with painted side panels
3	56128	Bumper Pad	
4	D517566	Cabinet Rear Panel	
5	D510136	Top Hinge	
6	D503688	Screw	
7	D510903	Access Panel Plate	With louvers
	D514356	Access Cover Plate	Without louvers
8	58786	Damper	Use when connecting to a manifold vent system
9	521P3	Flexible Venting Kit	
10	D516196	Exhaust Duct	
11	D510002DGP	Cabinet Side Panel	Gray; Right; Models BD3NGBSS403UN01, JDGJGAGS303EW01, JDGJGAGW303EW01, ND3NLBGS403UG01, ND3NLBGS403UG01, ND3NLBGS403UG01, ND3NLBGS403UN01, ND3NLBSS403UN01, ND3NXAGS403UG01, ND3NXAGS403UN01, ND3NXASS403UN01, NDENGBGS303UG01, NDENXAGS303UG01, NDGNLBGS303UG01, NDGNXAGS303UG01, PD3JGBGS403UG01, PD3JXAGS403UG01, PDEJGBGS303UG01, PDGJGBGS303UG01, PDGJXAGS303UG01, SD3NGBGS403UG01, SD3NGBGS403UN01, SD3NLBGS403UG01, SD3NLBGS403UN01, SD3NXAGS403UG01, SD3RGBGS403UG01, SDEJXAGS553UG16, SDENGBGS303UG01, SDENGBGS543ZG01, SDENLBGS303UG01, SDENLBGS543ZG01, SDENXAGS303UG01, SDERXAGS303UG01, SDGNBGS303UG01, SDGNLBGS303UG01, SDGNXAGS303EG01 and SDGNXAGS303UG01
	D510002WP	Cabinet Side Panel	White; Right; All other models
12	528P3	Directional Exhaust Kit	Used to vent dryer out the sides or bottom
13	526P3	Hold Down Kit	For mobile home installations
14	D514245	Dryer Base	
15	D510135	Leveling Leg	
16	D501855	Rubber Foot	

Cabinet, Exhaust Duct and Base (Drawing 2 of 2)

REF	PART NO.	DESCRIPTION	COMMENTS
1	D514420	Output Board Shield	Models BD3NGBGS403UW01, BD3NGBSS403UN01, BD3NXAGS403UW01, HDENXAGS543DW01, JDEJGAGW303EW01, JDGJGAGW303EW01, ND3NLBSS403UN01, ND3NXAGS403UG01, ND3NXASS403UN01, NDENXAGS303UG01, NDENXAGS303UW01, NDGNXAGS303UG01, NDGNXAGS303ZW38, PD3JGBGS403UG01, PD3JXAGS403UG01, PDEJGBGS303UG01, SD3JGBGS403UW01, SD3NGBGS403UN01, SD3NXAGS403UG01, SDENLBGS543ZG01, SDENXAGS303UG01, SDENXAGS543DW01, SDENXAGS543RW01, SDENXRGs433AW01, SDENXRGs433LW01, SDERXAGS303UG01, SDERXAGS433AW01, SDERXAGS543DW01, SDEWXAGS433LW01, SDMNXRGs083JW01 and SDMNXRGs103JW01
2	D514428	Screw	
3	D517191P	Output Control Assembly	Models HDENEAGS173CW01, HDENEAGS176CW01, HDENERGS173CW01, HDENERGS176CW01, HDENXAGS173CW01, HDENXAGS176CW01, HDENXAGS176CWSS, HDENXAGS543DW01, HDENXRGs173CW01, HDENXRGs176CW01, HDENXRGs176CWSS, HDENYAGS173CW01, HDENYAGS176CW01, HDENYAGS176CWSS, HDENYRGs173CW01, HDENYRGs176CW01, HDENYRGs176CWSS, HDGNERGS113CW01, HDGNERGS116CW01, HDGNXAGS113CW01, HDGNXAGS116CW01, HDGNXAGS116CWSS, HDGNXRGs113CW01, HDGNXRGs116CW01, HDGNYAGS113CW01, HDGNYAGS116CW01, HDGNYRGs113CW01, HDGNYRGs116CW01, JDEJRAGS303EW01, ND3NLBGS403NW22, NDENXAGS173MW01, NDGNXAGS113MW01, SDENYRGs303NW22, SDLNXRGs543NW23 and TD3NGBGS403NW36
	D517319	Output Control Assembly	All other models
4	804667	Screw	
5	D510001DGP	Cabinet Side Panel	Gray; Left; Models BD3NGBSS403UN01, JDGJGAGS303EW01, JDGJGAGW303EW01, ND3NLBGS403UG01, ND3NLBGS403UG01, ND3NLBGS403UN01, ND3NLBSS403UN01, ND3NXAGS403UG01, ND3NXAGS403UN01, ND3NXASS403UN01, NDENGBGS303UG01, NDENXAGS303UG01, NDGNLBGS303UG01, NDGNXAGS303UG01, PD3JGBGS403UG01, PD3JXAGS403UG01, PDEJGBGS303UG01, PDGJGBGS303UG01, PDGJXAGS303UG01, SD3NGBGS403UG01, SD3NGBGS403UN01, SD3NLBGS403UG01, SD3NLBGS403UN01, SD3NXAGS403UG01, SD3NXAGS403UN01, SD3RGBGS403UG01, SDEJXAGS553UG16, SDENGBGS303UG01, SDENGBGS543ZG01, SDENLBGS303UG01, SDENLBGS543ZG01, SDENXAGS303UG01, SDERXAGS303UG01, SDGNBGS303UG01, SDGNLBGS303UG01, SDGNXAGS303EG01 and SDGNXAGS303UG01
	D510001WP	Cabinet Side Panel	White; Left; All other models

Contactor and Transformer (Drawing 1 of 2)

Models BD3NGBGS403UW01, BD3NGBSS403UN01, BD3NXAGS403UW01, HDGNXAGS543DW01, JDGJGAGS303EW01, JDGJGAGW303EW01, JDGJRAGS303EW01, JDGJRAGW303EW01, JDGJXAGW303EW01, ND3NLBGS403NW22, ND3NLBGS403UG01, ND3NLBGS403UG01, ND3NLBGS403UG01, ND3NLBGS403UN01, ND3NLBSS403UN01, ND3NXAGS403UG01, ND3NXAGS403UN01, ND3NXASS403UN01, NDGNXAGS303EW01, NDGNXAGS303ZW38, PD3JGBGS403UG01, PD3JXAGS403UG01, PDGJGBGS303UG01, PDGJXAGS303UG01, SD3JGBGS403UW01, SD3NGBGS403UG01, SD3NGBGS403UN01, SD3NLBGS403UG01, SD3NLBGS403UN01, SD3NXAGS403UG01, SD3NXAGS403UN01, SD3RGBGS403UG01, SDGNXAGS303AW01, SDGNXAGS303BW01, SDGNXAGS303EG01, SDGNXAGS303UG01, SDGNXAGS543DW01, SDGNXRGS303AW01, SDGRXAGS543DW01, SDGWXAGS303BW01, SDLNXRGS303LW01, SDLNXRGS543NW23, SDLNXRGS543PW01 and TD3NGBGS403NW36



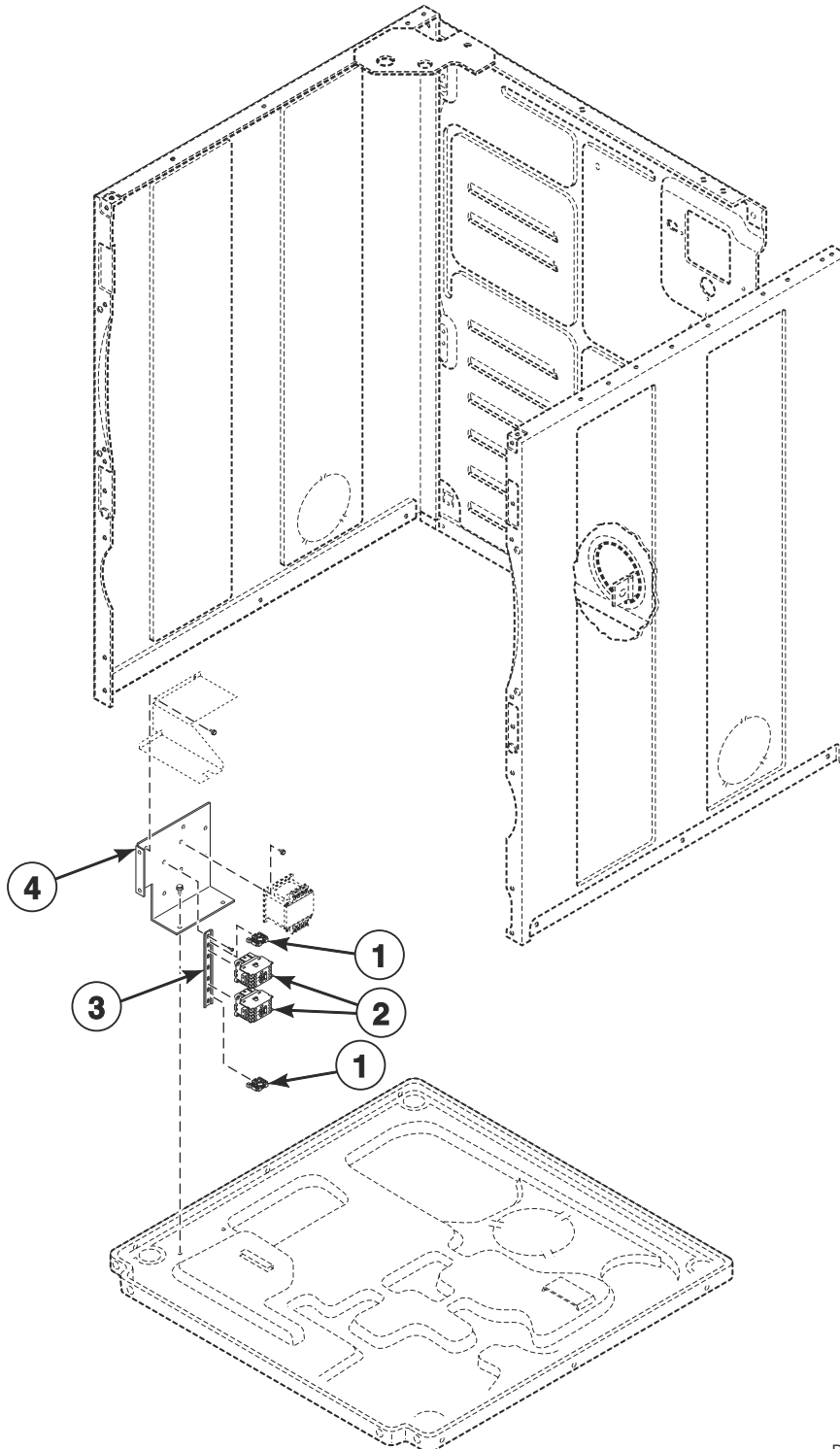
DRY2619P_D518516

Contactor and Transformer (Drawing 1 of 2)

REF	PART NO.	DESCRIPTION	COMMENTS
	D517689	Power Harness	Used between item 5 and 804844, 804864 or 514834P Filter; Models BD3NGBGS403UW01, BD3NGBSS403UN01, BD3NXAGS403UW01, ND3NLBGS403NW22, ND3NLBSS403UN01, ND3NXASS403UN01, PD3JGBGS403UG01, PD3JXAGS403UG01, SD3JGBGS403UW01 and TD3NGBGS403NW36
	D518531	Heater Harness	Used between item 5 and heating element; Models BD3NGBGS403UW01, BD3NGBSS403UN01, BD3NXAGS403UW01, ND3NLBGS403NW22, ND3NLBSS403UN01, ND3NXASS403UN01, PD3JGBGS403UG01, PD3JXAGS403UG01, SD3JGBGS403UW01 and TD3NGBGS403NW36
	D514054	Dual Contactor Harness	Used with item 5; Models BD3NGBGS403UW01, BD3NGBSS403UN01, BD3NXAGS403UW01, ND3NLBGS403NW22, ND3NLBSS403UN01, ND3NXASS403UN01, PD3JGBGS403UG01, PD3JXAGS403UG01, SD3JGBGS403UW01 and TD3NGBGS403NW36
1	D514334	Transformer Shield	Models HDGNXAGS543DW01, JDGJGAGS303EW01, JDGJGAGW303EW01, JDGJRAGS303EW01, JDGJRAGW303EW01, NDGNXAGS303EW01, NDGNXAGS303ZW38, PDGJGBGS303UG01, PDGJXAGS303UG01, SDGNXAGS303AW01, SDGNXAGS303BW01, SDGNXAGS303EG01, SDGNXAGS303UG01, SDGNXAGS543DW01, SDGNXRGS303AW01, SDGRXAGS543DW01, SDGWXAGS303BW01, SDLNXRGS303LW01, SDLNXRGS543NW23 and SDLNXRGS543PW01
2	D503688	Screw	
3	D513763P	Transformer	Models HDGNXAGS543DW01, JDGJGAGS303EW01, JDGJGAGW303EW01, JDGJRAGS303EW01, JDGJRAGW303EW01, JDGJXAGW303EW01, NDGNXAGS303EW01, NDGNXAGS303ZW38, PDGJGBGS303UG01, PDGJXAGS303UG01, SDGNXAGS303AW01, SDGNXAGS303BW01, SDGNXAGS303EG01, SDGNXAGS303UG01, SDGNXAGS543DW01, SDGNXRGS303AW01, SDGRXAGS543DW01, SDGWXAGS303BW01, SDLNXRGS303LW01, SDLNXRGS543NW23 and SDLNXRGS543PW01

Contactor and Transformer (Drawing 2 of 2)

Models BD3NGBGS403UW01, BD3NGBSS403UN01, BD3NXAGS403UW01, HDGNXAGS543DW01, JDGJGAGS303EW01, JDGJGAGW303EW01, JDGJRAGS303EW01, JDGJRAGW303EW01, JDGJXAGW303EW01, ND3NLBGS403NW22, ND3NLBGS403UG01, ND3NLBGS403UG01, ND3NLBGS403UG01, ND3NLBGS403UN01, ND3NLBSS403UN01, ND3NXAGS403UG01, ND3NXAGS403UN01, ND3NXASS403UN01, NDGNXAGS303EW01, NDGNXAGS303ZW38, PD3JGBGS403UG01, PD3JXAGS403UG01, PDGJGBGS303UG01, PDGJXAGS303UG01, SD3JGBGS403UW01, SD3NGBGS403UG01, SD3NGBGS403UN01, SD3NLBGS403UG01, SD3NLBGS403UN01, SD3NXAGS403UG01, SD3NXAGS403UN01, SD3RGBGS403UG01, SDGNXAGS303AW01, SDGNXAGS303BW01, SDGNXAGS303EG01, SDGNXAGS303UG01, SDGNXAGS543DW01, SDGNXRGS303AW01, SDGRXAGS543DW01, SDGWXAGS303BW01, SDLNXRGS303LW01, SDLNXRGS543NW23, SDLNXRGS543PW01 and TD3NGBGS403NW36



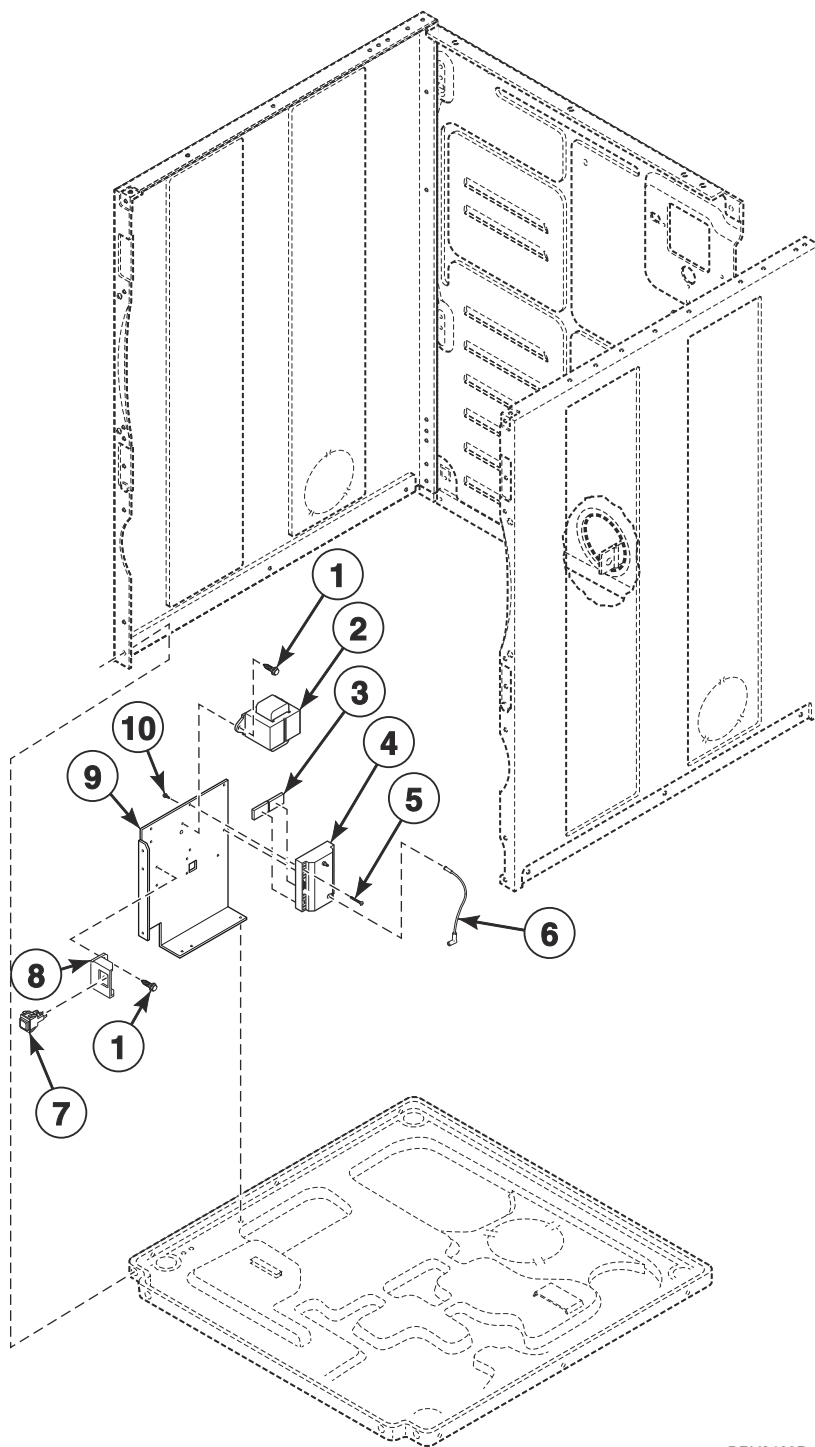
DRY2620P_D518516

Contactor and Transformer (Drawing 2 of 2)

REF	PART NO.	DESCRIPTION	COMMENTS
1	F8449801	End Stop	Models BD3NGBGS403UW01, BD3NGBSS403UN01, BD3NXAGS403UW01, ND3NLBGS403NW22, ND3NLBGS403UG01, ND3NLBGS403UG01, ND3NLBGS403UG01, ND3NLBGS403UN01, ND3NLBSS403UN01, ND3NXAGS403UG01, ND3NXAGS403UN01, ND3NXASS403UN01, PD3JGBGS403UG01, PD3JXAGS403UG01, SD3JGBGS403UW01, SD3NGBGS403UG01, SD3NGBGS403UN01, SD3NLBGS403UG01, SD3NLBGS403UN01, SD3NXAGS403UG01, SD3NXAGS403UN01, SD3RGBGS403UG01 and TD3NGBGS403NW36
2	70482603	Contactor	Models BD3NGBGS403UW01, BD3NGBSS403UN01, BD3NXAGS403UW01, ND3NLBGS403NW22, ND3NLBGS403UG01, ND3NLBGS403UG01, ND3NLBGS403UG01, ND3NLBGS403UN01, ND3NLBSS403UN01, ND3NXAGS403UG01, ND3NXAGS403UN01, ND3NXASS403UN01, PD3JGBGS403UG01, PD3JXAGS403UG01, SD3JGBGS403UW01, SD3NGBGS403UG01, SD3NGBGS403UN01, SD3NLBGS403UG01, SD3NLBGS403UN01, SD3NXAGS403UG01, SD3NXAGS403UN01, SD3RGBGS403UG01 and TD3NGBGS403NW36
3	M412693	Din Rail	Models BD3NGBGS403UW01, BD3NGBSS403UN01, BD3NXAGS403UW01, ND3NLBGS403NW22, ND3NLBGS403UG01, ND3NLBGS403UG01, ND3NLBGS403UG01, ND3NLBGS403UN01, ND3NLBSS403UN01, ND3NXAGS403UG01, ND3NXAGS403UN01, ND3NXASS403UN01, PD3JGBGS403UG01, PD3JXAGS403UG01, SD3JGBGS403UW01, SD3NGBGS403UG01, SD3NGBGS403UN01, SD3NLBGS403UG01, SD3NLBGS403UN01, SD3NXAGS403UG01, SD3NXAGS403UN01, SD3RGBGS403UG01 and TD3NGBGS403NW36
4	D511859	Contactor Bracket	Models BD3NGBGS403UW01, BD3NGBSS403UN01, BD3NXAGS403UW01, ND3NLBGS403NW22, ND3NLBGS403UG01, ND3NLBGS403UG01, ND3NLBGS403UG01, ND3NLBGS403UN01, ND3NLBSS403UN01, ND3NXAGS403UG01, ND3NXAGS403UN01, ND3NXASS403UN01, PD3JGBGS403UG01, PD3JXAGS403UG01, SD3JGBGS403UW01, SD3NGBGS403UG01, SD3NGBGS403UN01, SD3NLBGS403UG01, SD3NLBGS403UN01, SD3NXAGS403UG01, SD3NXAGS403UN01, SD3RGBGS403UG01 and TD3NGBGS403NW36

Ignition Control Module

Models SDMNXRGS083JW01 and SDMNXRGS103JW01



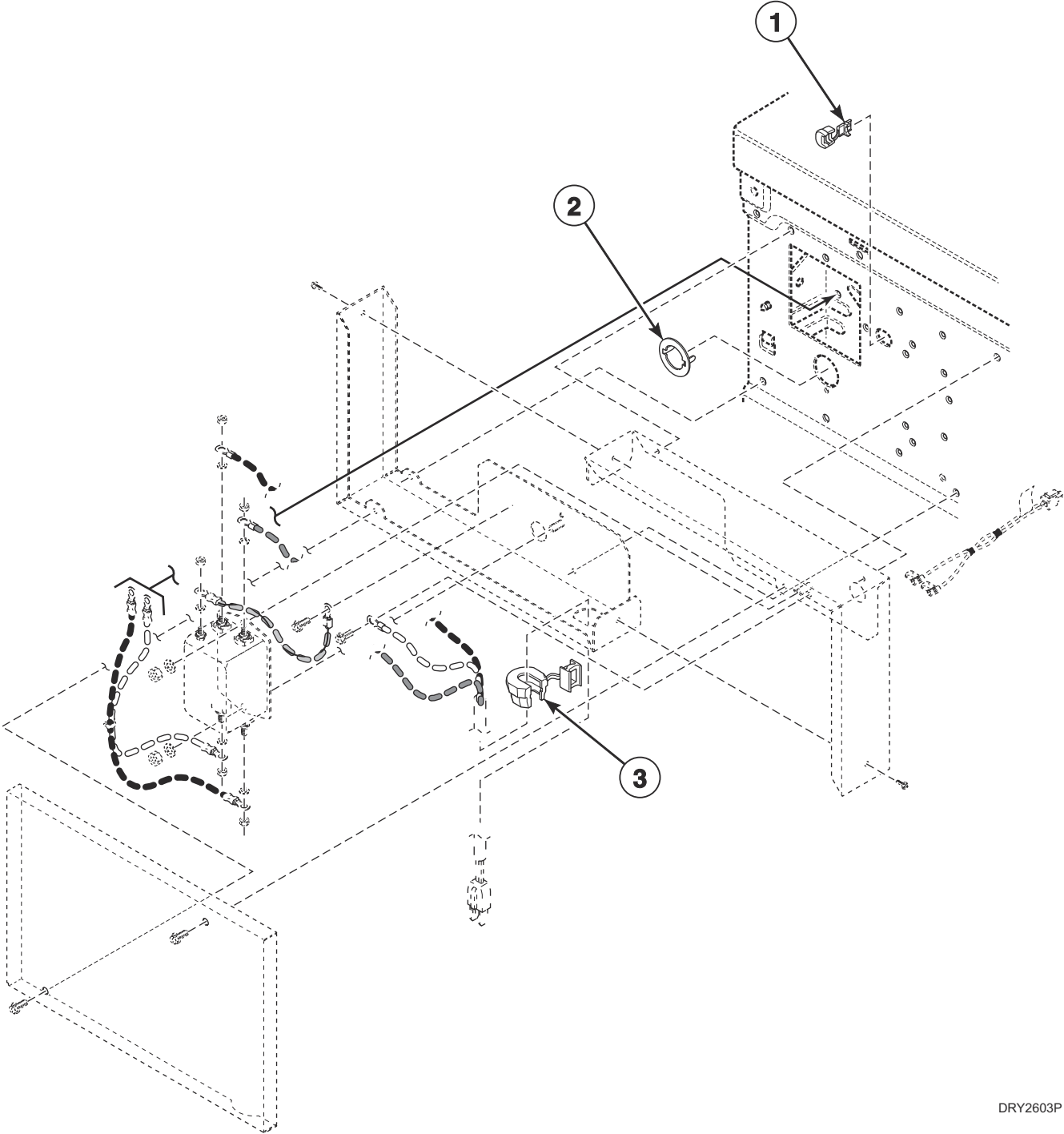
DRY2483P_D518516

Ignition Control Module

REF	PART NO.	DESCRIPTION	COMMENTS
	D517023	Ignition Control Module Main Harness	
	D517459	Jumper	
	D516881	ICM Gas Harness	
1	D503688	Screw	
2	202758	Transformer	
3	56128	Bumper Pad	
4	70483201P	Ignition Control	
5	D516261	Screw	
6	44239706	High Voltage Suppression Cable	
7	M413431	Pushbutton Switch	Lighted
8	D516237	Switch Bracket	
9	D511859	Contacto Bracket	
10	38272	Screw	

Power Cord (Drawing 1 of 2)

All Models Except SDENYRGS303NW22



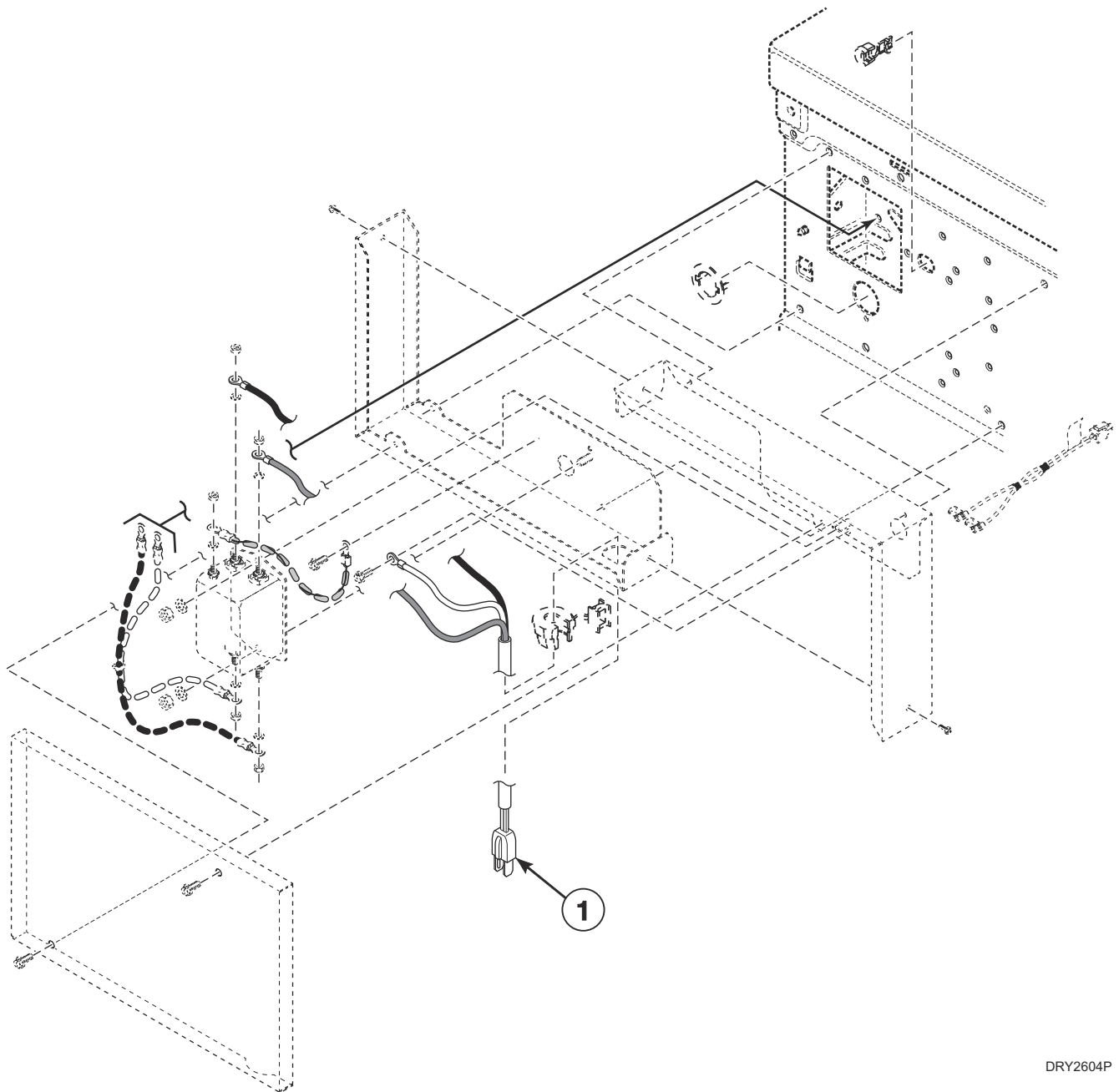
DRY2603P

Power Cord (Drawing 1 of 2)

REF	PART NO.	DESCRIPTION	COMMENTS
	20530	Screw	
1	D517490	Strain Relief	Models HDGNERGS113CW01, HDGNERGS116CW01, HDGNXAGS113CW01, HDGNXAGS116CW01, HDGNXRGs113CW01, HDGNXRGs116CW01, HDGNYAGS113CW01, HDGNYAGS116CW01, HDGNYRGS113CW01, HDGNYRGS116CW01 and NDGNXAGS113MW01
2	D502496	Strain Relief Adapter	Model SDLNXRGs543NW23
3	D517492	Strain Relief	Models HDENXAGS543DW01, JDEJGAGS303EW01, JDEJGAGW303EW01, JDEJRAGS303EW01, JDEJRAGW303EW01, JDEJXAGW303EW01, JDEVGAGS303EW01, JDEVRAGS303EW01, JDGJRAGS303EW01, JDGJRAGW303EW01, JDGVGAGS303EW01, NDENBGS303UG01, NDENXAGS303UG01, NDENXAGS303UW01, PDEJGBGS303UG01, SDEJXAGS553UG16, SDENBGS303UG01, SDENBGS543ZG01, SDENLBGS303UG01, SDENLBGS543ZG01, SDENXAGS303UG01, SDENXAGS543DW01, SDENXAGS543RW01, SDENXRGs433AW01, SDENXRGs433LW01, SDERXAGS303UG01, SDERXAGS433AW01, SDERXAGS543DW01, SDERXRGs433AW01 and SDEWXAGS433LW01
	D517491	Strain Relief	Models HDGNXAGS123DW01, HDGNXAGS543DW01, JDGJGAGS303EW01, JDGJGAGW303EW01, JDGJRAGS303EW01, JDGJRAGW303EW01, JDGJXAGW303EW01, NDGNLBGS303UG01, NDGNXAGS303EW01, NDGNXAGS303UG01, NDGNXAGS303ZW38, PDGJGBGS303UG01, PDGJXAGS303UG01, SDGNBGS303UG01, SDGNLBGS303UG01, SDGNXAGS123DW01, SDGNXAGS303AW01, SDGNXAGS303BW01, SDGNXAGS303EG01, SDGNXAGS303UG01, SDGNXAGS543DW01, SDGNXRGs303AW01, SDGRXAGS543DW01, SDGWXAGS303BW01, SDLNXRGs303LW01, SDLNXRGs543NW23, SDLNXRGs543PW01, SDMNXRGs083JW01 and SDMNXRGs103JW01

Power Cord (Drawing 2 of 2)

All Models Except SDENYRGS303NW22



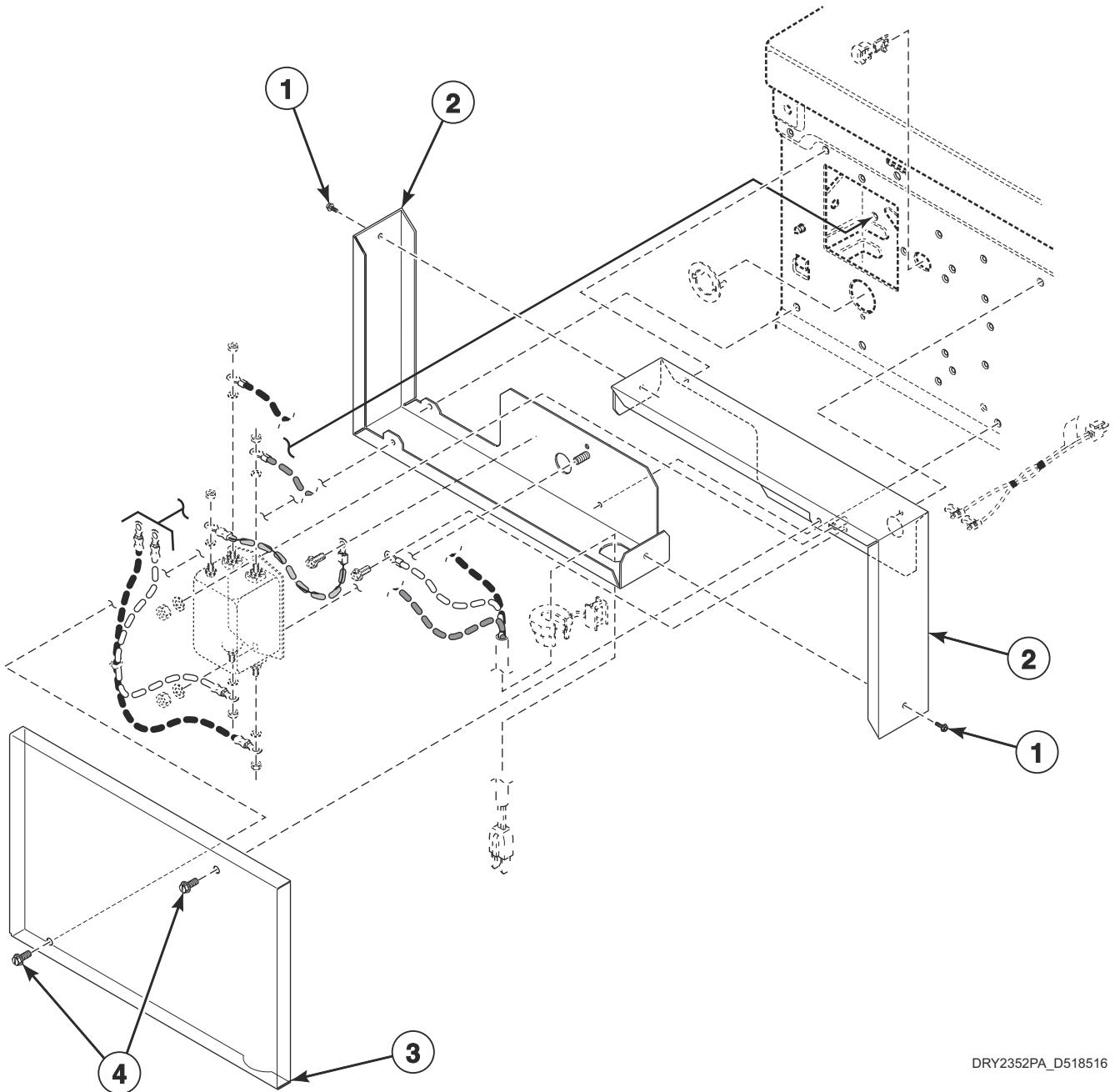
DRY2604P

Power Cord (Drawing 2 of 2)

REF	PART NO.	DESCRIPTION	COMMENTS
1	D516747	Lead-In Cord Assembly	Models HDENXAGS543DW01, JDEJGAGS303EW01, JDEJGAGW303EW01, JDEJRAGS303EW01, JDEJRAGW303EW01, JDEJXAGW303EW01, JDEVGAGS303EW01, JDEVRAGS303EW01, JDGJRAGS303EW01, JDGJRAGW303EW01, JDGVGAGS303EW01, NDENGBGS303UG01, NDENXAGS303UG01, NDENXAGS303UW01, NDGNXAGS303UG01, PDEJGBGS303UG01, SDEJXAGS553UG16, SDENGBGS303UG01, SDENGBGS543ZG01, SDENLBGS303UG01, SDENLBGS543ZG01, SDENXAGS303UG01, SDENXAGS543DW01, SDENXAGS543RW01, SDERXAGS303UG01, SDERXAGS543DW01 and SDEWXAGS433LW01
	202777	Lead-In Cord	Models HDGNERGS113CW01, HDGNERGS116CW01, HDGNXAGS113CW01, HDGNXAGS116CW01, HDGNXAGS116CWSS, HDGNXRGS113CW01, HDGNXRGS116CW01, HDGNYAGS113CW01, HDGNYAGS116CW01, HDGNYRGS113CW01, HDGNYRGS116CW01 and NDGNXAGS113MW01
	D517577	Lead-In Cord	Models JDGJGAGS303EW01, JDGJGAGW303EW01, JDGJRAGS303EW01, JDGJRAGW303EW01, JDGJXAGW303EW01, NDGNLBGS303UG01, PDGJXAGS303UG01, SDGNGBGS303UG01 and SDGNLBGS303UG01
	D516705	Lead-In Cord	Models SDGNXAGS303AW01, SDGNXRGS303AW01 and SDLNXRGS303LW01
	61605P	Lead-In Cord Kit	Models SDENXRGS433AW01, SDERXAGS433AW01 and SDERXRGS433AW01
	203344	Lead-In Cord	Models NDGNXAGS303ZW38 and SDLNXRGS543PW01
	D517579	Lead-In Cord	Models HDGNXAGS123DW01, HDGNXAGS543DW01, SDGNXAGS123DW01, SDGNXAGS543DW01 and SDGRXAGS543DW01
	D517699	Lead-In Cord	Models BD3NGBGS403UW01, BD3NGBSS403UN01, BD3NXAGS403UW01, ND3NLBGS403NW22, ND3NLBGS403UG01, ND3NLBGS403UG01, ND3NLBGS403UN01, ND3NLBSS403UN01, ND3NXAGS403UG01, ND3NXAGS403UN01, ND3NXASS403UN01, PD3JGBGS403UG01, PD3JXAGS403UG01, SD3JGBGS403UW01, SD3NGBGS403UG01, SD3NGBGS403UN01, SD3NLBGS403UG01, SD3NLBGS403UN01, SD3NXAGS403UG01, SD3NXAGS403UN01, SD3RGBGS403UG01 and TD3NGBGS403NW36
	D502599	Lead-In Cord	Model SDENXRGS433LW01
	D515467	Lead-In Cord Assembly	Model SDLNXRGS303LW01
	D517581	Lead-In Cord	Models SDMNXRGS083JW01 and SDMNXRGS103JW01
	D517580	Power Cord Assembly	Models SDGNXAGS303BW01 and SDGWXAGS303BW01
	D517578	Lead-In Cord	Models NDGNXAGS303EW01, PDGJGBGS303UG01, PDGJXAGS303UG01, SDGNXAGS303EG01 and SDGNXAGS303UG01
	D510505P	Lead-In Cord Assembly	All other models

Junction Box

Models BD3NGBGS403UW01, BD3NGBSS403UN01, BD3NXAGS403UW01, HDENXAGS543DW01, HDGNXAGS123DW01, HDGNXAGS543DW01, JDEJGAGS303EW01, JDEJGAGW303EW01, JDEJRAGS303EW01, JDEJRAGW303EW01, JDEJXAGW303EW01, JDEVGAGS303EW01, JDEVRAGS303EW01, JDGJGAGS303EW01, JDGJGAGW303EW01, JDGJRAGS303EW01, JDGJRAGW303EW01, JDGJXAGW303EW01, JDGVGAGS303EW01, ND3NLBGS403UG01, ND3NLBGS403UG01, ND3NLBGS403UN01, ND3NLBSS403UN01, ND3NXAGS403UG01, ND3NXAGS403UN01, ND3NXASS403UN01, NDENBGS303UG01, NDENXAGS303UG01, NDENXAGS303UW01, NDGNLBGS303UG01, NDGNXAGS303EW01, NDGNXAGS303UG01, NDGNXAGS303ZW38, PD3JGBGS403UG01, PD3JXAGS403UG01, PDEJGBGS303UG01, PDGJGBGS303UG01, PDGJXAGS303UG01, SD3JGBGS403UW01, SD3NGBGS403UG01, SD3NGBGS403UN01, SD3NLBGS403UG01, SD3NLBGS403UN01, SD3NXAGS403UG01, SD3NXAGS403UN01, SD3RGBGS403UG01, SDEJXAGS553UG16, SDENBGS303UG01, SDENLBGS303UG01, SDENXAGS303UG01, SDENXAGS543DW01, SDENXAGS543RW01, SDENXRGS433AW01, SDENXRGS433LW01, SDERXAGS303UG01, SDERXAGS433AW01, SDERXAGS543DW01, SDERXRGS433AW01, SDEWXAGS433LW01, SDGNBGS303UG01, SDGNLBGS303UG01, SDGNXAGS123DW01, SDGNXAGS303AW01, SDGNXAGS303BW01, SDGNXAGS303EG01, SDGNXAGS303UG01, SDGNXAGS543DW01, SDGNXRGS303AW01, SDGRXAGS543DW01, SDGWXAGS303BW01, SDLNXRGS303LW01, SDLNXRGS543PW01, SDMNXRGS083JW01 and SDMNXRGS103JW01



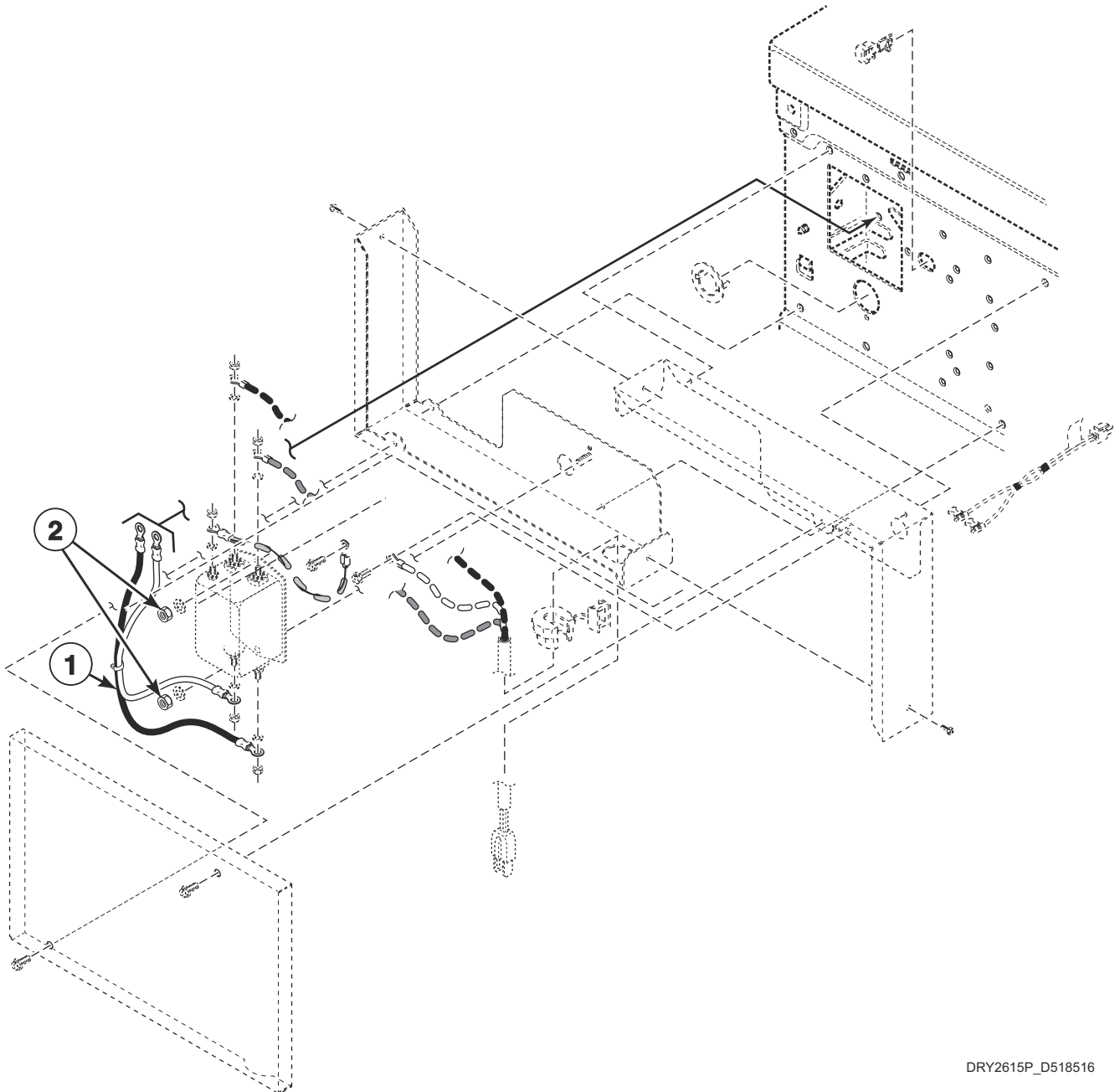
DRY2352PA_D518516

Junction Box

REF	PART NO.	DESCRIPTION	COMMENTS
	D514379P	Junction Box Seal	4 required
1	D503688	Screw	2 required
2	D516154	Junction Box Assembly	3 phase; Models BD3NGBGS403UW01, BD3NGBSS403UN01, BD3NXAGS403UW01, ND3NLBGS403UG01, ND3NLBGS403UG01, ND3NLBGS403UN01, ND3NLBSS403UN01, ND3NXAGS403UG01, ND3NXAGS403UN01, ND3NXASS403UN01, PD3JGBGS403UG01, PD3JXAGS403UG01, SD3JGBGS403UW01, SD3NGBGS403UG01, SD3NGBGS403UN01, SD3NLBGS403UG01, SD3NLBGS403UN01, SD3NXAGS403UG01, SD3NXAGS403UN01 and SD3RGBGS403UG01
	D516153	Junction Box Assembly	1 phase; Models HDENXAGS543DW01, JDEJGAGS303EW01, JDEJGAGW303EW01, JDEJRAGS303EW01, JDEJRAGW303EW01, JDEJXAGW303EW01, JDEVGAGS303EW01, JDEVRAGS303EW01, NDENGBGS303UG01, NDENXAGS303UG01, NDENXAGS303UW01, PDEJGBGS303UG01, SDEJXAGS553UG16, SDENGBGS303UG01, SDENLBGS303UG01, SDENXAGS303UG01, SDENXAGS543DW01, SDENXAGS543RW01, SDENXRGs433AW01, SDENXRGs433LW01, SDERXAGS303UG01, SDERXAGS433AW01, SDERXAGS543DW01, SDERXRGs433AW01 and SDEWXAGS433LW01
	D516152	Junction Box Assembly	All other models
3	D514363	Junction Box Cover	
4	D503661	Screw	2 required

Junction Box Filter and Harnesses (Drawing 1 of 2)

Models BD3NGBGS403UW01, BD3NGBSS403UN01, BD3NXAGS403UW01, HDENXAGS543DW01, HDGNXAGS123DW01, HDGNXAGS543DW01, JDEJGAGS303EW01, JDEJGAGW303EW01, JDEJRAGS303EW01, JDEJRAGW303EW01, JDEJXAGW303EW01, JDEVGAGS303EW01, JDEVGAGW303EW01, JDEVRAGS303EW01, JDGJGAGS303EW01, JDGJGAGW303EW01, JDGJRAGS303EW01, JDGJRAGW303EW01, JDGJXAGW303EW01, JDGVGAGS303EW01, ND3NLBGS403UG01, ND3NLBGS403UG01, ND3NLBGS403UN01, ND3NLBSS403UN01, ND3NXAGS403UG01, ND3NXAGS403UN01, ND3NXASS403UN01, NDENBGS303UG01, NDENXAGS303UG01, NDENXAGS303UW01, NDGNLBGS303UG01, NDGNXAGS303EW01, NDGNXAGS303UG01, NDGNXAGS303ZW38, PD3JGBGS403UG01, PD3JXAGS403UG01, PDEJGBGS303UG01, PDGJGBGS303UG01, PDGJXAGS303UG01, SD3JGBGS403UW01, SD3NGBGS403UG01, SD3NGBGS403UN01, SD3NLBGS403UG01, SD3NLBGS403UN01, SD3NXAGS403UG01, SD3NXAGS403UN01, SD3RGBGS403UG01, SDEJXAGS553UG16, SDENBGS303UG01, SDENLBGS303UG01, SDENXAGS303UG01, SDENXAGS543DW01, SDENXAGS543RW01, SDENXRGS433AW01, SDENXRGS433LW01, SDERXAGS303UG01, SDERXAGS433AW01, SDERXAGS543DW01, SDERXRGS433AW01, SDEWXAGS433LW01, SDGNBGS303UG01, SDGNLBGS303UG01, SDGNXAGS123DW01, SDGNXAGS303AW01, SDGNXAGS303BW01, SDGNXAGS303EG01, SDGNXAGS303UG01, SDGNXAGS543DW01, SDGNXRGS303AW01, SDGRXAGS543DW01, SDGWXAGS303BW01, SDLNXRGS303LW01, SDLNXRGS543PW01, SDMNXRGS083JW01 and SDMNXRGS103JW01



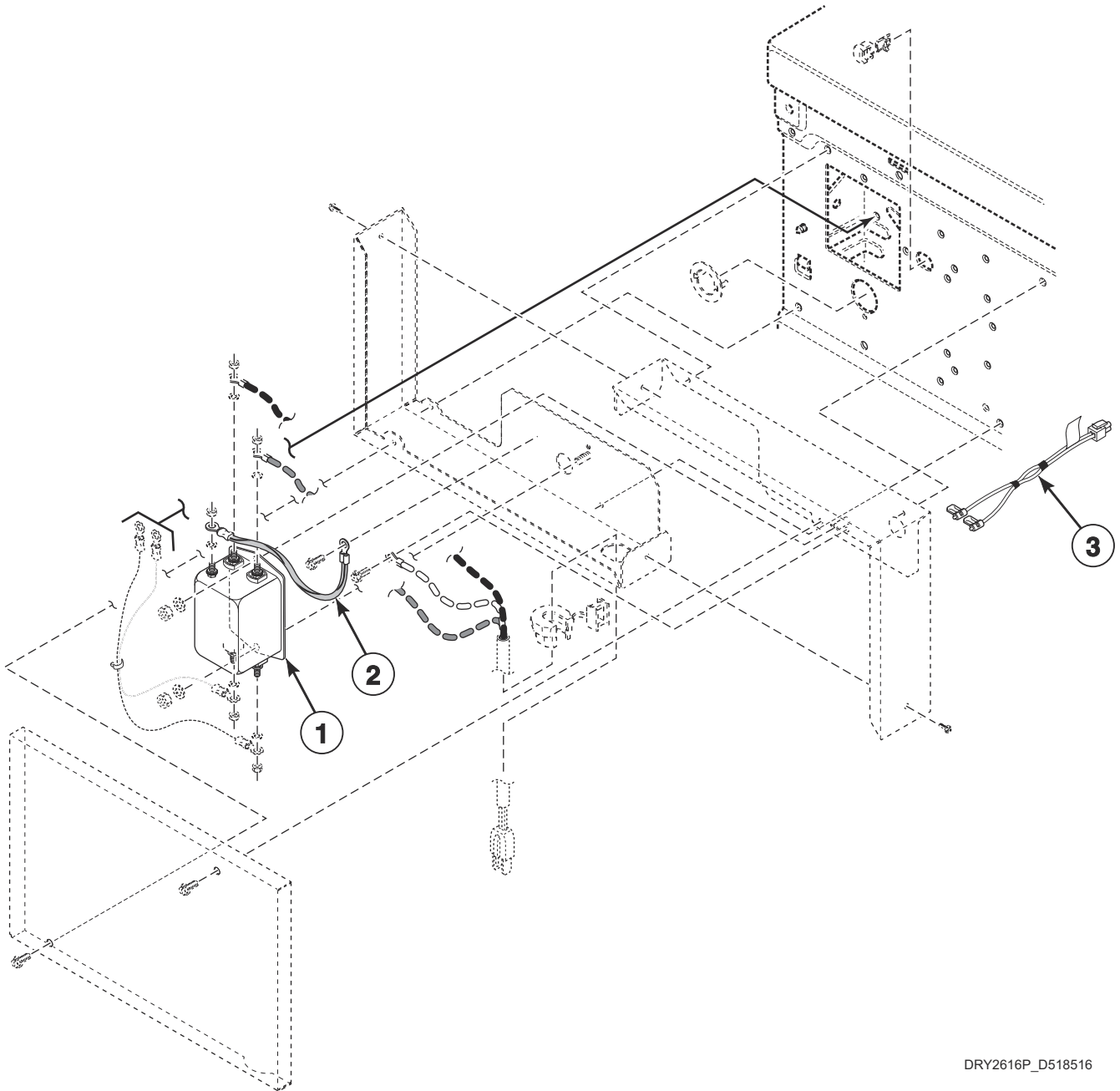
DRY2615P_D518516

Junction Box Filter and Harnesses (Drawing 1 of 2)

REF	PART NO.	DESCRIPTION	COMMENTS
	D503688	Screw	4 required
1	D518533	Filter Harness	Models HDGNXAGS123DW01, HDGNXAGS543DW01, NDGNXAGS303ZW38, SDGNXAGS123DW01, SDGNXAGS303AW01, SDGNXAGS303BW01, SDGNXAGS543DW01, SDGNXGRS303AW01, SDGRXAGS543DW01, SDGWXAGS303BW01, SDMNXGRS083JW01 and SDMNXGRS103JW01
	D518532	Filter Harness	Models HDENXAGS543DW01, JDEJGAGS303EW01, JDEJGAGW303EW01, JDEJRAGS303EW01, JDEJRAGW303EW01, JDEJXAGW303EW01, JDEVGAGS303EW01, JDEVRAGS303EW01, JDGJRAGS303EW01, JDGJRAGW303EW01, NDENGBGS303UG01, NDENXAGS303UG01, NDENXAGS303UW01, PDEJGBGS303UG01, SDEJXAGS553UG16, SDENGBGS303UG01, SDENLBGS303UG01, SDENXAGS303UG01, SDENXAGS543DW01, SDENXAGS543RW01, SDERXAGS303UG01, SDERXAGS433AW01, SDERXAGS543DW01, SDEWXAGS433LW01 and SDLNXGRS303LW01
	D514040	Filter Harness	3 Phase; Models BD3NGBGS403UW01, BD3NGBSS403UN01, BD3NXAGS403UW01, ND3NLBGS403UG01, ND3NLBGS403UG01, ND3NLBGS403UG01, ND3NLBGS403UN01, ND3NLBSS403UN01, ND3NXAGS403UG01, ND3NXAGS403UN01, ND3NXASS403UN01, PD3JGBGS403UG01, PD3JXAGS403UG01, SD3JGBGS403UW01, SD3NGBGS403UG01, SD3NGBGS403UN01, SD3NLBGS403UG01, SD3NLBGS403UN01, SD3NXAGS403UG01, SD3NXAGS403UN01 and SD3RGBGS403UG01
2	51236	Nut	3 Phase; 4 required; Models BD3NGBGS403UW01, BD3NGBSS403UN01, BD3NXAGS403UW01, ND3NLBGS403UG01, ND3NLBGS403UG01, ND3NLBGS403UG01, ND3NLBGS403UN01, ND3NLBSS403UN01, ND3NXAGS403UG01, ND3NXAGS403UN01, ND3NXASS403UN01, PD3JGBGS403UG01, PD3JXAGS403UG01, SD3JGBGS403UW01, SD3NGBGS403UG01, SD3NGBGS403UN01, SD3NLBGS403UG01, SD3NLBGS403UN01, SD3NXAGS403UG01, SD3NXAGS403UN01 and SD3RGBGS403UG01
	29787	Nut	2 required; All other models

Junction Box Filter and Harnesses (Drawing 2 of 2)

Models BD3NGBGS403UW01, BD3NGBSS403UN01, BD3NXAGS403UW01, HDENXAGS543DW01, HDGNXAGS123DW01, HDGNXAGS543DW01, JDEJGAGS303EW01, JDEJGAGW303EW01, JDEJRAGS303EW01, JDEJRAGW303EW01, JDEJXAGW303EW01, JDEVGAGS303EW01, JDEVGAGW303EW01, JDEVRAGS303EW01, JDEVRAGW303EW01, JDGJGAGS303EW01, JDGJGAGW303EW01, JDGJRAGS303EW01, JDGJRAGW303EW01, JDGJXAGW303EW01, JDGVGAGS303EW01, ND3NLBGS403UG01, ND3NLBGS403UG01, ND3NLBGS403UG01, ND3NLBGS403UN01, ND3NLBSS403UN01, ND3NXAGS403UG01, ND3NXAGS403UN01, ND3NXASS403UN01, NDENBGS303UG01, NDENXAGS303UG01, NDENXAGS303UW01, NDGNLBGS303UG01, NDGNXAGS303EW01, NDGNXAGS303UG01, NDGNXAGS303ZW38, PD3JGBGS403UG01, PD3JXAGS403UG01, PDEJGBGS303UG01, PDGJGBGS303UG01, PDGJXAGS303UG01, SD3JGBGS403UW01, SD3NGBGS403UG01, SD3NGBGS403UN01, SD3NLBGS403UG01, SD3NLBGS403UN01, SD3NXAGS403UG01, SD3NXAGS403UN01, SD3RGBGS403UG01, SDEJXAGS553UG16, SDENBGS303UG01, SDENLBGS303UG01, SDENXAGS303UG01, SDENXAGS543DW01, SDENXAGS543RW01, SDENXRGS433AW01, SDENXRGS433LW01, SDERXAGS303UG01, SDERXAGS433AW01, SDERXAGS543DW01, SDERXRGS433AW01, SDEWXAGS433LW01, SDGNBGS303UG01, SDGNLBGS303UG01, SDGNXAGS123DW01, SDGNXAGS303AW01, SDGNXAGS303BW01, SDGNXAGS303EG01, SDGNXAGS303UG01, SDGNXAGS543DW01, SDGNXRGS303AW01, SDGRXAGS543DW01, SDGWXAGS303BW01, SDLNXRGS303LW01, SDLNXRGS543PW01, SDMNXRGS083JW01 and SDMNXRGS103JW01

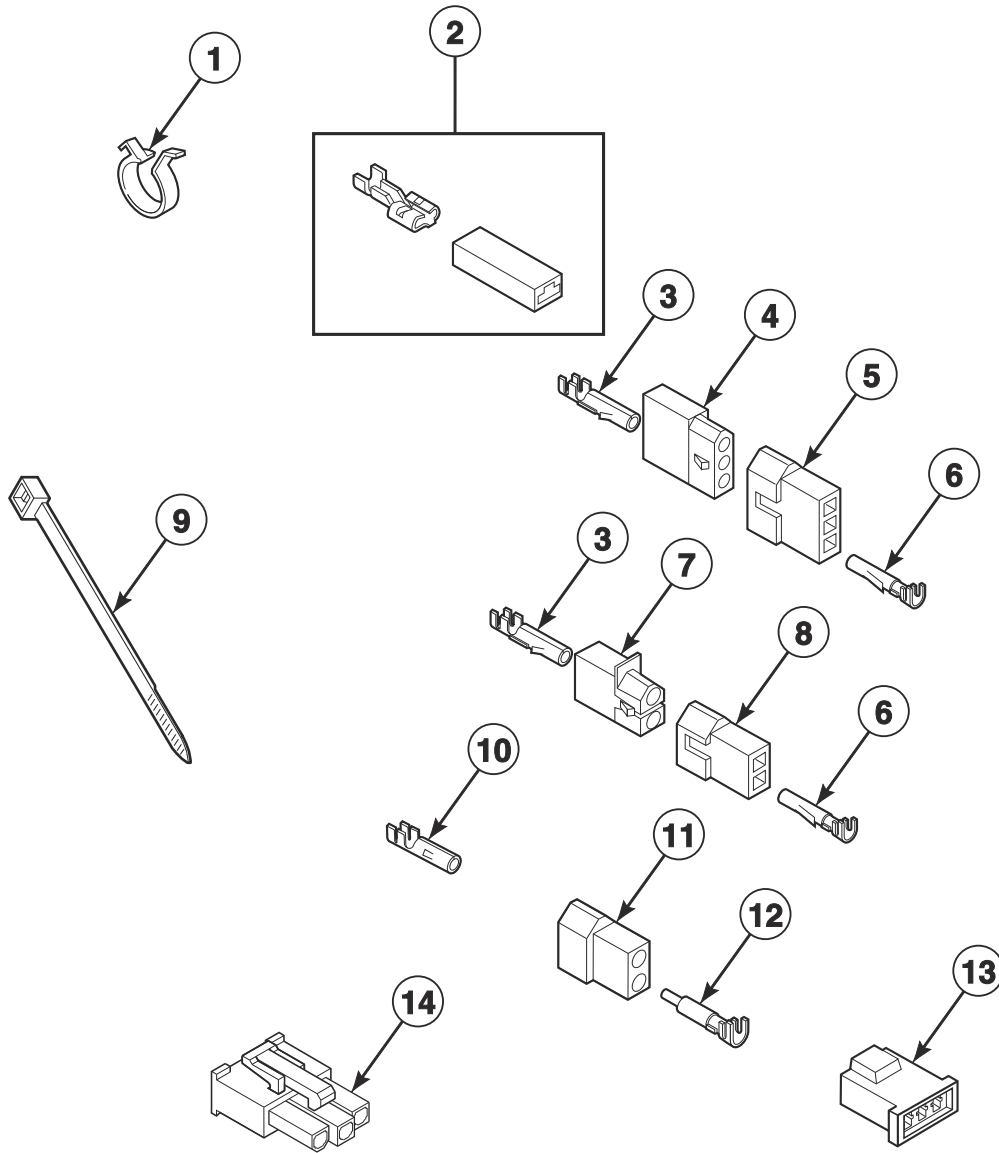


DRY2616P_D518516

Junction Box Filter and Harnesses (Drawing 2 of 2)

REF	PART NO.	DESCRIPTION	COMMENTS
1	804844	Line Filter	30 Amp; Models HDENXAGS543DW01, JDEJGAGS303EW01, JDEJGAGW303EW01, JDEJRAGS303EW01, JDEJRAGW303EW01, JDEJXAGW303EW01, JDGJGAGS303EW01, JDGJRAGW303EW01, NDENXAGS303UW01, PDEJGBGS303UG01, SDENLBGS303UG01, SDENXAGS303UG01, SDENXAGS543DW01, SDENXAGS543RW01, SDENXRGS433AW01, SDENXRGS433LW01, SDERXAGS433AW01, SDERXAGS543DW01, SDERXRGS433AW01 and SDEWXAGS433LW01
	D514384P	Filter	3 Phase; Models BD3NGBGS403UW01, BD3NGBSS403UN01, BD3NXAGS403UW01, ND3NLBGS403UG01, ND3NLBGS403UG01, ND3NLBGS403UN01, ND3NLBSS403UN01, ND3NXAGS403UG01, ND3NXAGS403UN01, ND3NXASS403UN01, PD3JGBGS403UG01, PD3JXAGS403UG01, SD3JGBGS403UW01, SD3NGBGS403UG01, SD3NGBGS403UN01, SD3NLBGS403UG01, SD3NLBGS403UN01, SD3NXAGS403UG01, SD3NXAGS403UN01 and SD3RGBGS403UG01
	804864	Line Filter	10 Amp; All other models
2	D518534	Ground Filter Harness	Models BD3NGBGS403UW01, BD3NGBSS403UN01, BD3NXAGS403UW01, HDENXAGS543DW01, JDEJGAGS303EW01, JDEJGAGW303EW01, JDEJRAGS303EW01, JDEJRAGW303EW01, JDEJXAGW303EW01, JDEVGAGS303EW01, JDEVRAGS303EW01, ND3NLBGS403UG01, ND3NLBGS403UG01, ND3NLBGS403UN01, ND3NLBSS403UN01, ND3NXAGS403UG01, ND3NXAGS403UN01, ND3NXASS403UN01, NDENGBGS303UG01, NDENXAGS303UG01, NDENXAGS303UW01, PD3JGBGS403UG01, PD3JXAGS403UG01, PDEJGBGS303UG01, SD3JGBGS403UW01, SD3NGBGS403UG01, SD3NGBGS403UN01, SD3NLBGS403UG01, SD3NLBGS403UN01, SD3NXAGS403UG01, SD3NXAGS403UN01, SD3RGBGS403UG01, SDEJXAGS553UG16, SDENGBGS303UG01, SDENLBGS303UG01, SDENXAGS303UG01, SDENXAGS543DW01, SDENXAGS543RW01, SDENXRGS433AW01, SDENXRGS433LW01, SDERXAGS303UG01, SDERXAGS433AW01, SDERXAGS543DW01, SDERXRGS433AW01 and SDEWXAGS433LW01
	D514039	Ground Filter Harness	Models HDGNXAGS123DW01, HDGNXAGS543DW01, NDGNXAGS303ZW38, SDENXRGS433LW01, SDGNXAGS123DW01, SDGNXAGS303AW01, SDGNXAGS303BW01, SDGNXAGS543DW01, SDGNXRGS303AW01, SDGRXAGS543DW01, SDGWXAGS303BW01, SDMNXRGS083JW01 and SDMNXRGS103JW01
3	804396	Filter Harness	Models JDGJGAGS303EW01, JDGJGAGW303EW01, JDGJRAGS303EW01, JDGJRAGW303EW01, JDGJXAGW303EW01, JDGJGAGS303EW01, NDGNLBGS303UG01, NDGNXAGS303EW01, NDGNXAGS303UG01, PDGJGBGS303UG01, PDGJXAGS303UG01, SDENXRGS433LW01, SDGNBGS303UG01, SDGNLBGS303UG01, SDGNXAGS303EG01, SDGNXAGS303UG01 and SDLNXRGS543PW01

Terminal Block and Terminals

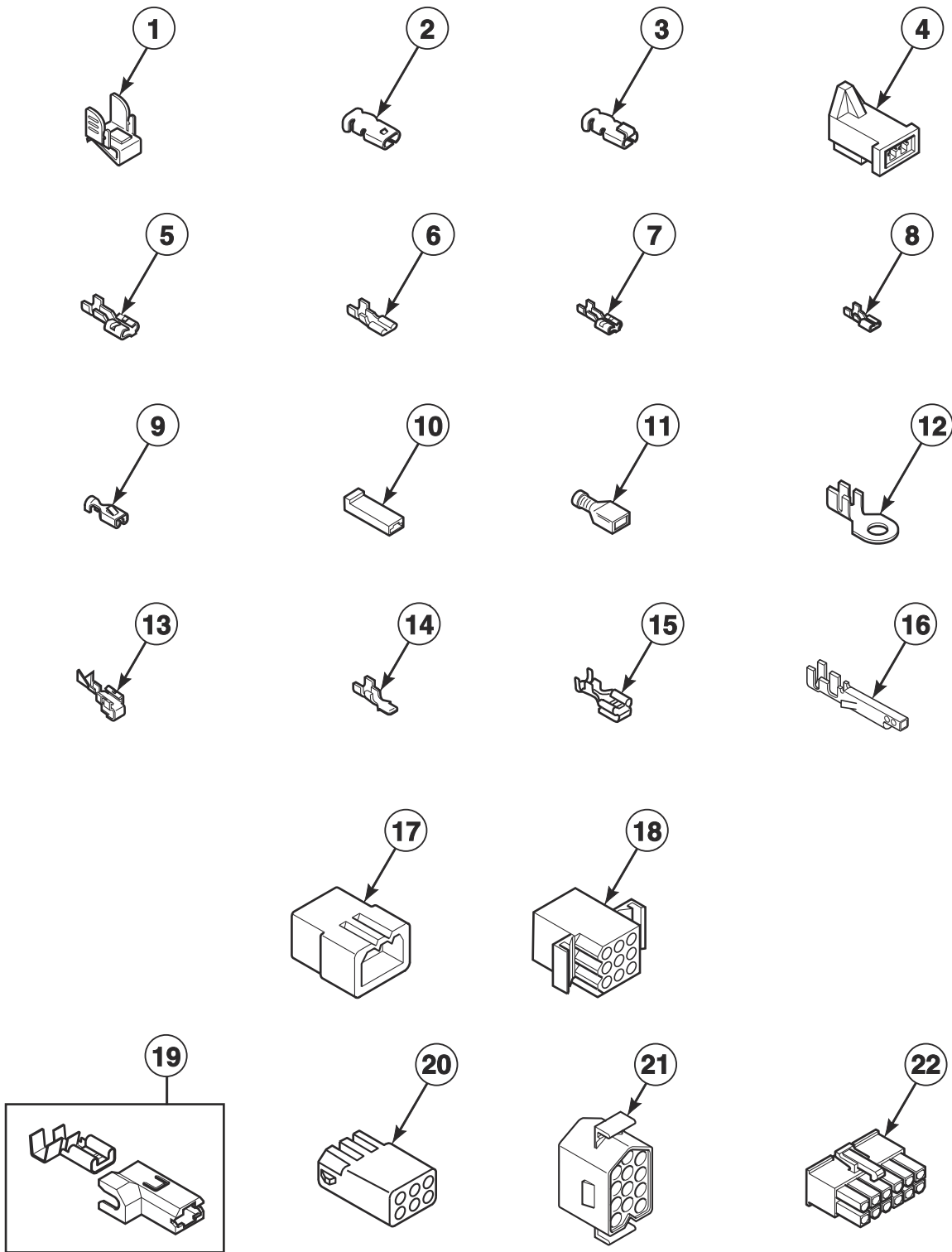


DRY2064P_D518516

Terminal Block and Terminals

REF	PART NO.	DESCRIPTION	COMMENTS
1	D504034	Wire Clip	11/16 inch
	687500	Wire Clip	1 inch
2	00360	Insulated Female Spade Terminal	(1) 12 gauge wire or (2) 18 gauge wires
3	00117	Female Pin Terminal	
4	23039	3 Circuit Receptacle	
	56265	2 Circuit Receptacle	
5	23040	Plug	3 circuit
6	00116	Male Pin Terminal	
7	56451	2 Circuit Receptacle	
8	56448	2 Circuit Plug	
9	55881	Harness Strap	
10	00130	Female Pin Terminal	1/8 inch; 16-18 gauge wire
	00128	Female Pin Terminal	1/8 inch; 10-14 gauge wire
11	56266	2 Circuit Plug	
12	00127	Male Pin Terminal	.18 insulation diameter
	00129	Male Pin Terminal	.12 insulation diameter
13	58800	3 Circuit Connector	
14	36170	3 Circuit Receptacle	

Terminals

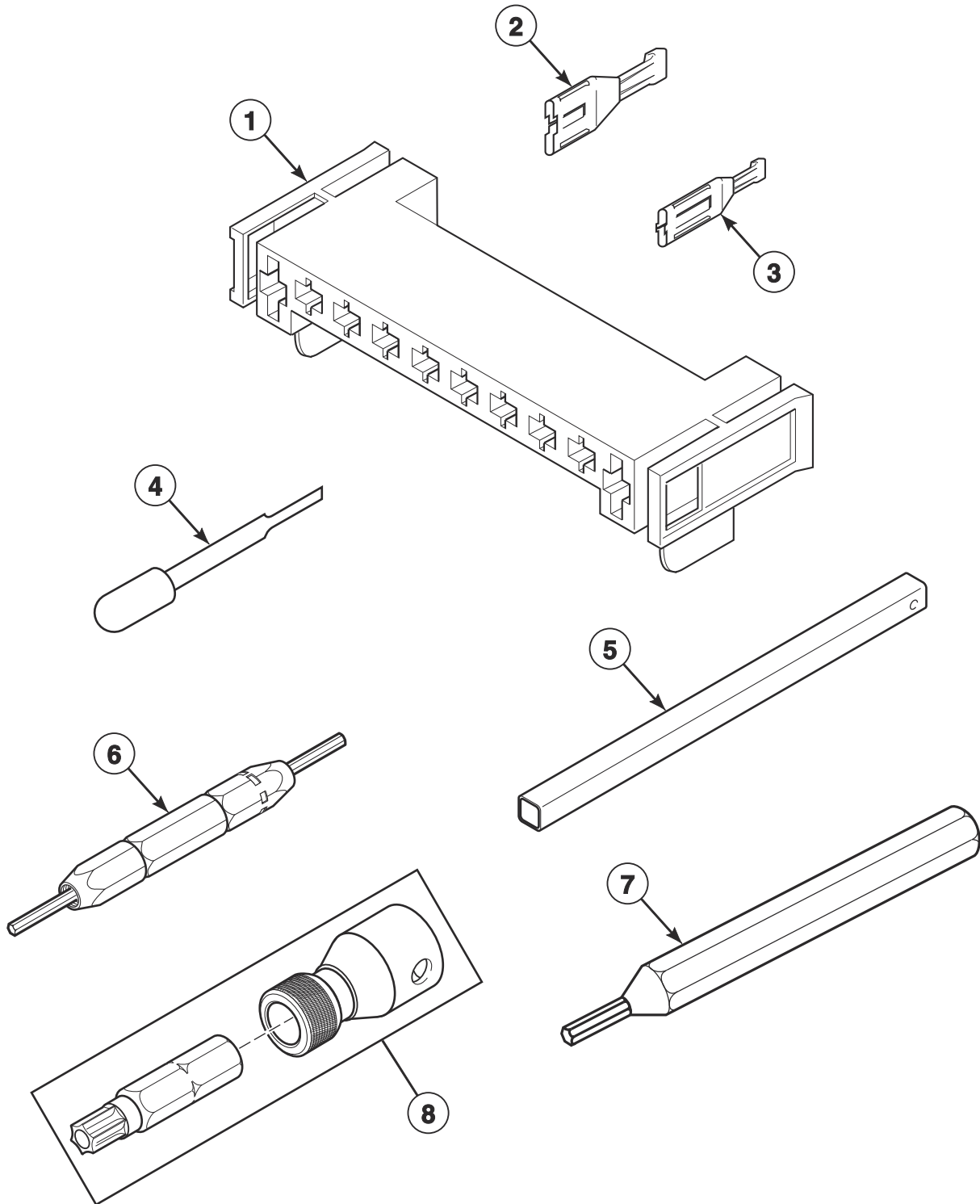


DRY2343P_D518516

Terminals

REF	PART NO.	DESCRIPTION	COMMENTS
1	00161	Grounding Clip	
2	00189	Female Spade Terminal	
3	00361	Female Piggyback Terminal	
4	58799	2 Circuit Connector	
5	00223	Female Spade Terminal	1/4 inch; (1) 18 gauge wire
	00121	Female Spade Terminal	1/4 inch; (2) 18 gauge wires or (1) 12 gauge wire
	00245	Spade Terminal	1/4 inch; (1) 22 gauge wire
6	00124	Female Spade Terminal	3/16 inch; (1) 18 gauge wire; .020 tab
	00156	Female Spade Terminal	3/16 inch; Thermostat wire; .032 tab
7	00222	Female Spade Terminal	1/4 inch
8	00347	Terminal	
9	00115	Female Spade Terminal	1/4 inch; (1) 18 gauge wire
10	90789	Receptacle Housing	
11	00359	Insulated Female Spade Terminal	1/4 inch
	00165	Insulated Female Terminal	3/16 inch
12	00110	Ring Terminal	(1) 18 gauge wire
	00111	Ring Terminal	(2) 18 gauge wires or (1) 12 gauge wire
	00319	Ring Terminal	(2) 18 gauge wires or (1) 14 gauge wire
13	00114	Female Spade Terminal	1/4 inch; Double connector
14	00139	Male Tab Terminal	1/4 inch; (2) 18 gauge wires or (1) 12 gauge wire
15	00344	Female Tab Terminal	
16	00252	Terminal	
17	44370401	1 Circuit Plug Housing	
	23033	9 Circuit Plug	
	23041	6 Circuit Plug	
18	26163	9 Circuit Receptacle	
	56855	12 Circuit Receptacle	
19	00221	Insulated Female Flag Terminal	1/4 inch
20	26708	6 Circuit Receptacle	
	26301	1 Circuit Receptacle	
21	54522	Plug	
22	D501333	12 Circuit Receptacle	
	34596	10 Circuit Receptacle	

Motor Connection Block and Tools



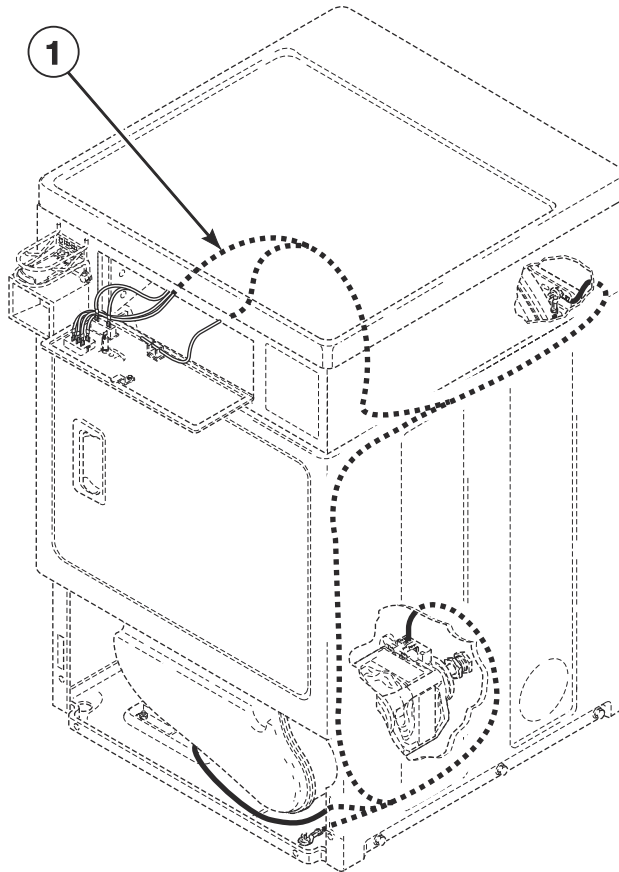
DRY2066P_D518516

Motor Connection Block and Tools

REF	PART NO.	DESCRIPTION	COMMENTS
1	D500338	10 Position Housing	
2	00255	Female Terminal	1/4 inch; For (1) 12 gauge wire
	00256	Female Terminal	1/4 inch; For (1) or (2) 18 gauge wires
3	00188	Female Terminal	For 1 or 2 wire application
4	283P4	Terminal Extractor Tool	For use on Molex connectors
5	310P4	Ratchet Extension Tool	1/4 inch; For coin drop installation
6	190P4	Extractor Tool	For use on electric dryer terminals
7	128P4	Extractor Tool	For use on gas dryer terminals
8	281P4	Torx Bit	T15 Tamper Resistant Bit
	282P4	Torx Bit	Use with 62853 Screw on access panel; T25 Tamper Resistant Bit
	292P4	Torx Bit	T20 Standard Bit
	93501	Torx Drive Tool	T10 Standard Bit

Wire Harnesses and Wires - Front Control Models (Drawing 1 of 3)

Models BD3NGBGS403UW01, BD3NGBSS403UN01, BD3NXAGS403UW01, HDENXAGS543DW01, HDGNXAGS113CW01, HDGNXAGS116CW01, HDGNXAGS116CWSS, HDGNXAGS123DW01, HDGNXAGS543DW01, HDGNYAGS113CW01, HDGNYAGS116CW01, JDEJGAGS303EW01, JDEJGAGW303EW01, JDEJRAGS303EW01, JDEJRAGW303EW01, JDEJXAGW303EW01, JDEVGAGS303EW01, JDEVRAGS303EW01, JDGJGAGS303EW01, JDGJGAGW303EW01, JDGJRAGS303EW01, JDGJRAGW303EW01, JDGJXAGW303EW01, JDGVGAGS303EW01, ND3NLBGS403NW22, ND3NLBGS403UG01, ND3NLBGS403UG01, ND3NLBGS403UG01, ND3NLBGS403UN01, ND3NLBSS403UN01, ND3NXAGS403UG01, ND3NXAGS403UN01, ND3NXASS403UN01, NDENGBGS303UG01, NDENXAGS303UG01, NDENXAGS303UW01, NDGNLBGS303UG01, NDGNXAGS113MW01, NDGNXAGS303EW01, NDGNXAGS303UG01, NDGNXAGS303ZW38, PD3JGBGS403UG01, PD3JXAGS403UG01, PDEJGBGS303UG01, PDGJGBGS303UG01, PDGJXAGS303UG01, SD3JGBGS403UW01, SD3NGBGS403UG01, SD3NGBGS403UN01, SD3NLBGS403UG01, SD3NLBGS403UN01, SD3NXAGS403UG01, SD3NXAGS403UN01, SD3RNBGS403UG01, SDEJXAGS553UG16, SDENGBGS303UG01, SDENGBGS543ZG01, SDENLBGS303UG01, SDENLBGS543ZG01, SDENXAGS303UG01, SDENXAGS543DW01, SDENXAGS543RW01, SDERXAGS303UG01, SDERXAGS433AW01, SDERXAGS543DW01, SDEWXAGS433LW01, SDGNBGS303UG01, SDGNLBGS303UG01, SDGNXAGS123DW01, SDGNXAGS303AW01, SDGNXAGS303BW01, SDGNXAGS303EG01, SDGNXAGS303UG01, SDGNXAGS543DW01, SDGRXAGS543DW01, SDGWXAGS303BW01 and TD3NGBGS403NW36



DRY2621P_D518516

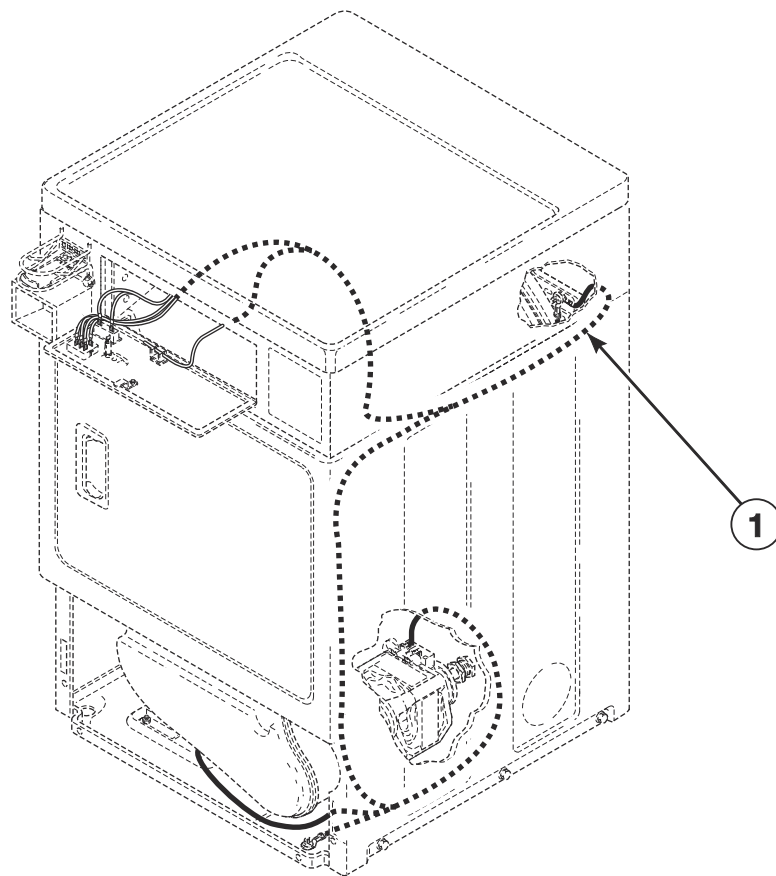
Wire Harnesses and Wires - Front Control Models (Drawing 1 of 3)

REF	PART NO.	DESCRIPTION	COMMENTS
	205550	Laundry IQ Internal Retrofit Kit	Models starting serial no. 1601000001
	45380	12 Gauge Wire	Orange; Order wire by foot; Order terminals and connectors as required
	45001	18 Gauge Wire	Black; Order wire by foot; Order terminals and connectors as required
	45102	18 Gauge Wire	Green/Yellow
	D516365	Gas Valve Harness	240 Volt
	D517261	Broken Belt Harness	Bypass
	D517236	Broken Belt Harness	
	D516367	Gas Valve Harness	Models HDGNXAGS113CW01, HDGNXAGS116CW01, HDGNXAGS123DW01, HDGNYAGS113CW01, HDGNYAGS116CW01, NDGNXAGS113MW01 and SDGNXAGS123DW01
	D517702	Gas Valve Harness	Models HDGNXAGS543DW01, JDGJGAGS303EW01, JDGJGAGW303EW01, JDGJRAGS303EW01, JDGJRAGW303EW01, JDGJXAGW303EW01, JDGJGAGS303EW01, NDGNXAGS303EW01, NDGNXAGS303UG01, NDGNXAGS303ZW38, PDGJGBGS303UG01, PDGJXAGS303UG01, SDGNXAGS303AW01, SDGNXAGS303BW01, SDGNXAGS303EG01, SDGNXAGS303UG01, SDGNXAGS543DW01, SDGRXAGS543DW01 and SDGWXAGS303BW01
	D518257	Ground Wire Assembly	Models ND3NLBGS403NW22, ND3NLBGS403UG01, ND3NLBGS403UG01, ND3NLBGS403UN01, ND3NLBSS403UN01, ND3NXAGS403UN01, ND3NXASS403UN01, SD3JGBGS403UW01, SD3NGBGS403UG01, SD3NGBGS403UN01, SD3NLBGS403UG01, SD3NLBGS403UN01, SD3RGBGS403UG01, SDENXAGS543DW01, SDENXAGS543RW01, SDERXAGS543DW01, SDEWXAGS433LW01 and TD3NGBGS403NW36
1	D512422P	Wire Harness Assembly	

NOTE: Individual wires are not available separately. Order complete harness, or order wire by the foot. When applying terminals to wires, it is recommended that the terminals be soldered to the wires.

Wire Harnesses and Wires - Front Control Models (Drawing 2 of 3)

Models BD3NGBGS403UW01, BD3NGBSS403UN01, BD3NXAGS403UW01, HDENXAGS543DW01, HDGNXAGS113CW01, HDGNXAGS116CW01, HDGNXAGS116CWSS, HDGNXAGS123DW01, HDGNXAGS543DW01, HDGNYAGS113CW01, HDGNYAGS116CW01, JDEJGAGS303EW01, JDEJGAGW303EW01, JDEJRAGS303EW01, JDEJRAGW303EW01, JDEJXAGW303EW01, JDEVGAGS303EW01, JDEVRAGS303EW01, JDGJGAGS303EW01, JDGJGAGW303EW01, JDGJRAGS303EW01, JDGJRAGW303EW01, JDGJXAGW303EW01, JDGVGAGS303EW01, ND3NLBGS403NW22, ND3NLBGS403UG01, ND3NLBGS403UG01, ND3NLBGS403UG01, ND3NLBGS403UN01, ND3NLBSS403UN01, ND3NXAGS403UG01, ND3NXAGS403UN01, ND3NXASS403UN01, NDENBGS303UG01, NDENXAGS303UG01, NDENXAGS303UW01, NDGNLBGS303UG01, NDGNXAGS113MW01, NDGNXAGS303EW01, NDGNXAGS303UG01, NDGNXAGS303ZW38, PD3JGBGS403UG01, PD3JXAGS403UG01, PDEJGBGS303UG01, PDGJGBGS303UG01, PDGJXAGS303UG01, SD3JGBGS403UW01, SD3NGBGS403UG01, SD3NGBGS403UN01, SD3NLBGS403UG01, SD3NLBGS403UN01, SD3NXAGS403UG01, SD3NXAGS403UN01, SD3RGBGS403UG01, SDEJXAGS553UG16, SDENBGS303UG01, SDENBGS543ZG01, SDENLBGS303UG01, SDENLBGS543ZG01, SDENXAGS303UG01, SDENXAGS543DW01, SDENXAGS543RW01, SDERXAGS303UG01, SDERXAGS433AW01, SDERXAGS543DW01, SDEWXAGS433LW01, SDGNBGS303UG01, SDGNLBGS303UG01, SDGNXAGS123DW01, SDGNXAGS303AW01, SDGNXAGS303BW01, SDGNXAGS303EG01, SDGNXAGS303UG01, SDGNXAGS543DW01, SDGRXAGS543DW01, SDGWXAGS303BW01 and TD3NGBGS403NW36



DRY2622P_D518516

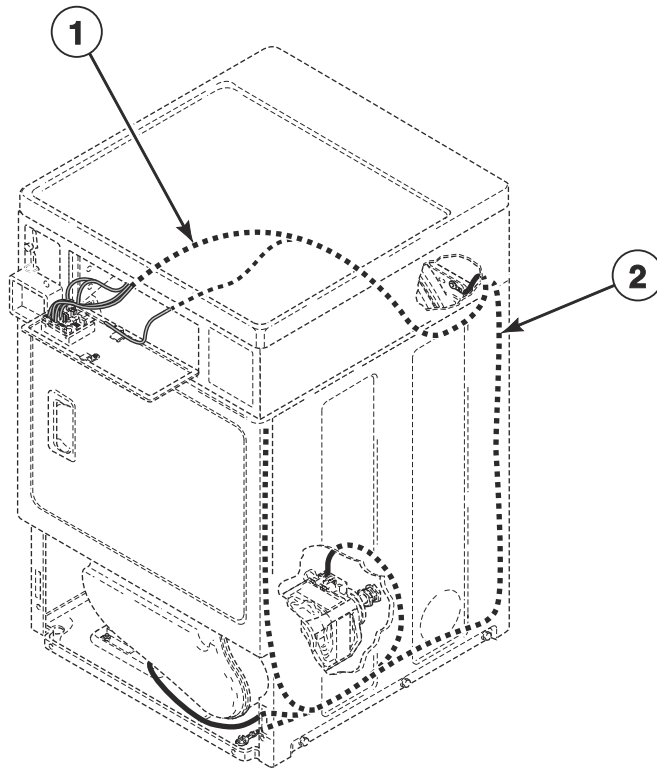
Wire Harnesses and Wires - Front Control Models (Drawing 2 of 3)

REF	PART NO.	DESCRIPTION	COMMENTS
1	D517478	Electric Harness	Models HDENXAGS543DW01, JDEJGAGS303EW01, JDEJGAGW303EW01, JDEJRAGS303EW01, JDEJRAGW303EW01, JDEJXAGW303EW01, NDENGBGS303UG01, NDENXAGS303UG01, NDENXAGS303UW01, PDEJGBGS303UG01, SDEJXAGS553UG16, SDENGBGS303UG01, SDENGBGS543ZG01, SDENLBGS303UG01, SDENLBGS543ZG01, SDENXAGS303UG01, SDENXAGS543DW01, SDENXAGS543RW01, SDERXAGS433AW01 and SDEWXAGS433LW01
	D518982	Electric Harness	Models JDEVGAGS303EW01, JDEVGAGS303EW01, SDERXAGS303UG01 and SDGRXAGS543DW01
	D517484	Electric Harness	Models BD3NGBGS403UW01, BD3NGBSS403UN01, BD3NXAGS403UW01, ND3NLBGS403NW22, ND3NLBGS403UG01, ND3NLBGS403UG01, ND3NLBGS403UN01, ND3NLBSS403UN01, ND3NXAGS403UG01, ND3NXAGS403UN01, ND3NXASS403UN01, PD3JGBGS403UG01, PD3JXAGS403UG01, SD3JGBGS403UW01, SD3NGBGS403UG01, SD3NGBGS403UN01, SD3NLBGS403UG01, SD3NLBGS403UN01, SD3NXAGS403UG01, SD3NXAGS403UN01 and TD3NGBGS403NW36
	D519086	Electric Harness	Model SD3RGBGS403UG01
	D517479	Gas Harness	Models HDGNXAGS113CW01, HDGNXAGS123DW01, HDGNXAGS543DW01, HDGNYAGS113CW01, JDGJGAGS303EW01, JDGJGAGW303EW01, JDGJRAGS303EW01, JDGJRAGW303EW01, JDGJXAGW303EW01, NDGNXAGS113MW01, NDGNXAGS303EW01, NDGNXAGS303UG01, NDGNXAGS303ZW38, PDGJGBGS303UG01, PDGJXAGS303UG01, SDGNXAGS123DW01, SDGNXAGS303AW01, SDGNXAGS303BW01, SDGNXAGS303EG01, SDGNXAGS303UG01, SDGNXAGS543DW01 and SDGWXAGS303BW01
	D518975	Gas Harness	Models HDGNXAGS116CWSS, NDGNLBGS303UG01, SDGNGBGS303UG01 and SDGNLBGS303UG01
	D518981	Gas Harness	Models JDGVGAGS303EW01 and SDGRXAGS543DW01
	D517973	Gas Harness	Models HDGNXAGS116CW01 and HDGNYAGS116CW01

NOTE: Individual wires are not available separately. Order complete harness, or order wire by the foot. When applying terminals to wires, it is recommended that the terminals be soldered to the wires.

Wire Harnesses and Wires - Front Control Models (Drawing 3 of 3)

Models HDENEAGS173CW01, HDENEAGS176CW01, HDENXAGS173CW01, HDENXAGS176CW01,
HDENXAGS176CWSS, HDENYAGS173CW01, HDENYAGS176CW01, HDENYAGS176CWSS,
NDENXAGS173MW01 and SDERXAGS433AW01



DRY2286P_D518516

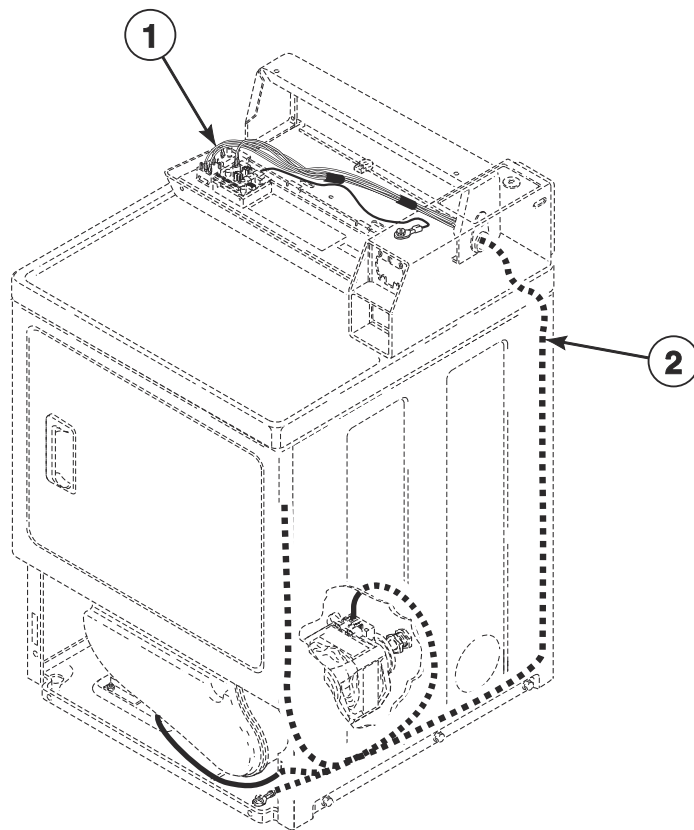
Wire Harnesses and Wires - Front Control Models (Drawing 3 of 3)

REF	PART NO.	DESCRIPTION	COMMENTS
	205550	Laundry IQ Internal Retrofit Kit	Models starting serial no. 1601000001
	45380	12 Gauge Wire	Orange; Order wire by foot; Order terminals and connectors as required
	45001	18 Gauge Wire	Black; Order wire by foot; Order terminals and connectors as required
	D517236	Broken Belt Harness	
1	D512422P	Wire Harness Assembly	
2	D517972	Electric Harness	Models HDENEAGS176CW01, HDENXAGS176CW01 and HDENYAGS176CW01
	D518976	Electric Harness	Models HDENXAGS176CWSS and HDENYAGS176CWSS
	D518982	Electric Harness	Model SDERXAGS433AW01
	D517478	Electric Harness	All other models

NOTE: Individual wires are not available separately. Order complete harness, or order wire by the foot. When applying terminals to wires, it is recommended that the terminals be soldered to the wires.

Wire Harnesses and Wires - Rear Control Models

Models HDENERGS173CW01, HDENERGS176CW01, HDENXRGS173CW01, HDENXRGS176CW01, HDENXRGS176CWSS, HDENYRGS173CW01, HDENYRGS176CW01, HDENYRGS176CWSS, HDGNERGS113CW01, HDGNERGS116CW01, HDGNXRGS113CW01, HDGNXRGS116CW01, HDGNXRGS113CW01, HDGNXRGS116CW01, SDENXRGS433AW01, SDENXRGS433LW01, SDENYRGS303NW22, SDERXRGS433AW01, SDGNXRGS303AW01, SDLNXRGS303LW01, SDLNXRGS543NW23, SDLNXRGS543PW01, SDMNXRGS083JW01 and SDMNXRGS103JW01



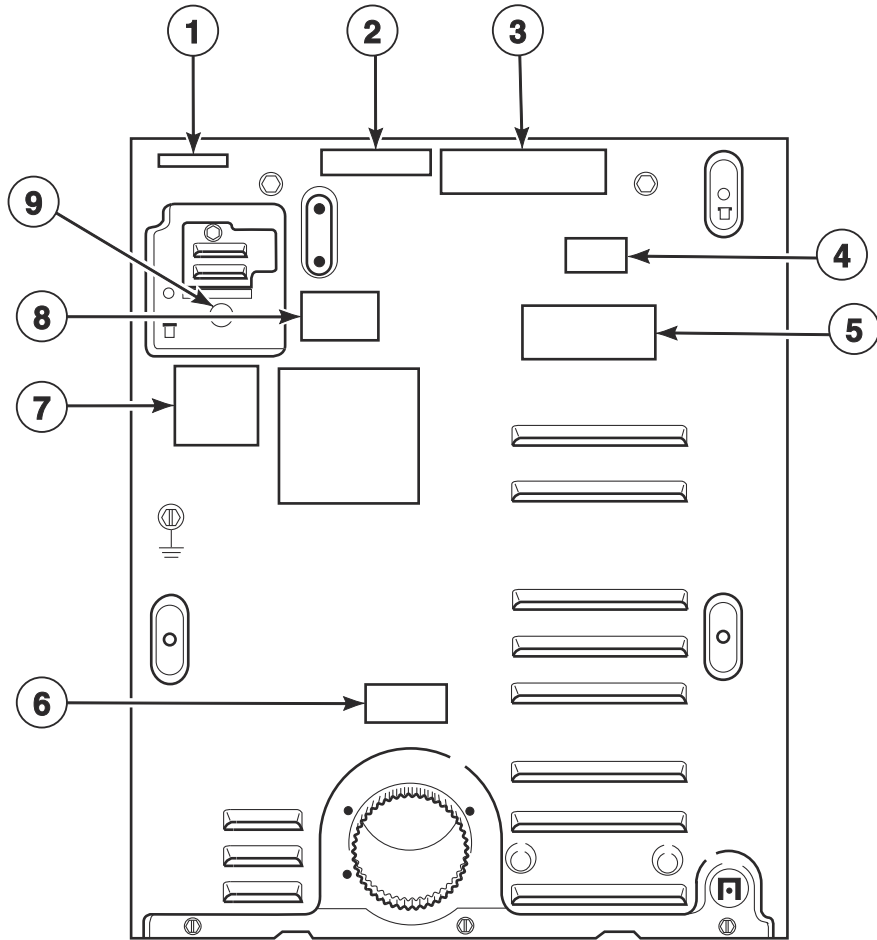
DRY2363P_D518516

Wire Harnesses and Wires - Rear Control Models

REF	PART NO.	DESCRIPTION	COMMENTS
	205550	Laundry IQ Internal Retrofit Kit	Models starting serial no. 1601000001
	45380	12 Gauge Wire	Orange; Order wire by foot; Order terminals and connectors as required
	45001	18 Gauge Wire	Black; Order wire by foot; Order terminals and connectors as required
	D518257	Ground Wire Assembly	Model SDENYRGS303NW22
	D517236	Broken Belt Harness	
	D516367	Gas Valve Harness	Models HDGNERGS113CW01, HDGNERGS116CW01, HDGNXRGS113CW01, HDGNXRGS116CW01 and HDGNYRGS113CW01
	D517702	Gas Valve Harness	Models SDGNXRGS303AW01, SDLNXRGS303LW01, SDLNXRGS543NW23 and SDLNXRGS543PW01
	D518257	Ground Wire Assembly	Models SDENXRGS433AW01, SDENXRGS433LW01, SDENYRGS303NW22 and SDERXRGS433AW01
1	D512422P	Wire Harness Assembly	
2	D517475	Gas Harness	Models HDGNERGS113CW01, HDGNXRGS113CW01, HDGNYRGS113CW01, SDGNXRGS303AW01, SDLNXRGS303LW01, SDLNXRGS543NW23 and SDLNXRGS543PW01
	D517481	Gas Harness	Models SDMNXRGS083JW01 and SDMNXRGS103JW01
	D517969	Gas Harness	Models HDGNERGS116CW01, HDGNXRGS116CW01 and HDGNYRGS116CW01
	D517474	Electric Harness	Models HDENERGS173CW01, HDENXRGS173CW01, HDENYRGS173CW01, SDENXRGS433AW01, SDENXRGS433LW01 and SDENYRGS303NW22
	D518972	Electric Harness	Models HDENXRGS176CWSS and HDENYRGS176CWSS
	D519084	Electric Harness	Model SDERXRGS433AW01
	D517968	Electric Harness	Models HDENERGS176CW01, HDENXRGS176CW01 and HDENYRGS176CW01

NOTE: Individual wires are not available separately. Order complete harness, or order wire by the foot. When applying terminals to wires, it is recommended that the terminals be soldered to the wires.

Label Location on Rear of Cabinet



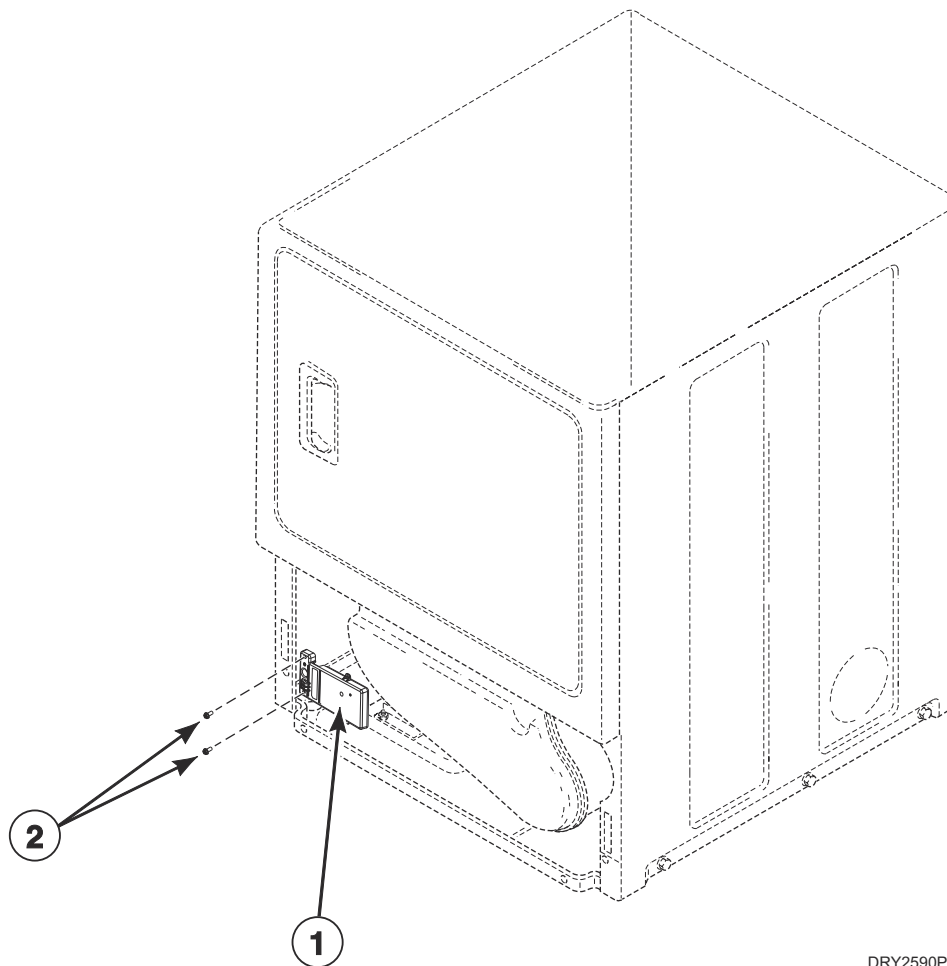
DRY2303P_D518516

Label Location on Rear of Cabinet

REF	PART NO.	DESCRIPTION	COMMENTS
1	D501288	Terminal Block Label	A, N, and GND
	D515445	Terminal Block Label	L1, L2, L3, N and GND
	D518545	Terminal Block Label	L1, L2 and GND
	D506072	Terminal Block Label	L, N, and GND
2	D505281	Disconnect Power Warning Label	
3	44324001	Warning Label	
4	D501140	Natural Gas Notice Label	
5	D502791	Venting Instruction Label	
6	D500497	Exhaust Warning Label	
7	D500496	20 Amp Notice Label	
8	807561	Warning Label	

Sound Sensor

Models HDENXAGS176CWSS, HDENXRGs176CWSS, HDENYAGS176CWSS, HDENYRGs176CWSS, HDGNXAGS116CWSS, JDEVGAGS303EW01, JDEVRAGS303EW01, JDGVGAGS303EW01, SD3RGBGS403UG01, SDERXAGS303UG01, SDERXAGS433AW01, SDERXAGS543DW01, SDERXRGs433AW01 and SDGRXAGS543DW01



DRY2590P_D518057

Sound Sensor

REF	PART NO.	DESCRIPTION	COMMENTS
1	205432	Sound Sensor	
2	203799	Screw	

Parts Index

A

Access Cover Plate	
D514356	91
Access Panel Assembly	
D514250DG	49
D514250WP	49
D514251	49
Access Panel Plate	
D510903	91
Adhesive	
D511637P	69, 71
Air Duct Assembly	
D518430	65
D518431	65
D518432	65
D518433	65
Anti-Seize Compound	
27604P	53, 57
Audit Switch Bracket	
800379	21

B

Blower Fan Assembly	
D510139P	57
Blower Housing	
D511969LG	57
D511969WP	57
Blower Housing Cover	
D516834	57
Blower Housing Seal	
D510238P	57
Bolt	
203798	15
29651	35, 39, 41
Booster and Holding Coil	
58804A	83
59063A	83
Bracket	
D510146	17
D516238	85
Bracket Assembly	
D518062	91
Broken Belt Harness	
D517236	117, 121, 123
D517261	117
Bumper Pad	
36226	41, 43
56128	91, 99
Burner Assembly	
D510149P	83, 85

C

Cabinet Rear Panel	
D517566	91

Cabinet Side Panel	
D510001DGP	93
D510001WP	93
D510002DGP	91
D510002WP	91
Card Reader Wire Harness Assembly	
800125P	9
Caution Label	
D500253	49
Central Pay Harness	
D511478	7, 9, 21
Clip	
201572	13, 31
Coin Drop	
38963P	11, 29
70441601P	11, 29
Coin Drop Assembly	
CK114	11, 29
38462P	11, 29
38463	11, 29
38464P	11, 29
38467	11, 29
38472	11, 29
38475	11, 29
38519	11, 29
38521	11, 29
39157	11, 29
70441602	11, 29
70482401	11, 29
Coin Drop Kit	
CK077	11, 29
CK123	11, 29
Coin Drop Wire Harness	
201104	13, 31
Coin Identification Paper	
38725	13, 31
Combustion Duct	
D510131	81
D510132	81
Connector, 2 Circuit	
58799	113
Connector, 3 Circuit	
58800	111
Contacto	
70482603	97
Contacto Bracket	
D511859	97, 99
Control Assembly	
D517522	7, 9, 21, 41
D517523	21, 41
D517524	21, 41
D518647	7, 9, 21
Control Bracket	
D514261	41
Control Hood	
D502567W	7
D511253W	9
Control Overlay	
D514367	7
D514368	9
D514369	25
D514370	25

N/A items do not appear in index.

D514479	25
D514485	7
D514654	7
D514655	9
D514656	43
D514657	25
D514658	43
D514926	25
D514928	43
D517425	25
D517618	43
D518079	25
D518081	7
D518082	9
D518404	25, 43
D518405	25
D518407	25
D518410	25
Control Panel	
D510067W	7
D511055W	9
803962BP	35
803962DG	35
803962WP	35
803970B	35
807660W	9
807812W	7
Control Panel and Bracket Assembly	
D513777B	23
D513777DG	23
D513777W	23
807641W	23
Control Panel Assembly	
D514454	43
D514455	43
D514468	43
Control Wrapper	
804627DG	41
804627W	41
804630B	43
804630DG	43
804630W	43
Control Overlay	
D514373	25
Conversion Kit	
756P3	77
Cylinder Assembly	
D505929LGP	69
D510265LGP	69
D510265WP	69
Cylinder Baffle	
D510102LG	69
D510102W	69
Cylinder Belt	
D511255P	53
Cylinder Glide	
D513710	65
Cylinder Glide Bracket	
D510145	65
Cylinder Roller	
D510708P	71
Cylinder Roller Bracket	
D510100	71
Cylinder Seal Assembly	
D510207P	69, 71

D

Damper	
58786	91
Diagnostic Wire Harness Assembly	
202869	43
Din Rail	
M412693	97
Directional Exhaust Kit	
528P3	91
Disconnect Power Warning Label	
D505281	17, 125, 127
Door Catch Assembly	
D510177	49
Door Handle Wedge	
D510129W	45, 47
Door Liner Assembly	
D516508	45
Door Liner Grill	
D503870LG	45
D503870W	45, 47
Door Pull	
D512947	45, 47
Door Pull and Wedge Kit	
D510103WP	45
D511213P	45
Door Strike	
D510181	45, 47
Drip Shield	
D514327	51
Dryer Base	
D514245	91
Dryer Door	
D510013DG	45
D510013WP	45
D512969	45
D515961W	47
Dryer Door Window	
D515681	47
Dual Coin Harness Assembly	
202871	7, 21
204915	7, 21
Dual Contactor Harness	
D514054	95
Dual Overlay	
39073	15

E

Electric Harness	
D517474	123
D517478	119, 121
D517484	119
D517968	123
D517972	121
D519086	119
Electrical Shock Label	
F8211201	65
Electronic Coin Drop Assembly	
70294103P	13, 31
70294104	13, 31
70294107	13, 31

N/A items do not appear in index.

70294109	13, 31
70294110	13, 31
70294111	13, 31
70294117	13, 31
70294120	13, 31
70294121	13, 31
70294122	31
70513306	13, 31
70513311	13, 31
Electronic Coin Drop Kit	
CK099	13, 31
CK100	13, 31
CK101	13, 31
CK103	13, 31
CK106	13, 31
CK108	13, 31
CK109	13, 31
CK110	13, 31
CK113	13, 31
CK115	13, 31
CK116	13, 31
CK117	13, 31
CK118	13, 31
CK120	13, 31
CK121	13, 31
End Cap	
210108W	9
210109W	9
End Stop	
F8449801	97
Ethernet Gateway Kit	
NK320	7, 9, 19, 23
Exhaust Duct	
D516196	91
Exhaust Warning Label	
D500497	125
Expansion Clip	
70030501	33, 37, 43
Extractor Tool	
128P4	115
190P4	115

F

Felt Pad	
D510189	67
Female Piggyback Terminal	
00361	113
Female Pin Terminal	
00117	111
00128	111
00130	111
Female Spade Terminal	
00114	113
00115	113
00121	113
00124	113
00156	113
00189	113
00222	113
00223	113
Female Tab Terminal	
00344	113
Female Terminal	
00188	115

00255	115
00256	115
Filter	
D514384P	109
Filter Harness	
D514040	107
D518532	107
D518533	107
804396	109
Flexible Venting Kit	
521P3	91
Front Bulkhead Assembly	
D510266P	65
Front Panel	
D510066DG	51
D510066WP	51
D512542	51
Front Panel Seal	
D511056	51

G

Gas Harness	
D517475	123
D517479	119
D517481	123
D517969	123
D517973	119
Gas Valve Assembly	
D516182	85
Gas Valve Coil	
D516699	85
Gas Valve Harness	
D516365	117
D516367	117, 123
D517702	117, 123
Gas Valve Mounting Bracket	
D510128	83
510128	85
Gas Valve, Bracket and Pipe Assembly	
D517606	83
D517607	83
D517608	83
D517612	83
D517613	83
Glide Kit	
RB170003	65
Ground Filter Harness	
D514039	109
D518534	109
Ground Wire Assembly	
D510550	123
D518257	73, 117, 123
Grounding Clip	
00161	113

H

Harness	
804832	7, 9
Harness Assembly	
802905	29

N/A items do not appear in index.

Harness Strap	
55881	111
Heat Duct Shroud	
D510101	81
Heater	
D511014P	77
Heater Assembly	
D510324P	79
D510326P	79
D510327P	79
D510329P	79
Heater Duct Assembly	
D510705P	77, 79, 81
Heater Harness	
D518531	95
Heater Kit	
964P3	79
Heater Kit Assembly	
61927	79
61929	79
61930	79
High Voltage Suppression Cable	
44239706	99
Hinge	
D511036	45, 47
Hinge Hole Plug	
D510186	51
Hold Down Kit	
526P3	91
Hood Back Panel	
804886	7
Housing, 10 Position	
D500338	115

I

ICM Gas Harness	
D516881	99
Idler Lever	
D516310	57
Idler Lever and Wheel Assembly	
D516792	57
Idler Spring	
D510185	57
Idler Wheel and Bearing Assembly	
D510142P	57
Igniter and Bracket Assembly	
D510184P	83
Ignition Control	
70483201P	99
Ignition Control Module Main Harness	
D517023	99
Instruction Label	
D518411	35
Insulated Female Flag Terminal	
00221	113
Insulated Female Spade Terminal	
00359	113
00360	111
Insulated Female Terminal	
00165	113

J

Jumper	
D517459	99
Jumper Wire Assembly	
D518529	77
Junction Box Assembly	
D516152	105
D516153	105
D516154	105
Junction Box Cover	
D514363	105
Junction Box Seal	
D514379P	105

K

Key	
54612	25

L

Label	
D503887	51
Laundry IQ Internal Retrofit Kit	
205550	117, 121, 123
Lead-In Cord	
D502599	103
D516705	103
D517577	103
D517578	103
D517579	103
D517581	103
D517699	103
202777	103
203344	103
Lead-In Cord Assembly	
D510505P	103
D515467	103
D516747	103
Lead-In Cord Kit	
61605P	103
Leveling Leg	
D510135	91
Limit Thermostat	
D510701	77, 79
D510702	81
Line Filter	
804844	109
804864	109
Liner and Seal Assembly	
D516509	47
Lint Filter	
D503980LG	67
Lint Filter Label	
D502781	49
D502804	49
Lock Assembly	
807761	25
Lock Cam	
804338	25

N/A items do not appear in index.

807760	25
Lock Kit	
27260P	25
L.P. Conversion Kit	
458P3	87
599P3	87
649P3	87
L.P. Orifice	
D503786	89
58755	89

M

Machine ID Control Assembly	
203361P	7, 9, 21, 41
Male Pin Terminal	
00116	111
00127	111
Male Tab Terminal	
00139	113
Meter Case Assembly	
202877W	15
807254DG	33
807396B	33
807396W	33
807406W	15
Meter Case Assembly Kit	
807401W	15
Meter Case Bracket Gasket	
35526	15
Meter Case Gasket	
26354	15
Meter Case Lockdown Bracket	
35525	15
Meter Case Locking Bracket Kit	
204616	15
Motor and Pulley Assembly	
D505843P	53
D505869P	53
D511629P	53
D516608P	53
Motor Hub Ring Kit	
590P3	55
Motor Mount	
D518517	57
Motor Mount Clamp	
D510180	53
Motor Pulley	
D500011	55
D500222	55
Motor Shield	
D514602	57
Motor Switch Bracket	
D516311	57
Mounting Tool Kit	
CK096	13, 31

N

Nameplate Overlay	
D518441	35
807971	35

Natural Gas Notice Label	
D501140	125
Network Controller Kit	
NK220	7, 9, 19, 23
Network Retrofit Kit	
203328	7, 9, 19, 23
Notice Label, 20 Amp	
D500496	125
Nut	
201216	13
27222	17
28447	73
29786	11, 15, 29, 31
29787	107
36020	39
44087201	33
44087301	63
51236	107
52566	7, 57
56156	57, 71
N.G. Conversion Kit	
402P3	87
459P3	87
650P3	87
N.G. Orifice	
D503776	89
D503778	89
D503779	89
D503780	89
D510517	89

O

Operating Instructions Label	
D514393	35
D514929	35
D517764	35, 37
Opto Coupler	
200674P	11
Outlet Cover	
D500820	77, 81
D518121	79
D518524	77, 79, 81
Output Board Shield	
D514420	93
Output Control Assembly	
D517191P	93
D517319	93
Overlay	
D514873	37
201091	15

P

Panel Locator	
56079	49, 51, 91
Pinch Warning Label	
F8615701	65
Plug	
23040	111
54522	113
Plug, 2 Circuit	
56266	111

N/A items do not appear in index.

56448	111
Plug, 6 Circuit 23041	113
Plug, 9 Circuit 23033	113
Porcelain Touch-Up Paint 122P4P	91
Power Cord Assembly D517580	103
Power Harness D517689	95
Power Supply Harness D519054	43
Pushbutton Switch M413431	99

R

Ratchet Extension Tool 310P4	115
Rear Access Panel 804614	43
807646	33, 37
Rear Bulkhead Assembly D511082P	71
D518128	71
Rear Panel 804884	9
Rear Wrapper Brace 805345	41
Receptacle Housing 90789	113
Receptacle, 1 Circuit 26301	113
Receptacle, 10 Circuit 34596	113
Receptacle, 12 Circuit D501333	113
56855	113
Receptacle, 2 Circuit 56265	111
56451	111
Receptacle, 3 Circuit 23039	111
36170	111
Receptacle, 6 Circuit 26708	113
Receptacle, 9 Circuit 26163	113
Retaining Ring 23748	57, 71
Ring Terminal 00110	113
00111	113
00319	113
Roller Kit RB170002	71
Rubber Foot D501855	91

S

Screw	
D500226	45, 47, 65
D500824	57
D501086	7, 9
D501285	67, 73
D501524	25
D502535	59
D503661	19, 27, 75, 105
D503673	15
D503688	7, 9, 17, 35, 37, 41, 43, 51, 57, 65, 71, 73, 77, 79, 81, 83, 85, 91, 95, 99, 105, 107
D505870	47
D512921	91
D514428	93
D516261	99
M405188	35, 51, 71
02916	7, 9
20530	75, 101
23008	39
23222	77, 79, 83
28448	73
31260	57
33562	49
35528	7, 9
36048	15
38272	99
39733	41, 49, 51, 91
51782	81, 83, 85
52864	7, 9, 65
56124	83, 85
61199	73
62588	69
62853	49
70240301	33, 37
803527P	43
804667	93
Screw Orifice 58719	89
Seal Kit RB170001	69, 71
Secondary Coil 58804B	83
59063B	83
Security Cabinet Assembly 804149WP	37
Security Kit 905P3	7, 9
Sensor D510213	83
Serial Pay Control Assembly 807714	7, 9, 27
Serial Pay Harness F8713906	7, 9, 27
Service Door Assembly 39874WP	15
Shaft 56461P	57, 71
Shock Warning Label F8614201	17
Single Overlay 38717	15
Snap Bushing F140938	91

N/A items do not appear in index.

Spade Terminal 00245	113
Spark Electrode 44328701P	85
Speed Clip 28835	51
Strain Relief D517490	101
D517491	101
D517492	101
Strain Relief Adapter D502496	101
Switch D512973	51
D516391	57
70529301	15, 35
Switch Bracket D516237	99

T

Terminal 00252	113
00347	113
Terminal Block Assembly D505876	73, 75
D510190P	73
Terminal Block Label D501288	125
D506072	125, 127
D515445	125
Terminal Block Shield D517715	73, 75
Terminal Block Support Bracket D505875	75
Terminal Extractor Tool 283P4	115
Thermal Fuse Assembly D518542	77, 79
Thermistor M414704	59
Thermistor Assembly D502366	61
D510523	61
Thermostat D510703	81
Thermostat Cover D502194	59
Top Hinge D510136	91
Top Kit D511527WP	17
Top Mounting Bracket D504228	39
Top Panel 803868WP	39
803869	39
804023DG	39
804684	41
804685DG	41
804685WP	41
Top Panel Brace Assembly 804613	43

Top Panel Guide 803761	41
Top Panel Kit D511530WP	17
Torx Bit 281P4	115
282P4	115
292P4	115
Torx Drive Tool 93501	115
Transformer D513763P	95
202757	7, 9, 19
202758	9, 99
204380	19
Transformer Harness D514069	19, 43
D514071	7, 9
D514072	19
D514073	9
804795	19
805428	19
Transformer Shield D514334	95

U

USB Gateway Kit NK330	7, 9, 19, 23
USB IR Interface Kit 203346	7, 9, 19, 23

V

Venting Instruction Label D502791	125
--	-----

W

Warning Label D500049	65
D500314	65
D500316	17
D512263	51
D514226	49
D514410	49
D514866	49
D514867	49
D516514	49
44324001	65, 125
807561	125
Warning/Caution Label D516512	49
Washer D504082	71
M400017	7
200608	7, 9
28449	73
29443	63
52549	57, 71
Window Trim D515956W	47

N/A items do not appear in index.

Wire Assembly	
D518255	79
D518256	79
Wire Clip	
D504034	111
687500	111
Wire Guard	
201595P	11, 29
Wire Harness Assembly	
D512422P	117, 121, 123
Wireless Network Control Assembly	
807211	27
Wireless Network Harness	
F8674006	27
Wireless Network Kit	
204689	7, 9, 19, 23
Wire, 12 Gauge	
45380	117, 121, 123
Wire, 18 Gauge	
45001	117, 121, 123
45102	117
Wiring Harness Assembly	
202868	19, 21
202869	9
204916	9, 19, 21
Wrapper Assembly	
804103W	33
804104B	33
804104DG	33
804104W	33
804112W	37

Numerics

1 Circuit Plug Housing	
44370401	113
