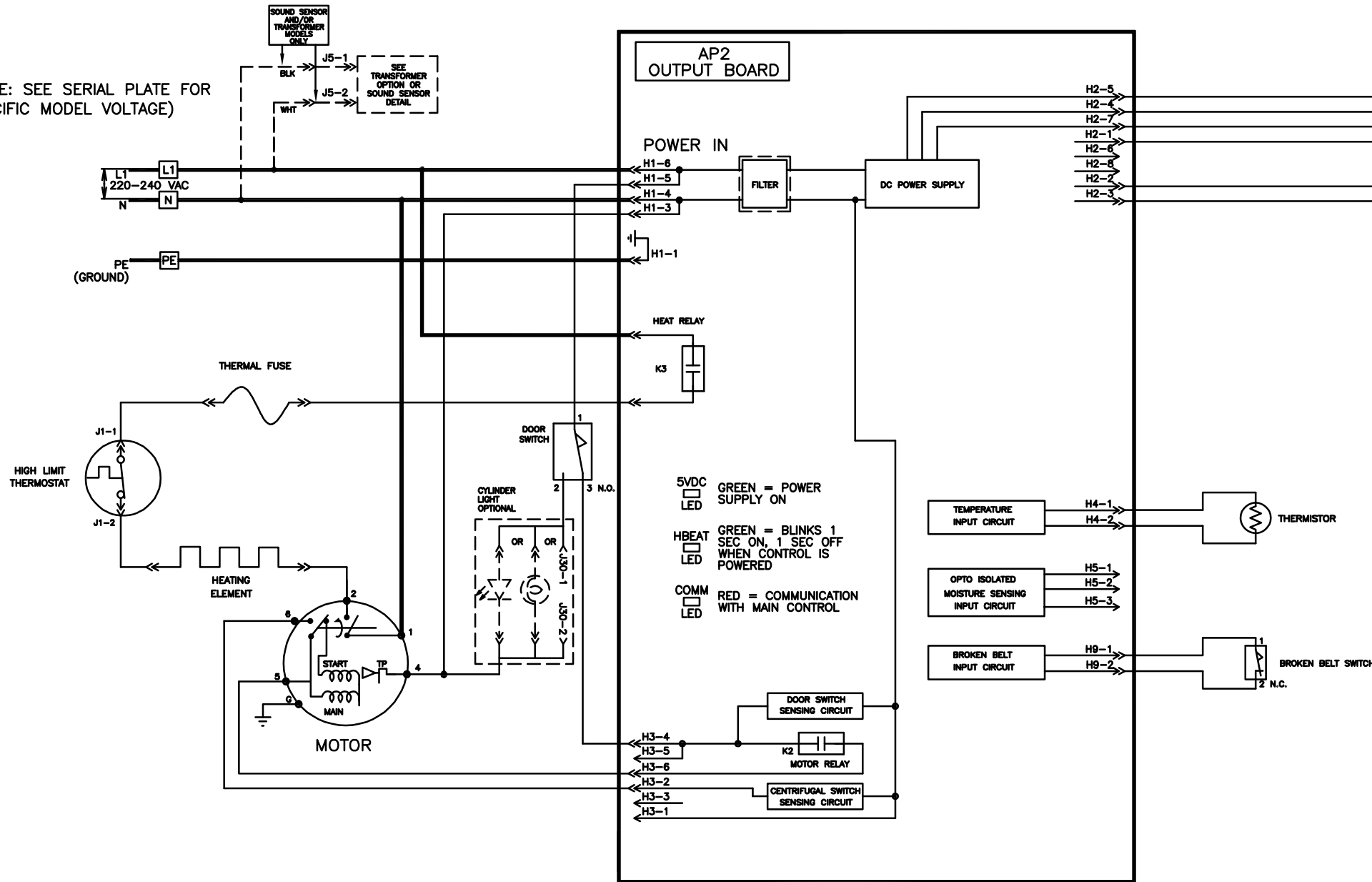


(NOTE: SEE SERIAL PLATE FOR SPECIFIC MODEL VOLTAGE)



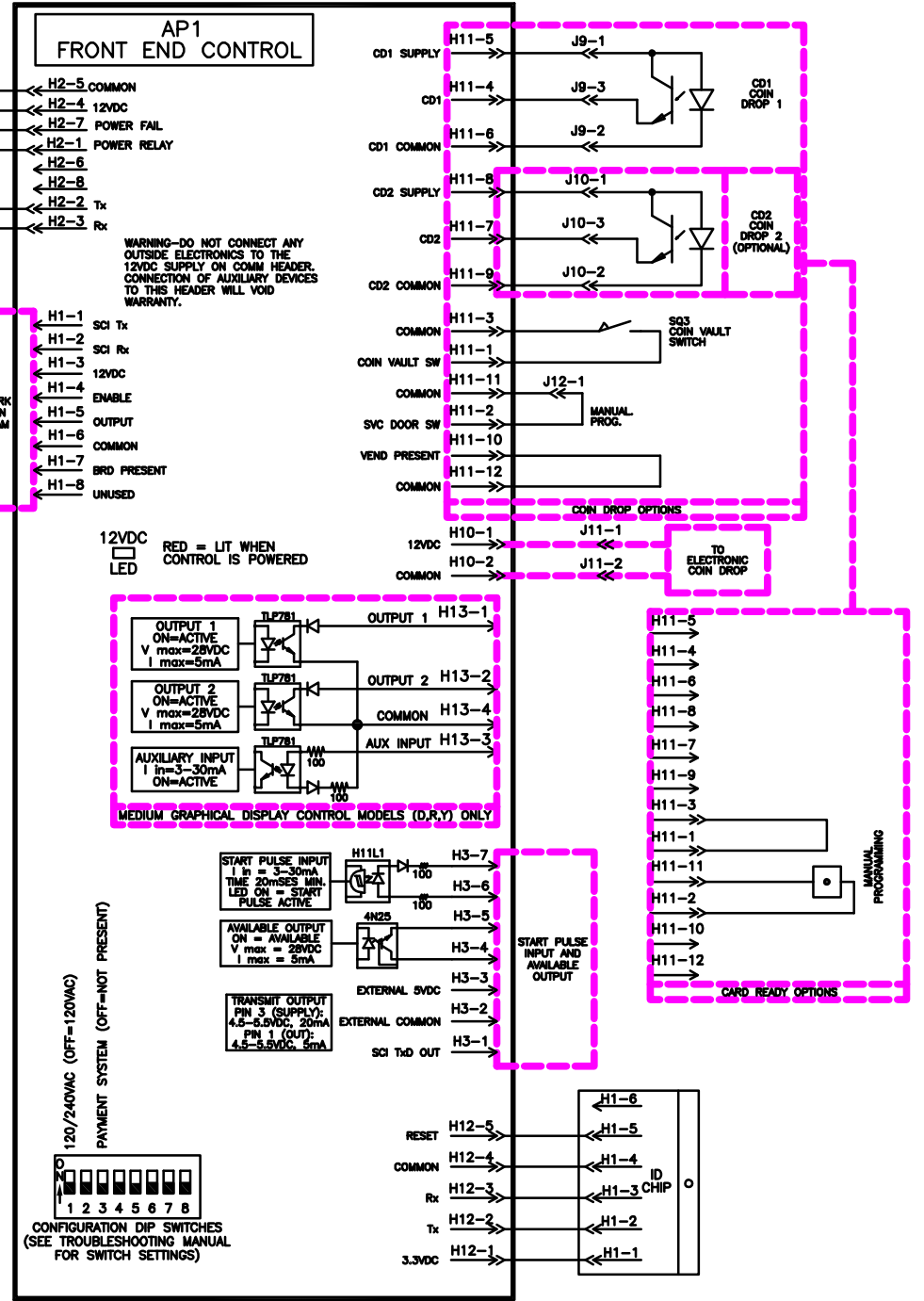
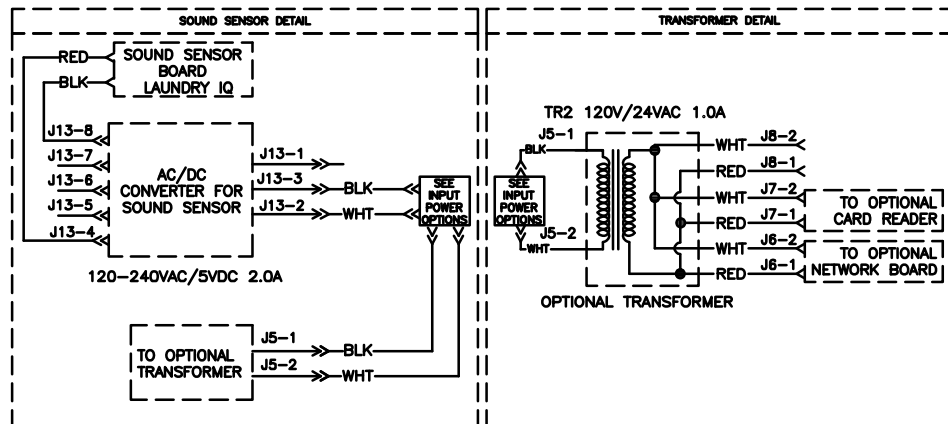
- LEGEND OF COMPONENTS**
- TP - THERMAL PROTECTION
  - TR2 - TRANSFORMER
  - AP2 K1 - OUTPUT BOARD POWER RELAY
  - AP2 K2 - MOTOR RELAY
  - AP2 K3 - HEAT RELAY
  - SQ3 - COIN VAULT SWITCH (N.O.)
  - SQ4 - SERVICE DOOR SWITCH (N.O.)
  - CD1 - COIN DROP #1
  - CD2 - COIN DROP #2
  - DASHED LINES = OPTIONAL (NOT ON ALL MODELS)

**NOTE**  
POWER SUPPLY WIRING MUST HAVE CORRECT POLARITY AND GROUNDING FOR THE UNIT TO OPERATE CORRECTLY.

**WARNING**  
Failure to install, maintain, and/or operate this machine according to manufacturer's instructions may result in conditions which can produce bodily injury and/or property damage.

**REMARQUE**  
Le câblage d'alimentation électrique doit être correctement polarisé et mis à la terre pour que l'appareil fonctionne correctement.

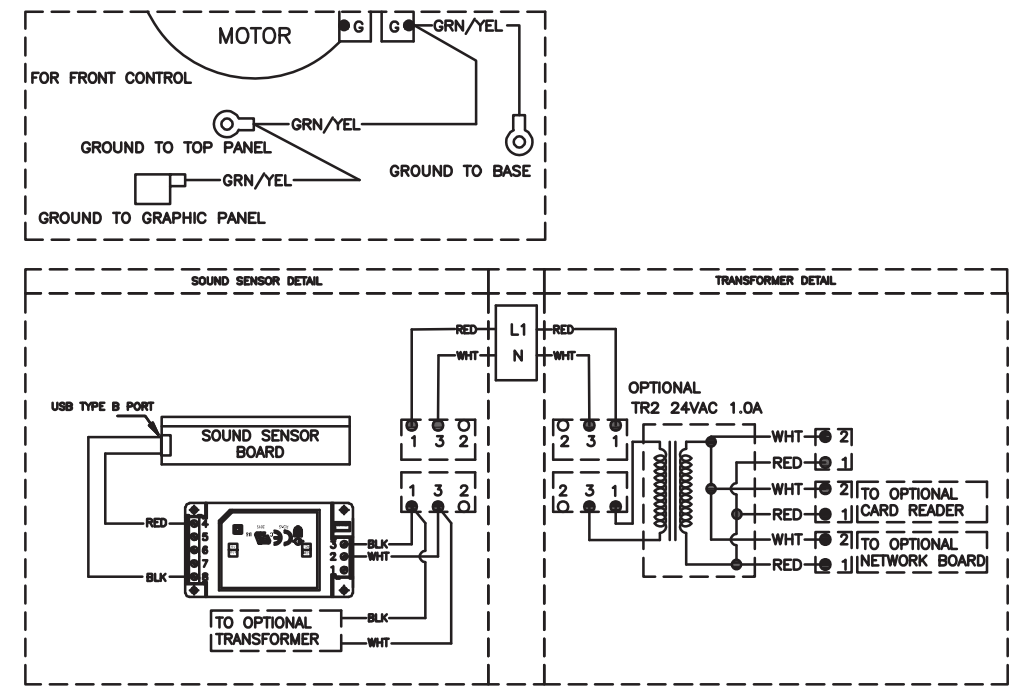
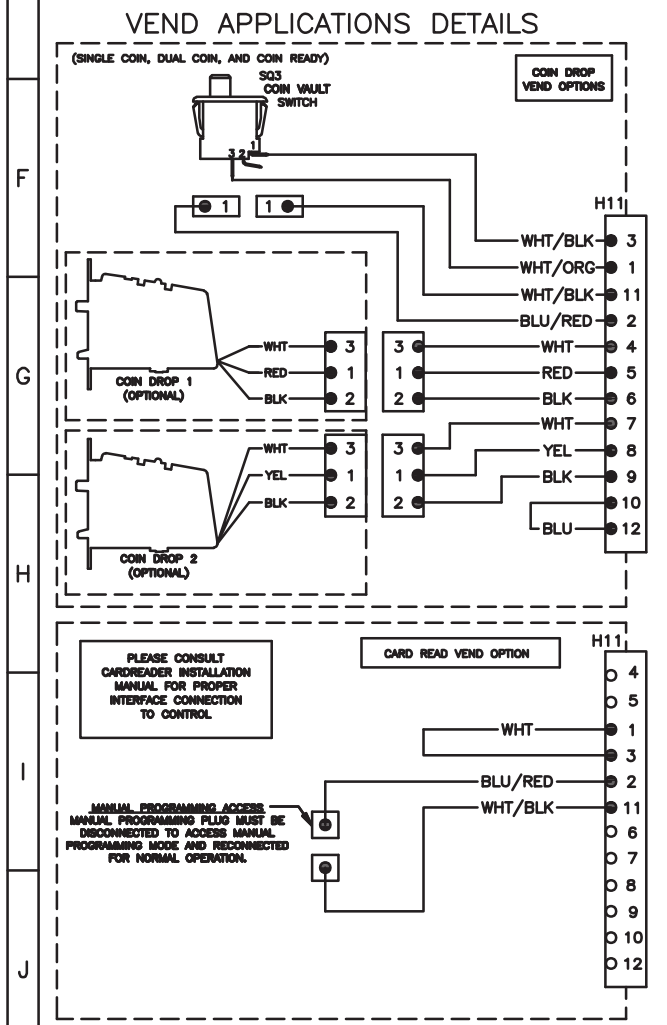
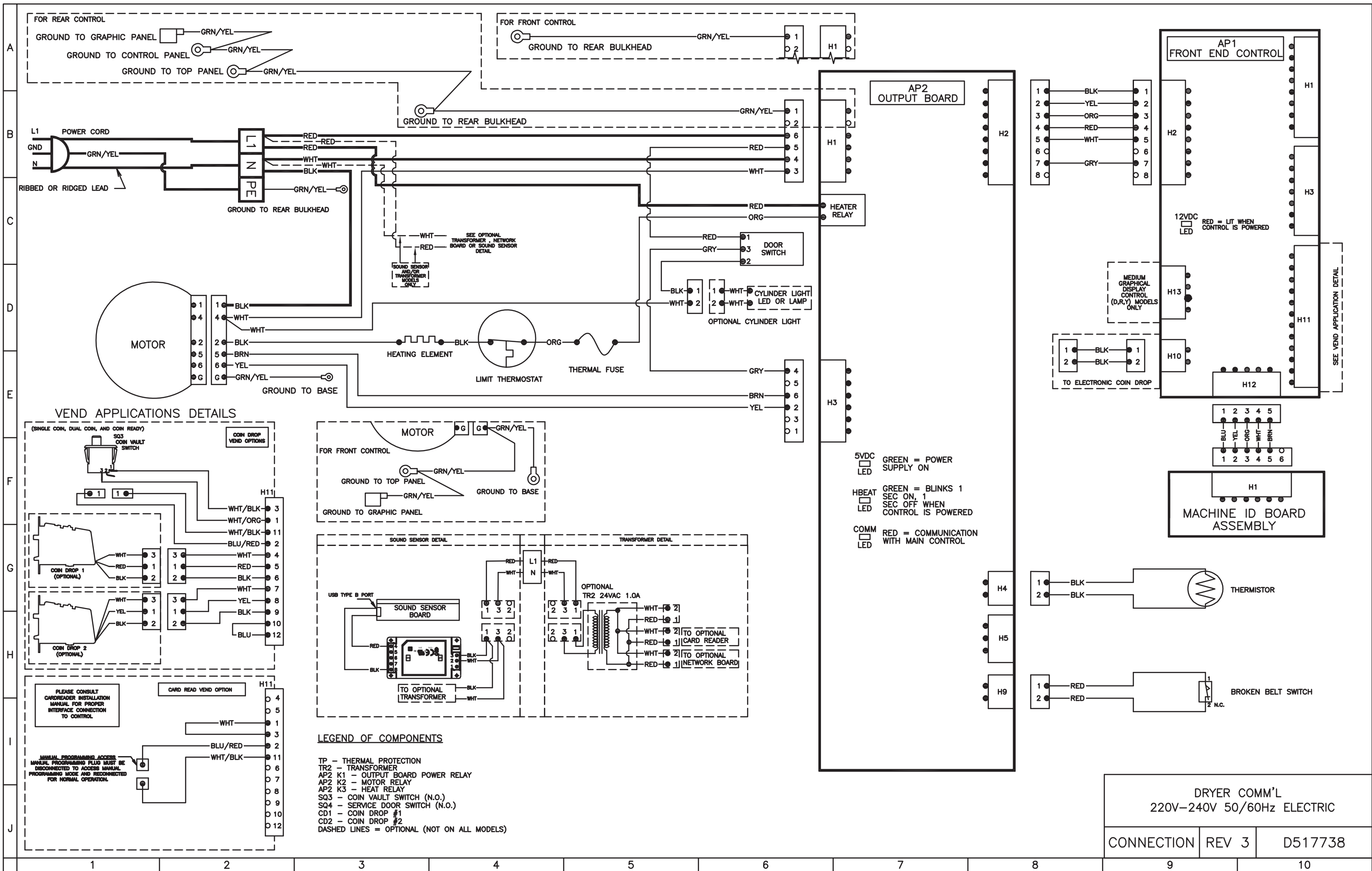
**AVERTISSEMENT**  
Si vous n'installez pas, n'effectuez pas les opérations d'entretien et/ou ne faites pas fonctionner cette machine conformément aux instructions du fabricant, vous favorisez les situations dangereuses tant au niveau des blessures corporelles qu'à celui des dommages à la propriété qui pourraient en résulter.



- MACHINE ERROR CODES**
- Er,oP = Open Thermistor
  - Er,SH = Shorted Thermistor
  - Er,ro = Centrifugal Switch
  - Er,nS = Motor Output shorted
  - Er,59 = Door Input Acquisition
  - Er,60 = Centrifugal Switch Input Acquisition
  - Er,61 = High Limit Thermostat Input Acquisition
  - Er,66 = Broken Belt
  - Er,Co = Communications
  - Er,nr = Output Board Not Ready
  - Er,bS = Board Shorted
  - Er,id = Board ID
- CONSULT TROUBLESHOOTING MANUAL TO INSURE THE PROPER PART IS IDENTIFIED THAT IS CAUSING THE ERROR CONDITION.

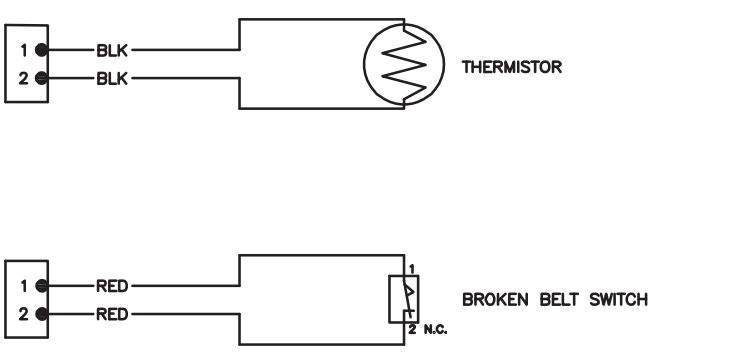
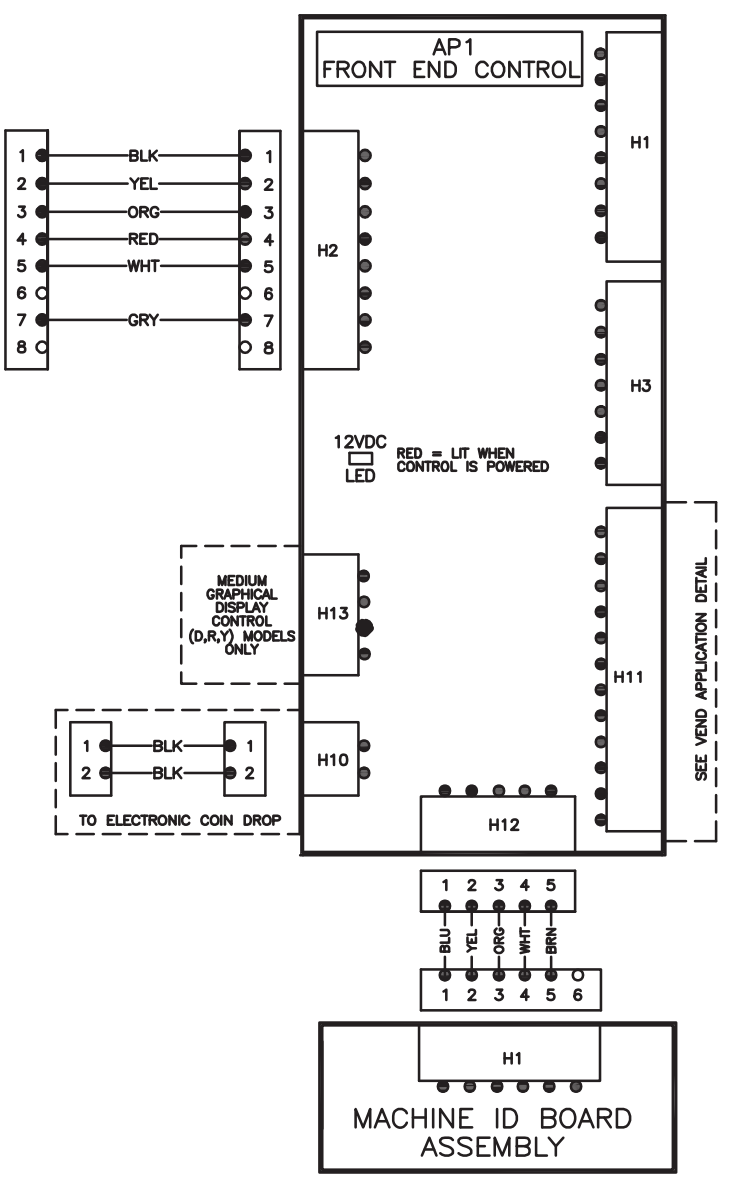
DRYER COMM'L  
220V-240V 50/60Hz ELECTRIC

SCHEMATIC REV 3 D517738



- TP - THERMAL PROTECTION  
 TR2 - TRANSFORMER  
 AP2 K1 - OUTPUT BOARD POWER RELAY  
 AP2 K2 - MOTOR RELAY  
 AP2 K3 - HEAT RELAY  
 SQ3 - COIN VAULT SWITCH (N.O.)  
 SQ4 - SERVICE DOOR SWITCH (N.O.)  
 CD1 - COIN DROP #1  
 CD2 - COIN DROP #2  
 DASHED LINES = OPTIONAL (NOT ON ALL MODELS)

- 5VDC LED GREEN = POWER SUPPLY ON
- HBEAT LED GREEN = BLINKS 1 SEC ON, 1 SEC OFF WHEN CONTROL IS POWERED
- COMM LED RED = COMMUNICATION WITH MAIN CONTROL



DRYER COMM'L  
 220V-240V 50/60Hz ELECTRIC

CONNECTION	REV 3	D517738
------------	-------	---------